

5-5223955-2 ✓ ACTIVE

## Z-PACK 2mm HM

TE Internal #: 5-5223955-2

Rectangular Power Connectors, Connector Assembly, Receptacle, Board-to-Board, 3 Position, 3 mm [.118 in] Centerline, Z-PACK 2mm HM

[View on TE.com >](#)



Connectors > Power Connectors > Rectangular Power > Rectangular Power Connectors



Rectangular Power Connector Type: **Connector Assembly**

Connector & Housing Type: **Receptacle**

Connector System: **Board-to-Board**

Number of Positions: **3**

Centerline (Pitch): **3 mm [.118 in]**

### Features

#### Product Type Features

Rectangular Power Connector Type	Connector Assembly
Connector & Housing Type	Receptacle
Connector System	Board-to-Board
Sealable	No
Connector & Contact Terminates To	Printed Circuit Board

#### Configuration Features

Number of Positions	3
PCB Mount Orientation	Vertical
Number of Power Positions	3
Number of Signal Positions	0
Number of Rows	1

#### Electrical Characteristics

Operating Voltage	250 VDC
-------------------	---------

#### Contact Features

Contact Mating Area Plating Material	Gold, Gold Flash over Palladium Nickel
Contact Underplating Material	Nickel
Contact Base Material	Copper Alloy
Contact Current Rating (Max)	16 A



Contact Retention Within Housing	With
Contact Type	Receptacle
PCB Contact Termination Area Plating Material	Tin
Contact Mating Area Plating Material Thickness	.76 $\mu\text{m}$ [30 $\mu\text{in}$ ]

### Termination Features

Termination Method to Printed Circuit Board	Through Hole - Press-Fit
---	--------------------------

### Mechanical Attachment

Connector Mounting Type	Board Mount
-------------------------	-------------

### Housing Features

Centerline (Pitch)	3 mm [.118 in]
Housing Color	Gray
Housing Material	Thermoplastic

### Usage Conditions

Operating Temperature Range	-55 – 125 °C[-67 – 257 °F]
-----------------------------	----------------------------

### Operation/Application

Circuit Application	Power
---------------------	-------

### Industry Standards

UL Flammability Rating	UL 94V-0
Glow Wire Rating	Standard Part - Not Glow Wire

### Packaging Features

Packaging Method	Box & Tube, Tube
------------------	------------------

## Product Compliance

For compliance documentation, visit the product page on [TE.com](https://www.te.com)>

EU RoHS Directive 2011/65/EU	Compliant
EU ELV Directive 2000/53/EC	Compliant
China RoHS 2 Directive MIIT Order No 32, 2016	No Restricted Materials Above Threshold
EU REACH Regulation (EC) No. 1907/2006	Current ECHA Candidate List: JUNE 2023 (235) Candidate List Declared Against: JUNE 2023 (235) Does not contain REACH SVHC
Halogen Content	Not Low Halogen - contains Br or Cl > 900 ppm.

Solder Process Capability

Not applicable for solder process capability

Product Compliance Disclaimer

This information is provided based on reasonable inquiry of our suppliers and represents our current actual knowledge based on the information they provided. This information is subject to change. The part numbers that TE has identified as EU RoHS compliant have a maximum concentration of 0.1% by weight in homogenous materials for lead, hexavalent chromium, mercury, PBB, PBDE, DBP, BBP, DEHP, DIBP, and 0.01% for cadmium, or qualify for an exemption to these limits as defined in the Annexes of Directive 2011/65/EU (RoHS2). Finished electrical and electronic equipment products will be CE marked as required by Directive 2011/65/EU. Components may not be CE marked. Additionally, the part numbers that TE has identified as EU ELV compliant have a maximum concentration of 0.1% by weight in homogenous materials for lead, hexavalent chromium, and mercury, and 0.01% for cadmium, or qualify for an exemption to these limits as defined in the Annexes of Directive 2000/53/EC (ELV). Regarding the REACH Regulation, the information TE provides on SVHC in articles for this part number is based on the latest European Chemicals Agency (ECHA) 'Guidance on requirements for substances in articles' posted at this URL: <https://echa.europa.eu/guidance-documents/guidance-on-reach>

## Compatible Parts



TE Part # 5-5223961-1  
TE UPM R/A Header 3P HC Power, LLL



TE Part # 1645498-1  
UNV,PWR,MDL.3 POS. VERT.HDR, 15MM STACK



TE Part # 1892711-1  
Assy 2x3 MINIPAK HDE seq1



TE Part # 5-5223963-1  
UPM R/A Header 3P HC Power Conn, MLM



TE Part # 5-5223968-1  
TE UPM R/A Header 3P HC Power, LMM



TE Part # 1892711-2  
Assy 2x3 MINIPAK HDE seq1



TE Part # 1892711-3  
Assy 2x3 MINIPAK HDE seq1



TE Part # 1892731-2  
Assy 2x6 MINIPAK HDE seq2



TE Part # 1926731-2  
ASSY 15S4P MINIPAK HDL



TE Part # 5-5223955-4  
UPM VERTICAL REC 3P CONN, HI CURRENT



TE Part # 5-5223955-5  
UPM VER REC POWER, HI CURRENT



TE Part # 5-5223963-4  
UPM R/A Header 3P HC Power Conn. MLM



TE Part # 5-5223974-1  
UPM PIN ASSY, HI CURRENT

TE Part # 1645636-1  
UPM EXPANDED RCPT ASSEMBLY, SELECT LOAD

TE Part # 5-1645620-1  
UPM RCPT, HI CURRENT




TE Part # 5120950-2  
UPM RCPT ASSY W/EON

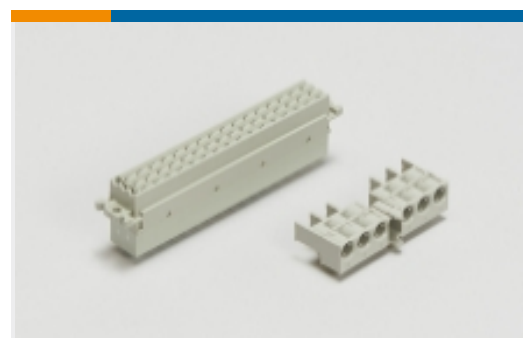
TE Part # 5646955-7  
UPM R/A HEADER 5P POWER CONNECTOR

TE Part # 5646956-7  
UPM EXPANDED PIN ASSY


## Also in the Series | Z-PACK 2mm HM



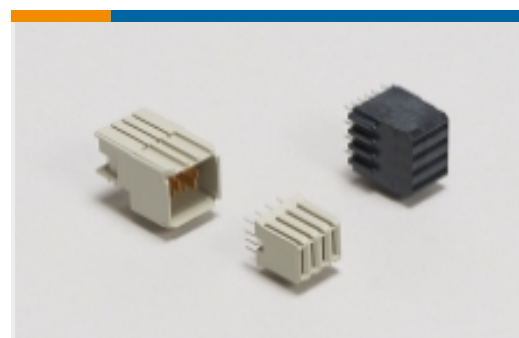
Backplane Coding Keys(60)




Backplane Connector Housings(4)



Backplane Guide Hardware(37)



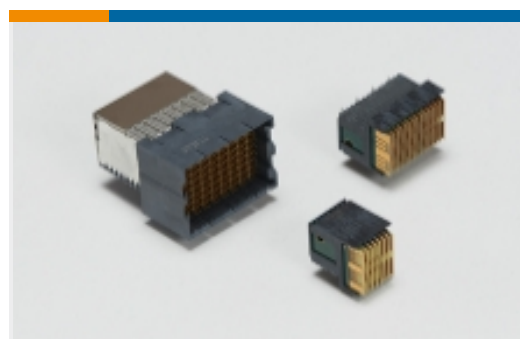
Backplane Power Connectors(6)




Board-to-Board Connector Contacts(2)



Hard Metric Backplane Connectors (269)



High Speed Backplane Connectors(1)



Insertion & Extraction Tools(2)



PCB Connector Covers(4)



PCB Connector Shrouds(39)



PCB Ferrules & Shields(19)



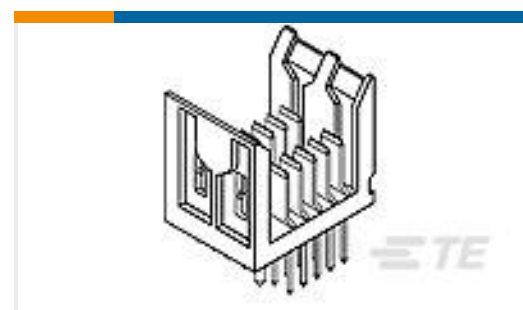
Rectangular Power Connectors(87)

## Customers Also Bought

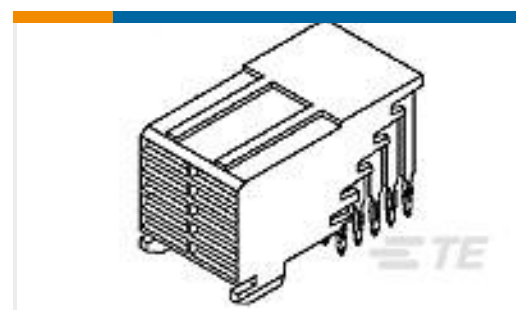




TE Part #5786557-7  
68 50SR VRT RCPT, FL TOP, ACT PN



TE Part #5536642-1  
FB-5R, ASY, 010, PWR, HDR, EN, 4.25



TE Part #5536649-1  
2MM FB, ASY, 010, PWR, REC, EN, SEQ



TE Part #5223985-1  
UPM KEYED GUIDE PIN



TE Part #2-2176263-4  
RN 0402 42K2 0.1% 10PPM 5K RL



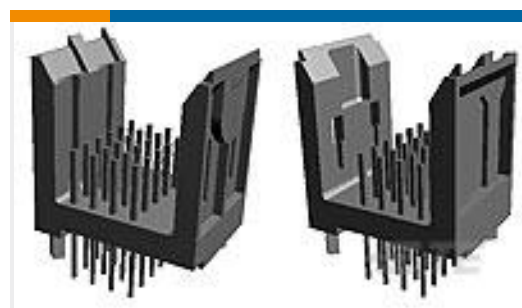
TE Part #1903978-1  
POWER MODULE 4POS. REC. ASSY,



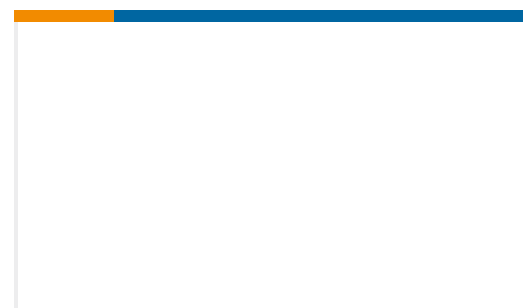
TE Part #2329186-1  
HM-EZD+, 2PAIRS, 10COLS, VERTICAL,  
ASSEMBLY



TE Part #8-2176422-3  
TLRP 2512 3.0W R006 1% 75PPM 4K RL



TE Part #5536504-1  
2MM FB, ASY, 024, SIG, HDR, EN, 6.50



TE Part #936021-1  
SHROUD FOR Z-PACK HM 2MM(11X5)

## Documents

### CAD Files

#### 3D PDF

3D

#### Customer View Model

[ENG\\_CVM\\_CVM\\_5-5223955-2\\_A2.2d\\_dxf.zip](#)

English

#### Customer View Model

[ENG\\_CVM\\_CVM\\_5-5223955-2\\_A2.3d\\_igs.zip](#)

English

#### Customer View Model

[ENG\\_CVM\\_CVM\\_5-5223955-2\\_A2.3d\\_stp.zip](#)

English

By downloading the CAD file I accept and agree to the [Terms and Conditions](#) of use.

### Datasheets & Catalog Pages

[High Speed Backplane Connectors catalog - Z-PACK HS3 Connector](#)

English

[POWER\\_CONNECTORS\\_CATALOG\\_SEC01\\_BOARD\\_TO\\_BOARD](#)

English



[2\\_PIECE\\_POWER\\_CONNECTORS\\_qrg\\_4-1773458-1](#)

English

---

**Product Specifications**

[Application Specification](#)

English

[Application Specification](#)

English

---

**Product Environmental Compliance**

[MD\\_5-5223955-2\\_12282017844\\_dmtec](#)

English

[MD\\_5-5223955-2\\_12282017844\\_dmtec](#)

English