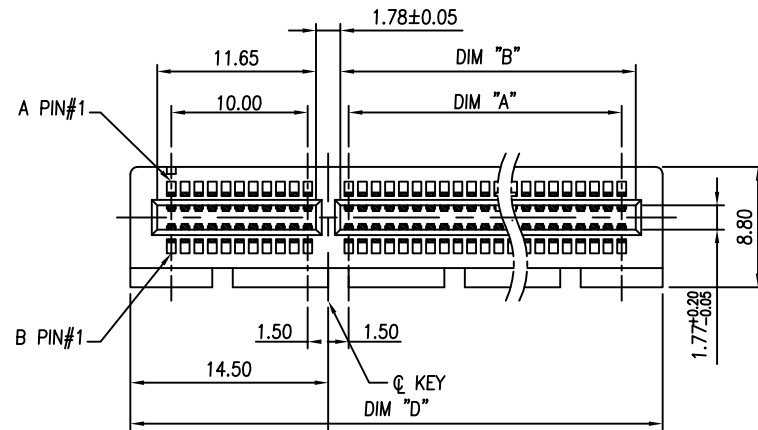
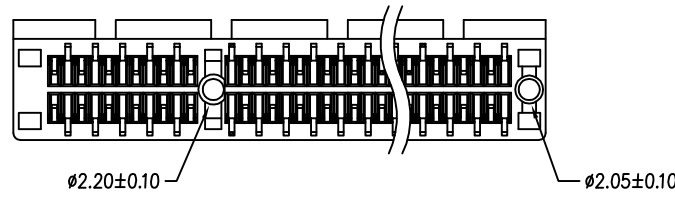
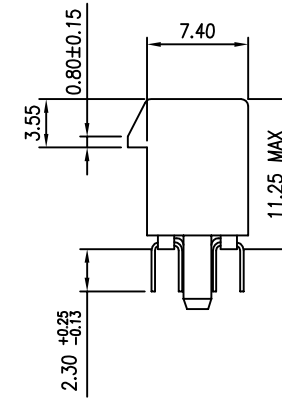
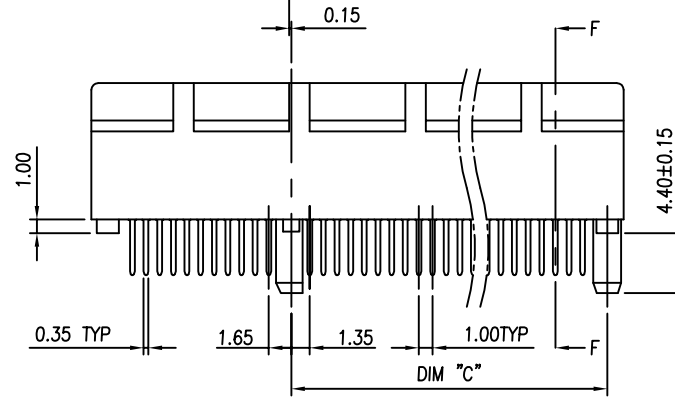
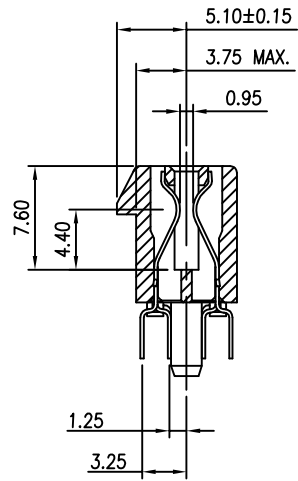


REVISION RECORD		
REV	DESCRIPTION	DRFT



DIMENSIONS				
POSITION	A ±0.10	B $\pm 0.15$ $-0.05$	C ±0.20	D ±0.23
36	6	7.65	9.15	25.00
64	20	21.65	23.15	39.00
98	37	38.65	40.15	56.00
164	70	71.65	73.15	89.00

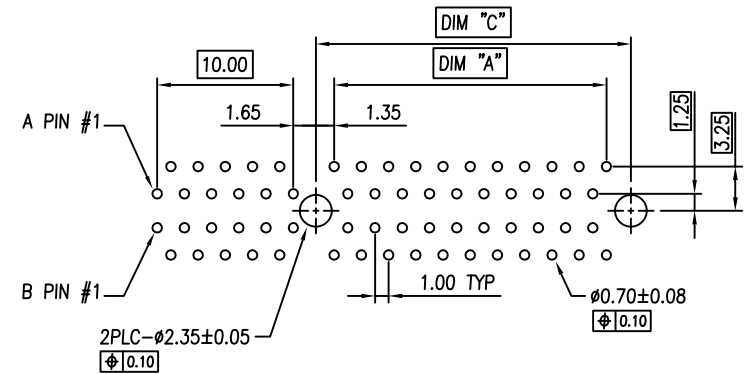
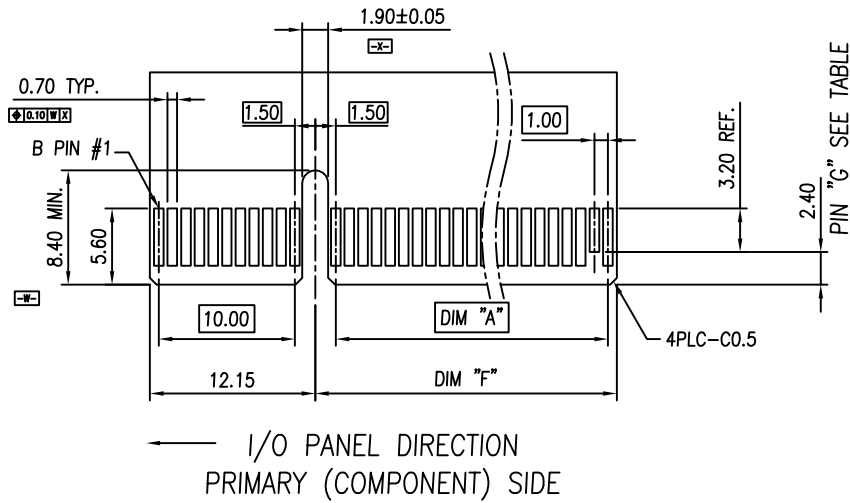


SECTION F-F

DUAL POST TYPE

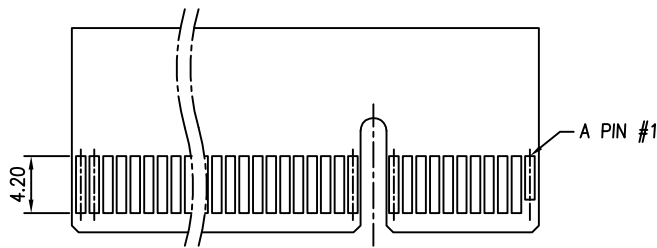
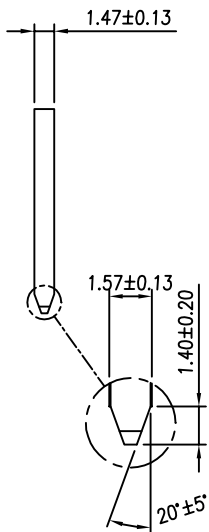
DETACHED LISTS	MM (INCH)	DFTO Roy	DATE 11/14/2012		<b>RoHS Compliant</b>
	TOLERANCES EXCEPT AS NOTED	CHKD	DATE		
	MM	APPVL	DATE	TITLE	
	± 0.40	MATERIAL :		PCI EXPRESS 1.0mm CARD EDGE ASSY'	
	.0 ± 0.30 ±	ANGLES ± 0.5°	QTY :	DRAWING NO. E9001-XXX-XX	SIZE A3
.00 ± 0.20 ±		FINISH :	/PART NO. E9001-XXX-XX		
.000 ± 0.10 ±		SCALE : 1:1	DO NOT SCALE DRAWING	SHEET 1 OF 3	

REVISION RECORD		
REV	DESCRIPTION	DRFT



RECOMMENDED PCB LAYOUT

TOLERANCE: ±0.05



I/O PANEL DIRECTION  
SECONDARY (SOLDER) SIDE  
ADD-IN CARD EDGE-FINGER DIMENSIONS

DIMENSIONS				
POSITION	A	C	F ±0.20	G
36	6	9.15	8.15	B PIN#17
64	20	23.15	22.15	B PIN#31
98	37	40.15	39.15	B PIN#48
164	70	73.15	72.15	B PIN#81

DETACHED LISTS	← MM (INCH) →		DFTO Roy	DATE 11/14/2012		<b>RoHS Compliant</b>
	TOLERANCES EXCEPT AS NOTED		CHKD	DATE		
	MM		APPVL	DATE	TITLE PCI EXPRESS 1.0mm CARD EDGE ASSY'	
	.0 ± 0.30	±	MATERIAL :			
	.00 ± 0.20	±	QTY :		DRAWING NO. E9001-XXX-XX /PART NO. E9001-XXX-XX	
.000 ± 0.10	±	FINISH :				
ANGLES ± 0.5°		SCALE : 1:1		DO NOT SCALE DRAWING		SHEET 2 OF 3
THIRD ANGLE PROJECTION				SIZE A3		REV 01

REVISION RECORD		
REV	DESCRIPTION	DRFT

NOTES:

1. MATERIAL:

1.1 HOUSING: THERMOPLASTIC, HIGH TEMP.,  
UL94V-0;  
COLOR: BLACK

1.2 CONTACTS: COPPER ALLOY.

2. FINISH:

2.1 CONTACT:

SELECTEIVE GOLD PLATING ON CONTACT AREA.  
100μ" MIN. MATTE TIN PLATING ON SOLDER TAILS,  
50μ" MIN. NICKEL UNDERPLATING OVERALL.

PRAT NUMBER	DESCRIPTION	PLATING Au	No.of Pins	Packing
E9001-001-01	PCI Express Connector, Vertical, THT,	1u"	36pin	Tray
E9001-001-02		15u"	36pin	
E9001-002-01		1u"	64pin	
E9001-002-02		15u"	64pin	
E9001-003-01		1u"	98pin	
E9001-003-02		15u"	98pin	
E9001-004-01		1u"	164pin	
E9001-004-02		15u"	164pin	

DETACHED LISTS			DFTO Roy	DATE 11/14/2012		<b>RoHS Compliant</b>		
	TOLERANCES EXCEPT AS NOTED		CHKD	DATE				
	MM		APPVL	DATE	TITLE PCI EXPRESS 1.0mm CARD EDGE ASSY'			
	. ± 0.40	±	MATERIAL :					
	.0 ± 0.30	±	QTY :		DRAWING NO. E9001-XXX-XX		SIZE	REV
.00 ± 0.20	±	FINISH :		/PART NO. E9001-XXX-XX		A3	01	
.000 ± 0.10	±	THIRD ANGLE PROJECTION		SCALE : 1:1		DO NOT SCALE DRAWING		SHEET 3 OF 3

8

7

6

5

4

3

2

1

H  
G  
F  
E  
D  
C  
B  
A