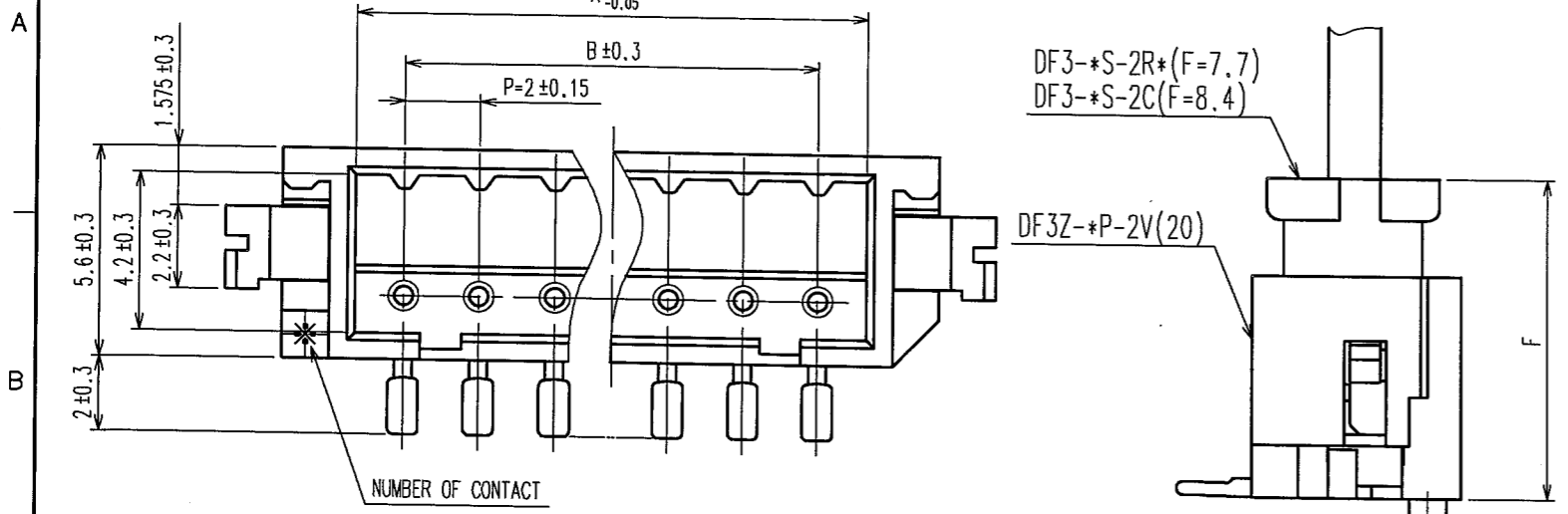


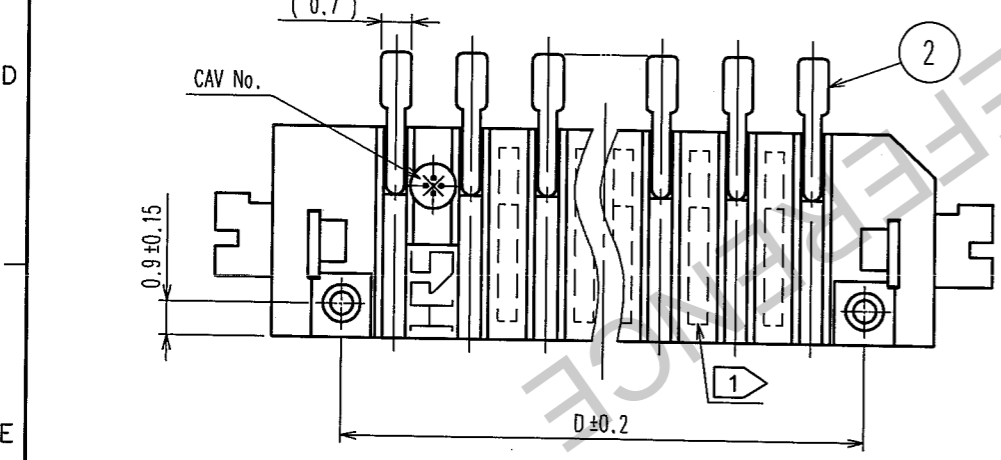
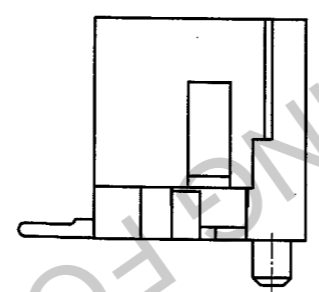
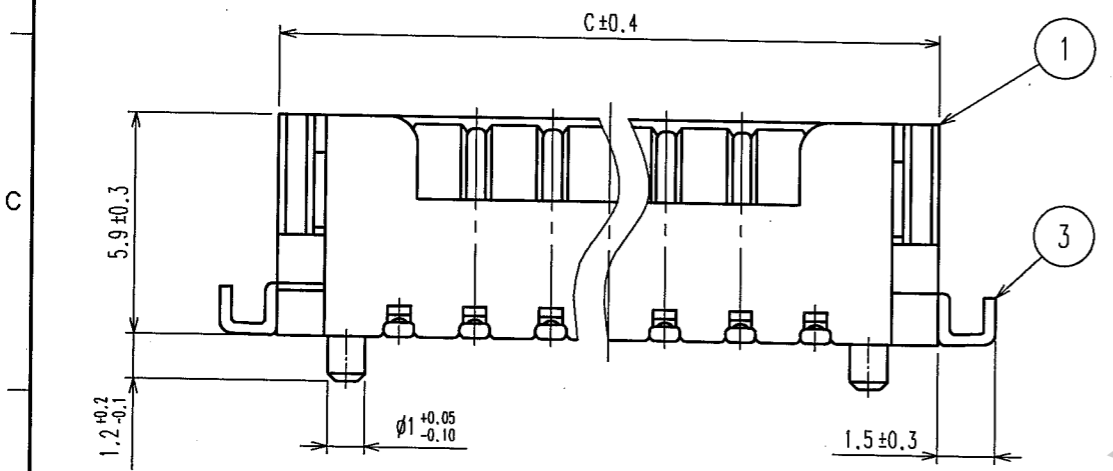
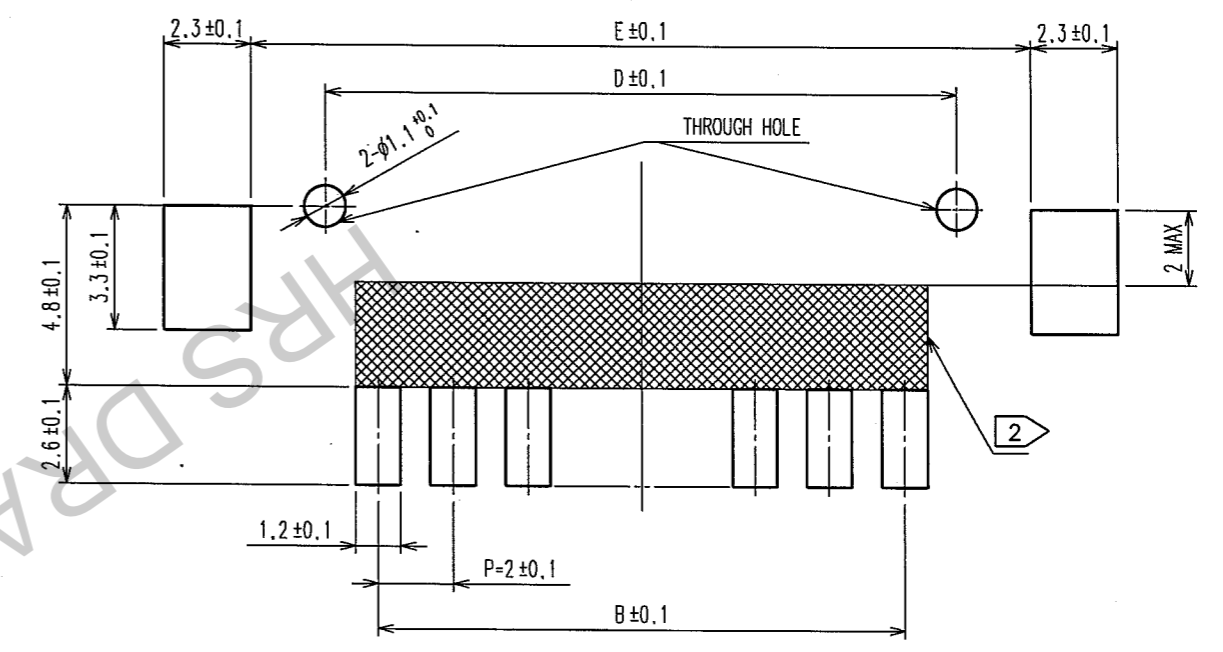
In case that the application demands a high level of reliability, such as automotive, please contact a company representative for further information.

NO.	DESCRIPTION OF REVISIONS	BY	CHKD	DATE	COUNT	DESCRIPTION OF REVISIONS	BY	CHKD	DATE
1	RE-H-06193	I.D	H.U	'04.04.13					
2	RE-H-06617	I.D	T.M	04.11.27					

MATED CONNECTORS



RECOMMENDED PATTERN



- NOTES
- 1 WHEN THE NUMBER OF CONTACT IS 2 TO 10, THIS PART IS FREE FROM SINKAGE INDICATING DOTTED LINES. WHEN THE NUMBER OF CONTACT IS 11 TO 15, THERE ARE SINKAGES INDICATING DOTTED LINES.
  - 2 IF THERE IS PATTERN ON PART, THERE IS A POSSIBILITY THAT IT WILL MAKE CONTACT WITH THE LEADS.
  - 3. LEAD CO-PLANARITY INCLUDE REINFORCED METAL FITTINGS SHALL BE 0.1mm MAX.

PART NO.	CODE NO.	A	B	C	D	E
DF3Z- 2P-2V(20)	CL543-1028-4-20	4.6	2.0	8.5	4.8	8.74
DF3Z- 3P-2V(20)	CL543-1029-7-20	6.6	4.0	10.5	6.8	10.74
DF3Z- 4P-2V(20)	CL543-1030-6-20	8.6	6.0	12.5	8.8	12.74
DF3Z- 5P-2V(20)	CL543-1031-9-20	10.6	8.0	14.5	10.8	14.74
DF3Z- 6P-2V(20)	CL543-1032-1-20	12.6	10.0	16.5	12.8	16.74
DF3Z- 7P-2V(20)	CL543-1033-4-20	14.6	12.0	18.5	14.8	18.74
DF3Z- 8P-2V(20)	CL543-1034-7-20	16.6	14.0	20.5	16.8	20.74
DF3Z- 9P-2V(20)	CL543-1035-0-20	18.6	16.0	22.5	18.8	22.74
DF3Z-10P-2V(20)	CL543-1036-2-20	20.6	18.0	24.5	20.8	24.74
DF3Z-11P-2V(20)	CL543-1037-5-20	22.6	20.0	26.5	22.8	26.74
DF3Z-12P-2V(20)	CL543-1038-5-20	24.6	22.0	28.5	24.8	28.74
DF3Z-13P-2V(20)	CL543-1039-0-20	26.6	24.0	30.5	26.8	30.74
DF3Z-14P-2V(20)	CL543-1040-0-20	28.6	26.0	32.5	28.8	32.74
DF3Z-15P-2V(20)	CL543-1041-2-20	30.6	28.0	34.5	30.8	34.74

2	BRASS	SURFACE:TIN PLATED 1μ m min (UNDER PLATING)COPPER PLATED 0.5μ m min	5	S.PVC	GRAY
1	POLYAMIDE	BEIGE,UL94V-0	4	RIGID POLYVINYLCHLORIDE	ELECTROSTATIC PROTECTION, CLEAR
			3	BRASS	SURFACE:TIN PLATED 1μ m min (UNDER PLATING)NICKEL PLATED 1μ m min
NO.	MATERIAL	FINISH, REMARKS	NO.	MATERIAL	FINISH, REMARKS

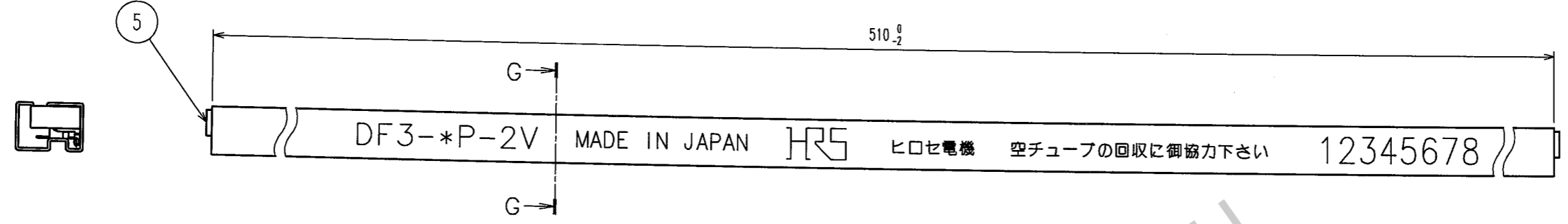
CODE NO. (OLD)	CL	DRAWN	DESIGNED	CHECKED	APPROVED	RELEASED
		M.Nakamoto	H.Umehara	T.Miyazaki	T.Oma	
		'04.03.25	'04.03.25	'04.03.25	'04.03.25	

SCALE	5 : 1	DRAWING NO.	EDC3-305939-10	PART NO.	DF3Z-*P-2V(20)
UNITS	mm			CODE NO.	CL543-
					1/2

TO

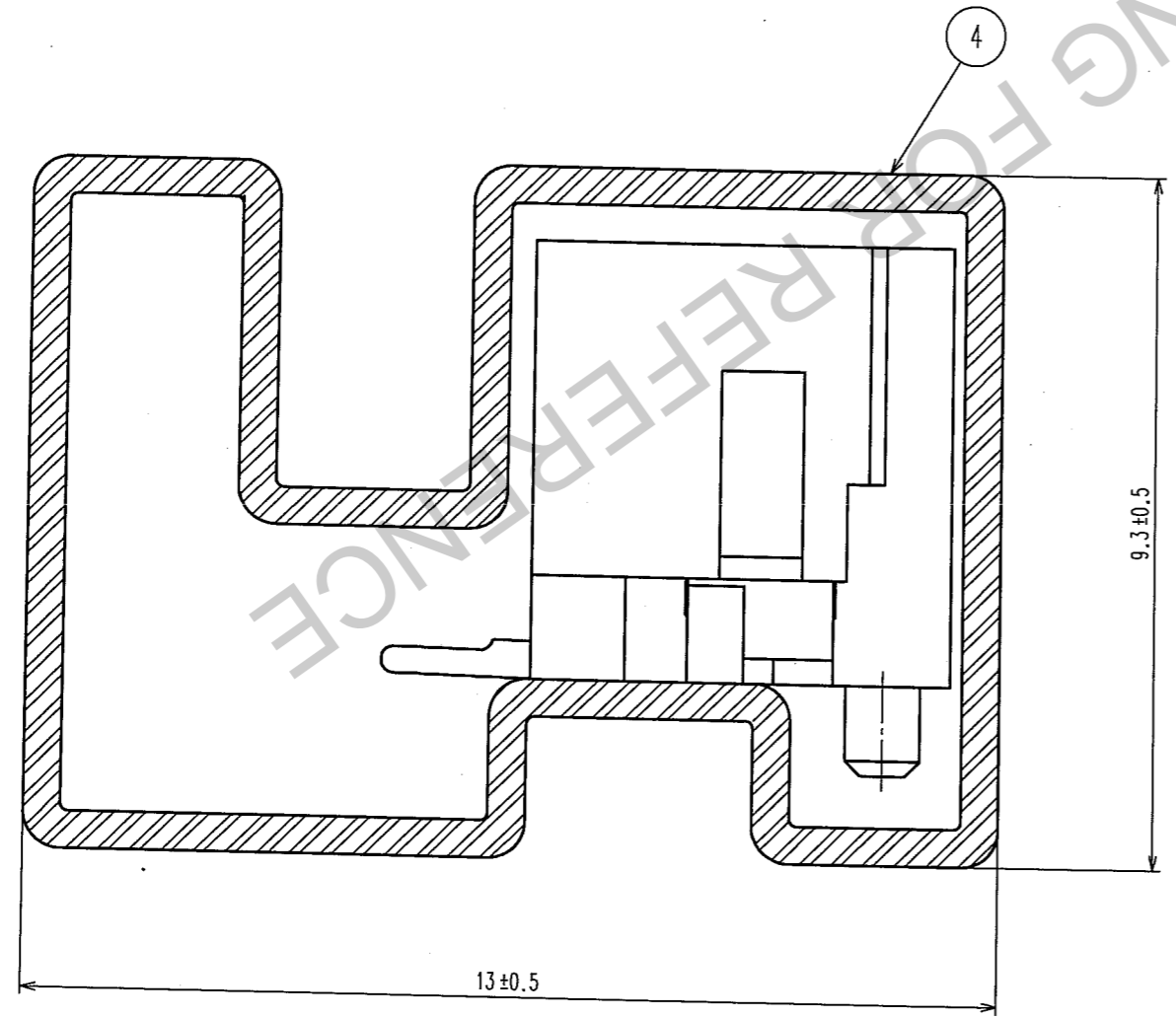
In case that the application demands a high level of reliability, such as automotive, please contact a company representative for further information.

HISTORY OF REVISIONS			BY	CHKD	DATE	COUNT	DESCRIPTION OF REVISIONS	BY	CHKD	DATE
△										
△										
△										



NOTES  
 4. NUMBER OF CONNECTERS PER A MAGAZINE CASE SHALL BE IN ACCORDANCE WITH THE LIST.  
 5. THESE CONNECTERS SHALL BE ON SALED IN ACCORDANCE WITH THE MULTIPLE QUANTITY ON THE LIST.

G-G (10:1)



CODE NO.	PART NO.	NUMBER OF CONNECTORS
CL543-1028-4-20	DF3Z- 2P-2V(20)	41
△ CL543-1029-7-20	DF3Z- 3P-2V(20)	34
CL543-1030-6-20	DF3Z- 4P-2V(20)	30
CL543-1031-9-20	DF3Z- 5P-2V(20)	26
CL543-1032-1-20	DF3Z- 6P-2V(20)	23
CL543-1033-4-20	DF3Z- 7P-2V(20)	21
CL543-1034-7-20	DF3Z- 8P-2V(20)	19
CL543-1035-0-20	DF3Z- 9P-2V(20)	18
CL543-1036-2-20	DF3Z-10P-2V(20)	17
CL543-1037-5-20	DF3Z-11P-2V(20)	15
CL543-1038-5-20	DF3Z-12P-2V(20)	14
CL543-1039-0-20	DF3Z-13P-2V(20)	14
CL543-1040-0-20	DF3Z-14P-2V(20)	13
CL543-1041-2-20	DF3Z-15P-2V(20)	12

NO.	MATERIAL	FINISH, REMARKS	NO.	MATERIAL	FINISH, REMARKS		
CODE NO. (OLD) CL			DRAWN	DESIGNED	CHECKED	APPROVED	RELEASED
			M.Nakamoto '04.03.25	H.Umehara '04.03.25	T.Miyazaki '04.03.25	T.Oma '04.03.25	..
DRAWING NO. EDC3-305939-10			PART NO. DF3Z-*P-2V(20)				
SCALE FR:EE			CODE NO. CL543-				
UNITS mm			2				

TO

NC