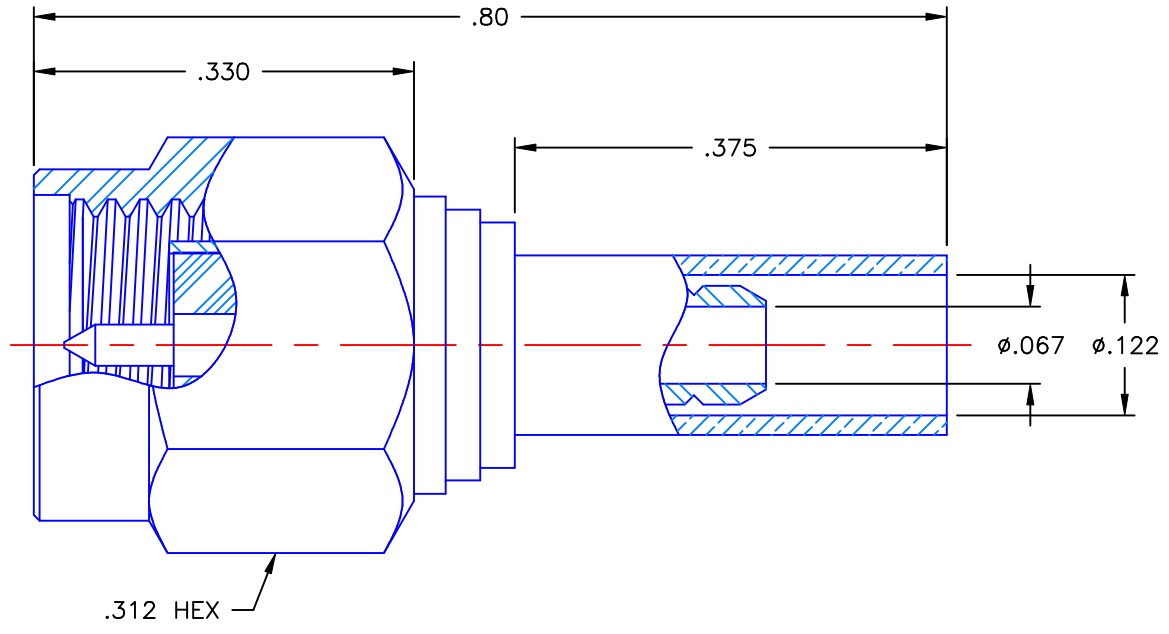


REVISIONS			
REV	DESCRIPTION	DATE	APPROVED
A	INITIAL RELEASE	08/05/10	A.D.M.



NOTES:


MATERIALS:

1. BODY & COUPLING NUT = STAINLESS STEEL PER ASTM A582, ALLOY 303, CONDITION "A".
2. INSULATOR = VIRGIN WHITE TEFLON PER ASTM D1710, GRADE 1, TYPE I, CLASS "B".
3. CONTACT & RETAINING RING = BERYLLIUM COPPER PER ASTM B196, ALLOY C17300, TEMPER TD04.
4. CRIMP SLEEVE = SEAMLESS LOWLEAD BRASS TUBE, ALLOY 330, SOFT ANNEAL TEMPER, .025/.060 GRAIN SIZE OR SEAMLESS COPPER TUBE PER ASTM B75, TYPE C12000, TEMPER: LIGHT ANNEAL O50 EXCEPT YIELD STRENGTH.
5. GASKET = SILICONE RUBBER PER ZZ-R-765, CLASS 2B, GRADE 65-75.
6. SHRINK SLEEVE = THERMOFIT SCL (NOT SHOWN).

FINISHES:

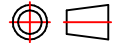
1. BODY & COUPLING NUT = PASSIVATE PER QQ-P-35, TYPE VI.
2. CONTACT = GOLD PLATE PER MIL-G-45204, TYPE II, CLASS 1, GRADE C, OVER .00010 TO .00020 STRESS FREE SULFAMATE NICKEL PER QQ-N-290.
3. CRIMP SLEEVE = NICKEL PLATE PER QQ-N-290, CLASS 1, GRADE G, EXCEPT .0001 TO .0002 THICK OVER .00005 TO .0001 THICK COPPER PER MIL-C-14550.

UNLESS OTHERWISE SPECIFIED DIMENSIONS ARE IN INCHES TOLERANCES ON	DWN:	DATE	
	A.D.M.	08/05/10	
	CHKD:	DATE	
DECIMAL	ANGLE	D.N.	08/05/10
		APVD:	DATE
		J.M.	08/05/10

Property of Radiall

 This document cannot be reproduced or communicated to a third party without prior written permission of RADIALL.

SMA STRAIGHT PLUG
 CRIMP TYPE
 FOR RG-316 & SIMILAR CABLES

REFERENCE:	MATERIALS & FINISHES:
ORIGINATOR: A.D.M. DATE: 08/05/10	SEE NOTES

SIZE	FSCM NO.	DWG. NO.	REV
A	19505	9001-9023-003	A
SCALE 6:1	THIRD ANGLE PROJECTION 		SHEET 1 OF 1

9001-9023-003