

NOTES:

1. MATERIAL & FINISH:

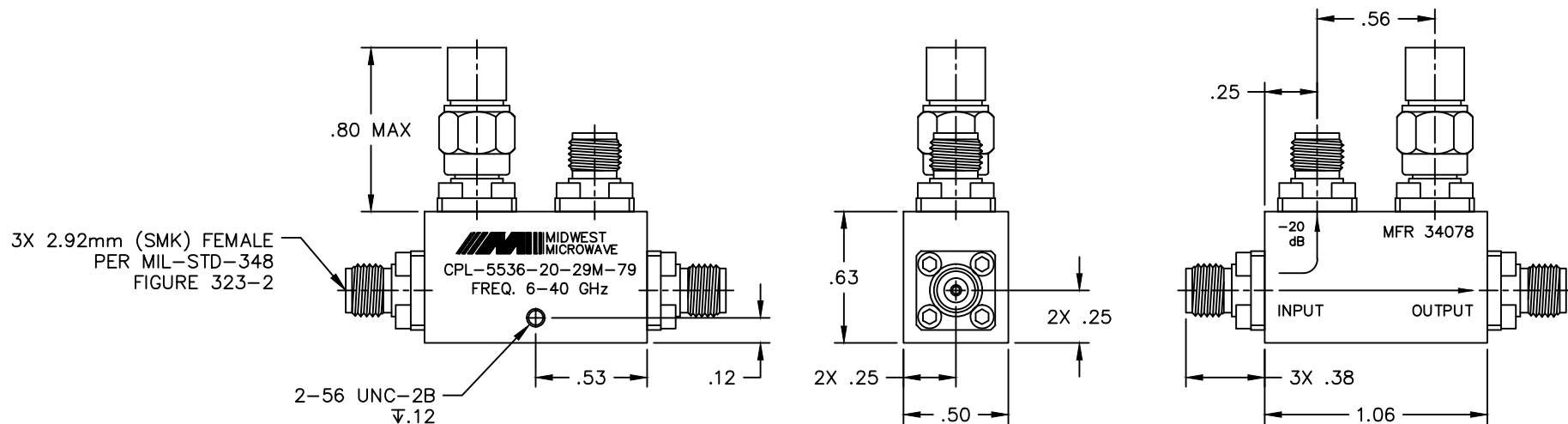
- 1.1 HOUSING: GREY PAINT OVER RoHS COMPLIANT CHEMICAL CONVERSION COATED ALUMINUM
- 1.2 CONNECTORS:
 - 1.2.1 HOUSING: PASSIVATED STAINLESS STEEL
 - 1.2.2 BEADS: KEL-F(PCTFE) AND ULTEM 1000
 - 1.2.3 CENTER CONTACT: GOLD PLATED BERYLLIUM COPPER
- 1.3 SCREWS: STAINLESS STEEL

2. SPECIFICATIONS:

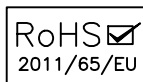
- 2.1 FREQUENCY RANGE: 6 TO 40 GHz
- 2.2 IMPEDANCE: 50 OHMS NOMINAL
- 2.3 FREQUENCY SENSITIVITY (MAX): ± 0.5 dB (6-10 GHz AND 10-40 GHz)
- 2.4 COUPLING:
 - 20 \pm 1.5 dB (6-10 GHz)
 - 20 \pm 1.0 dB (10-40 GHz)
- 2.5 VSWR (MAX):
 - 2.5.1 PRIMARY LINE: 1.8:1
 - 2.5.2 SECONDARY LINE: 1:9:1

2.6 INSERTION LOSS (MAX): 1.3 dB

- (EXCLUDING COUPLED POWER)
- 2.7 DIRECTIVITY (MIN): 10 dB
- 2.8 INPUT POWER (MAX):
 - 2.8.1 AVERAGE: 20 W
 - 2.8.2 PEAK: 1 kW
- 2.9 OPERATING TEMP. RANGE: -55°C TO +85°C
- 2.10 WEIGHT: 1.0 oz NOMINAL




REV.	DESCRIPTION	DATE
001	ECO 26071	5/28/19



NOTICE: The information contained in this drawing is proprietary and must not be used without the permission of Cinch Connectivity Solutions.

UNLESS OTHERWISE NOTED DIMENSIONS ARE IN INCHES AND TOLERANCES ARE:
 3 PLACE DECIMALS ± 0.005
 2 PLACE DECIMALS ± 0.02
 FRACTIONS $\pm 1/64$
 PARALLELITY: T.I.R. _____
 FLATNESS: T.I.R. _____
 CONCENTRICITY: T.I.R. _____
 ANGLES AND PERPENDICULARITY: $\pm 2'$

CAGE CODE 34078		MIDWEST MICROWAVE	
		TITLE DIRECTIONAL COUPLER 20 dB, 6-40 GHz	
		DRAWING NUMBER CPL-5536-20-29M-79-01	
DRAWN/DATE J.KEREKES 5/28/19	ENG./DATE J.KEREKES 5/28/19	REV. 001	
CHECKED/DATE R. BRENDAL 6/10/19	APPROVED/DATE M. DVORAK 6/10/19	SCALE: 2:1	SHEET 1 of 1