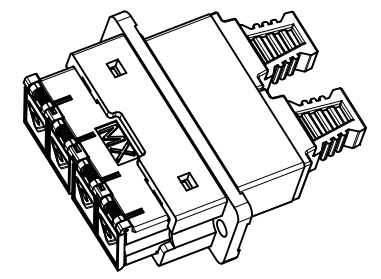
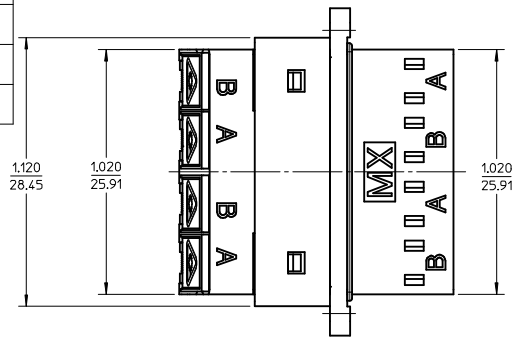
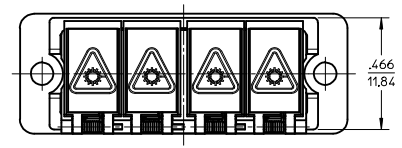


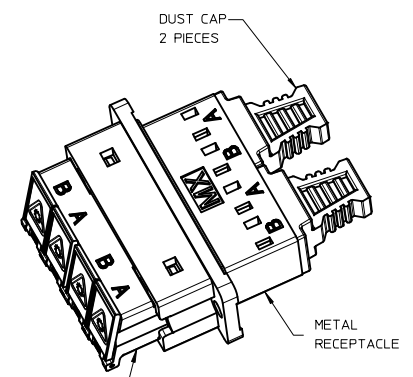
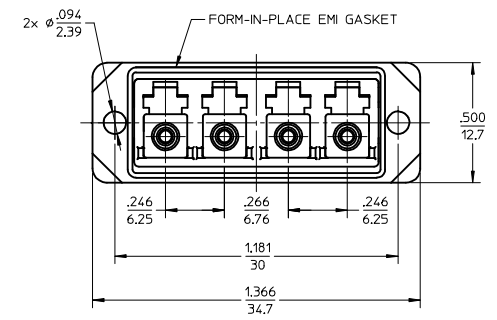
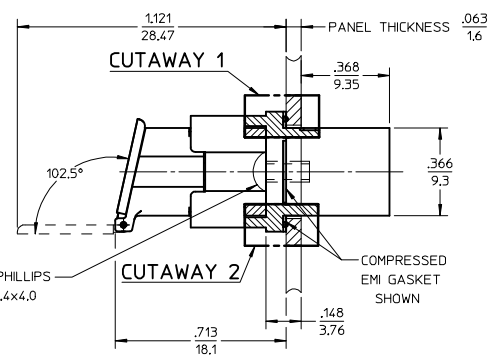
ADAPTER P/N	RECEPTACLE COLOR	LC DOOR COLOR
106123-0700	BLUE	BLUE
106123-0750	GREEN	GREEN
106123-0751	BEIGE	BEIGE



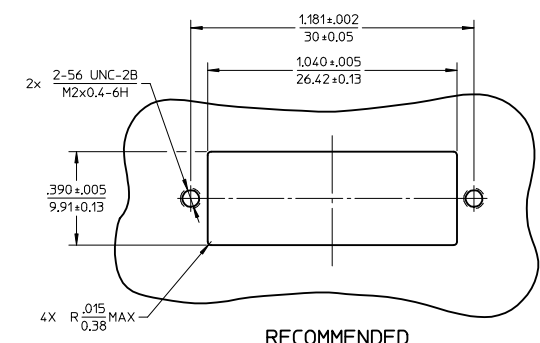
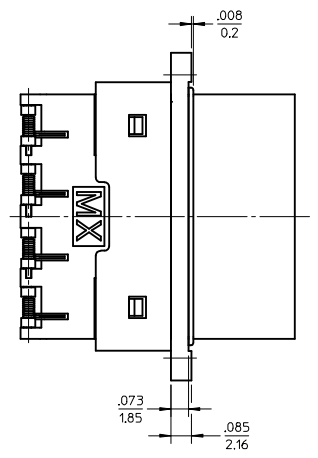
ISO VIEW 2
SCALE 2:1



RECOMMENDED PAN HEAD PHILLIPS
SCREW 2-56 x 3/16 / M2x0.4x4.0
2 PIECES
NOT PROVIDED



ISO VIEW 1
SCALE 2:1

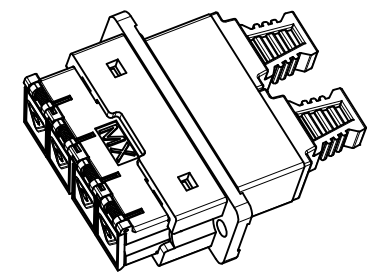
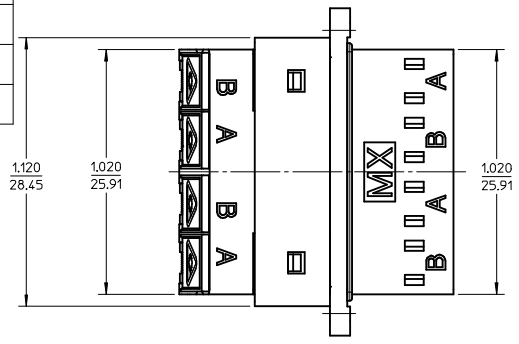


RECOMMENDED
MOUNTING PATTERN

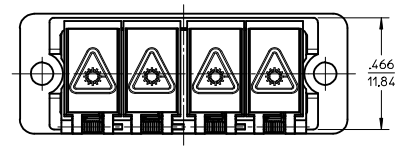
- NOTES:
- ALL DIMENSIONS ARE FOR REFERENCE.
 - TWO DUST CAPS SHOWN IN ISOMETRIC VIEWS ONLY.
 - LC EMI QUAD ADAPTER HAS SC DUPLEX ADAPTER FOOTPRINT.

ENTER DESCRIPTION EC NO: MF2013-0264 DRW:KPEVZNER 2012/11/09 CHKD: APPR: LGUMIN 2012/11/09	QUALITY SYMBOLS ▽=0 ▽=0 ▽=0	GENERAL TOLERANCES (UNLESS SPECIFIED)		DIMENSION STYLE IN/MM		SCALE 2.5:1	DESIGN UNITS INCH	THIRD ANGLE PROJECTION
		mm	INCH	DRAWN BY YB	DATE 9.02.05	TITLE LC EMI QUAD ADAPTER FRONT SCREW MOUNT SC DUPLEX FOOTPRINT	DOCUMENT NO. SD-106123-0700	SHEET NO. 1 OF 1
REV: A3	DESCRIPTION	4 PLACES ±	±	CHECKED BY SM	DATE 9.02.05	molex		THIS DRAWING CONTAINS INFORMATION THAT IS PROPRIETARY TO MOLEX INCORPORATED AND SHOULD NOT BE USED WITHOUT WRITTEN PERMISSION
		3 PLACES ±	±	APPROVED BY IM	DATE 9.02.05			
		2 PLACES ±	±	MATERIAL NO. SEE TABLE				
		1 PLACE ±	±	DRAFT WHERE APPLICABLE MUST REMAIN WITHIN DIMENSIONS				
		0 PLACE ±	±	ANGULAR ±				

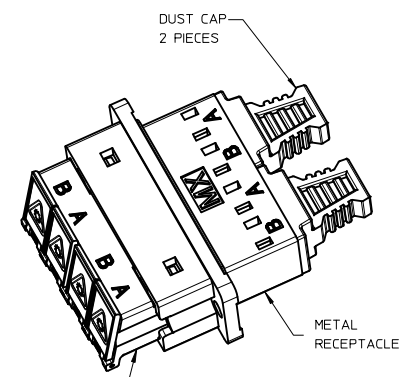
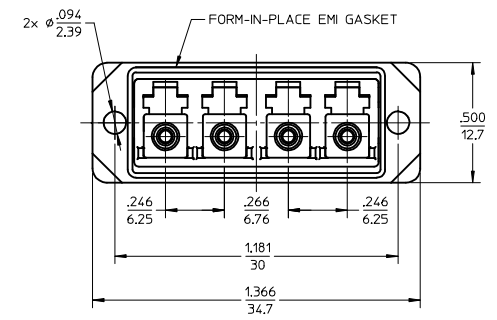
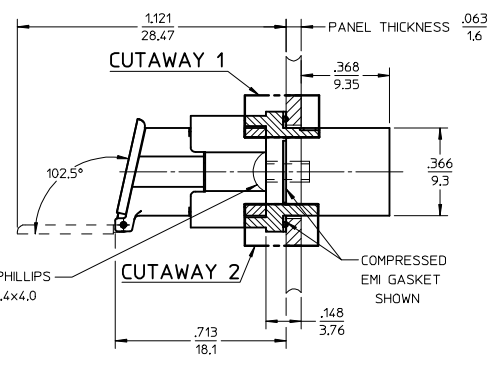
ADAPTER P/N	RECEPTACLE COLOR	LC DOOR COLOR
106123-0700	BLUE	BLUE
106123-0750	GREEN	GREEN
106123-0751	BEIGE	BEIGE



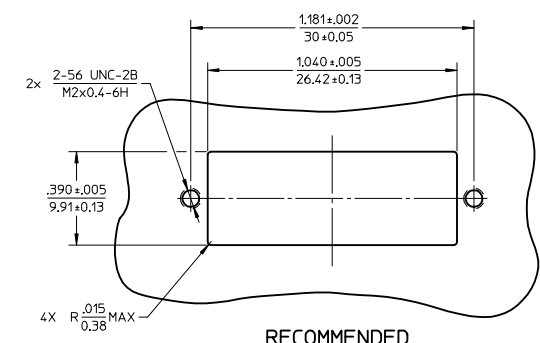
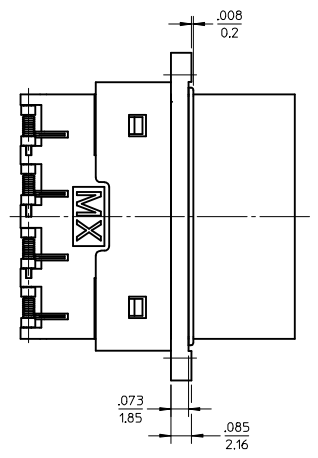
ISO VIEW 2
SCALE 2:1



RECOMMENDED PAN HEAD PHILLIPS
SCREW 2-56 x 3/16 / M2x0.4x4.0
2 PIECES
NOT PROVIDED



ISO VIEW 1
SCALE 2:1



RECOMMENDED
MOUNTING PATTERN

- NOTES:
- ALL DIMENSIONS ARE FOR REFERENCE.
 - TWO DUST CAPS SHOWN IN ISOMETRIC VIEWS ONLY.
 - LC EMI QUAD ADAPTER HAS SC DUPLEX ADAPTER FOOTPRINT.

ENTER DESCRIPTION EC NO: MF2013-0264 DRW:KPEVZNER 2012/11/09 CHKD: APPR: LGUMIN 2012/11/09	QUALITY SYMBOLS ▽=0 ▽=0 ▽=0	GENERAL TOLERANCES (UNLESS SPECIFIED)		DIMENSION STYLE IN/MM		SCALE 2.5:1	DESIGN UNITS INCH	THIRD ANGLE PROJECTION	
		4 PLACES ± --- ± --- 3 PLACES ± --- ± --- 2 PLACES ± --- ± --- 1 PLACE ± --- ± --- 0 PLACE ± ±	mm INCH YB SM IM DATE 9.02.05 DATE 9.02.05 DATE 9.02.05	MATERIAL NO. SEE TABLE		DOCUMENT NO. SD-106123-0700	SHEET NO. 1 OF 1		
DRAFT WHERE APPLICABLE MUST REMAIN WITHIN DIMENSIONS		THIS DRAWING CONTAINS INFORMATION THAT IS PROPRIETARY TO MOLEX INCORPORATED AND SHOULD NOT BE USED WITHOUT WRITTEN PERMISSION							