



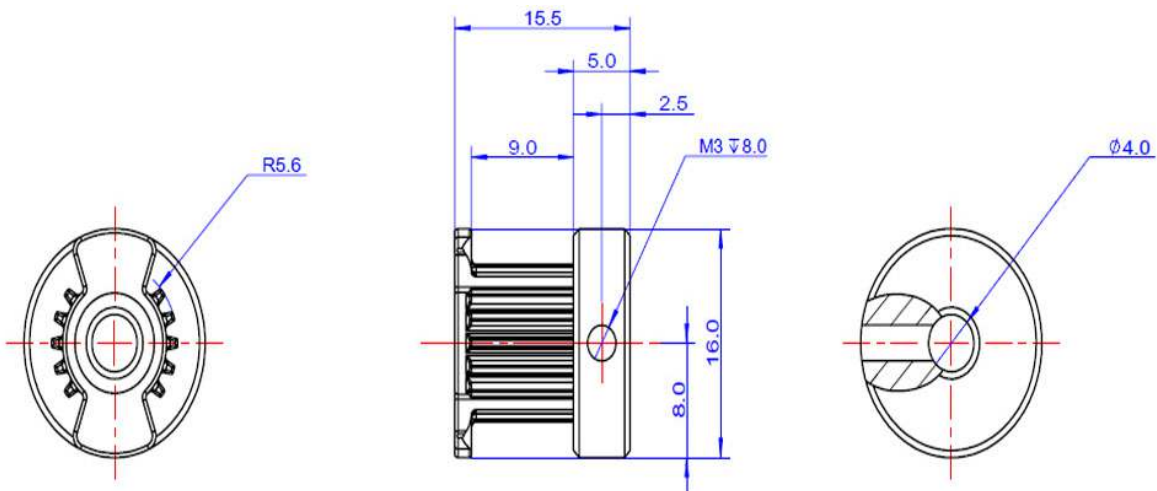
Plastic Timing Pulley 18T (Pair)

SKU: 83003 Weight: 9.00 Gram

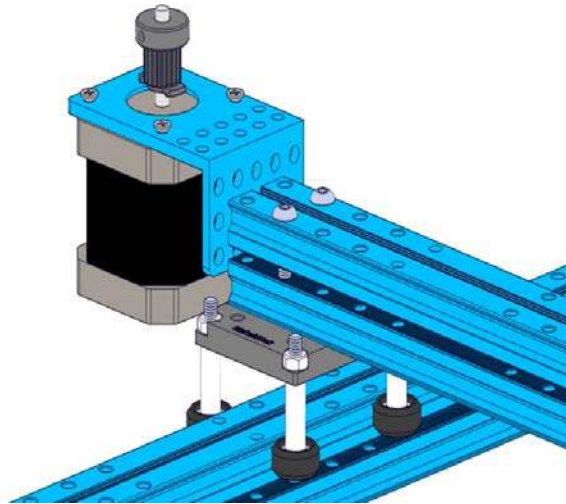
Features

- ? Made from 6061 aluminum and nylon.
- ? 18 tooth timing pulley with a center diameter of 4mm.
- ? Compatible with MXL Timing Belt.
- ? 2 Headless Screw M3x5 included.

Size Charts



DEMO



Specifications

SKU	83003
Product Name	Plastic Timing Pulley 18T (Pair)
Part List	2xPlastic Timing Pulley 18T 2xHeadless Screw M3x5
Package Dimension	60x100x18mm (2.36x3.94x0.71 inch)
Net Weight	8g (0.28oz)
Gross Weight	9g (0.32oz)

<https://store.makeblock.com/plastic-timing-pulley-18t-pair/2-19-19>