

NOTES:

1. MATERIAL & FINISH:

- 1.1 HOUSING: GREY PAINT OVER RoHS COMPLIANT CHEMICAL CONVERSION COATED ALUMINUM
- 1.2 CONNECTORS:
  - 1.2.1 HOUSING: PASSIVATED STAINLESS STEEL
  - 1.2.2 BEADS: KEL-F(PCTFE) AND ULTEM 1000
  - 1.2.3 CENTER CONTACT: GOLD PLATED BERYLLIUM COPPER
- 1.3 SCREWS: STAINLESS STEEL

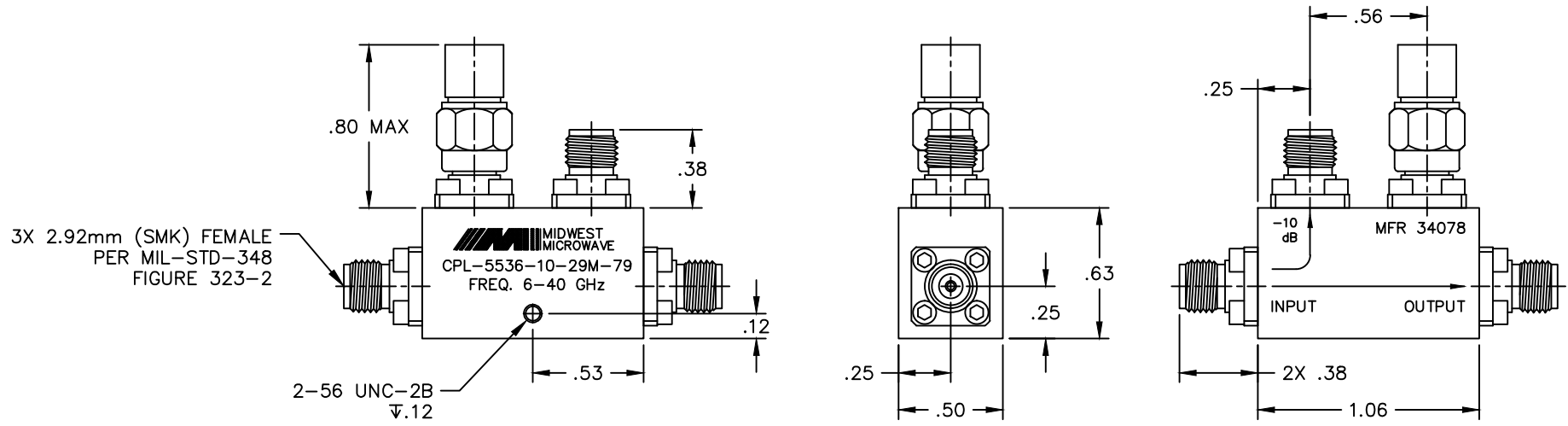
2. SPECIFICATIONS:

- 2.1 FREQUENCY RANGE: 6 TO 40 GHz
- 2.2 IMPEDANCE: 50 OHMS NOMINAL
- 2.3 FREQUENCY SENSITIVITY (MAX):  $\pm 0.65$  dB
- 2.4 COUPLING:  $10 \pm 1.25$  dB
- 2.5 VSWR (MAX):
  - 2.5.1 PRIMARY LINE: 1.8:1
  - 2.5.2 SECONDARY LINE: 1.9:1

2.6 INSERTION LOSS (MAX): 1.5 dB

- (EXCLUDING COUPLED POWER)
- 2.7 DIRECTIVITY (MIN): 10 dB
- 2.8 INPUT POWER (MAX):
  - 2.8.1 AVERAGE: 20 W
  - 2.8.2 PEAK: 1 kW
- 2.9 OPERATING TEMP. RANGE:  $-55^{\circ}\text{C}$  TO  $+85^{\circ}\text{C}$
- 2.10 WEIGHT: 1.0 oz NOMINAL

MODEL NUMBER  
CPL-5536-10-29M-79




REV.	DESCRIPTION	DATE
001	ECO 26070	5/28/19



NOTICE: The information contained in this drawing is proprietary and must not be used without the permission of Cinch Connectivity Solutions.

UNLESS OTHERWISE NOTED DIMENSIONS ARE IN INCHES AND TOLERANCES ARE:  
 3 PLACE DECIMALS  $\pm 0.005$   
 2 PLACE DECIMALS  $\pm 0.02$   
 FRACTIONS  $\pm 1/64$   
 PARALLELITY: T.I.R. \_\_\_\_\_  
 FLATNESS: T.I.R. \_\_\_\_\_  
 CONCENTRICITY: T.I.R. \_\_\_\_\_  
 ANGLES AND PERPENDICULARITY:  $\pm 2'$

CAGE CODE <b>34078</b>		<b>MIDWEST MICROWAVE</b>	
		TITLE DIRECTIONAL COUPLER 10 dB, 6-40 GHz	
DRAWN/DATE J.KEREKES 5/28/19	ENG./DATE J.KEREKES 5/28/19	DRAWING NUMBER CPL-5536-10-29M-79-01	REV. 001
CHECKED/DATE R. BRENDAL 6/10/19	APPROVED/DATE M. DVORAK 6/10/19	SCALE: 2:1	SHEET 1 of 1