

MATERIALS

HOUSING:
ALUMINUM 6061-T6, NICKEL PLATE
PER SAE-AMS-2404

INSULATOR:
LIQUID CRYSTAL POLYMER (LCP)
PER ASTM D5138

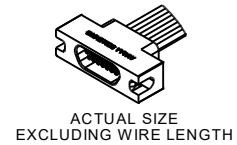
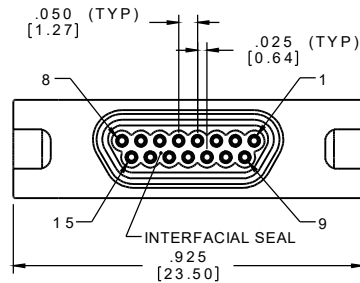
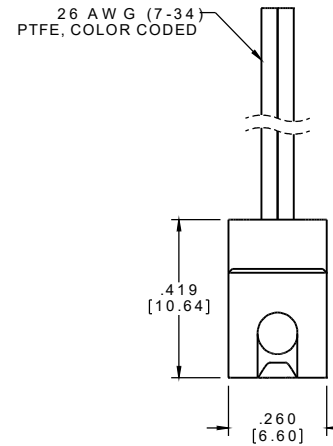
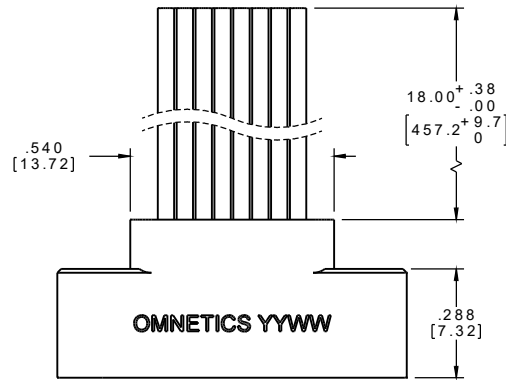
CONTACT:
COPPER ALLOY PER MIL-DTL-
83513, GOLD PLATED PER ASTM
B488, (HARD GOLD) TYPE II CODE
C CLASS 1.27

WIRE:
NEMA HP3 TYPE E, COLOR CODED
IAW MIL-STD-681, SYSTEM 1,
USING TEN SOLID REPEATING
COLORS

INTERFACIAL SEAL:
SILICONE RUBBER PER A-A-59588

SOCKET #	COLOR
1, 11	BLACK
2, 12	BROWN
3, 13	RED
4, 14	ORANGE
5, 15	YELLOW
6	GREEN
7	BLUE
8	VIOLET
9	GRAY
10	WHITE

INTERNAL USE ONLY
USE MFG LOADING
PROCEDURE MMDS-015



RoHS

NOTE:

DIMENSIONS IN [] ARE IN
MILLIMETERS UNLESS
OTHERWISE NOTED AND ARE
FOR REFERENCE ONLY

THIRD ANGLE -TOLERANCES- UNLESS OTHERWISE NOTED DIMENSIONS IN INCHES 2 P L D E C ± .01 3 P L D E C ± .005 4 P L D E C ± .0005 ANGLE S ± 1°	DFTM. JPF	DATE 11-05-10	TITLE: (15) SOCKET FEMALE MICRO-D CONNECTOR W/LATCHES	CAGE CODE 61873 DWG NO. A99150-015
	CHK'D.	DATE		SHEET 1 OF 1
	APP'D.	DATE		REV C
				SCALE: 3:1

OMNETICS
CONNECTOR CORPORATION
7260 COMMERCE CIRCLE EAST
MINNEAPOLIS, MN 55432
WWW.OMNETICS.COM

PART NO.	A99150-015	REV	ECO	DATE	APP
		C	99774	08-12-13	JMJ