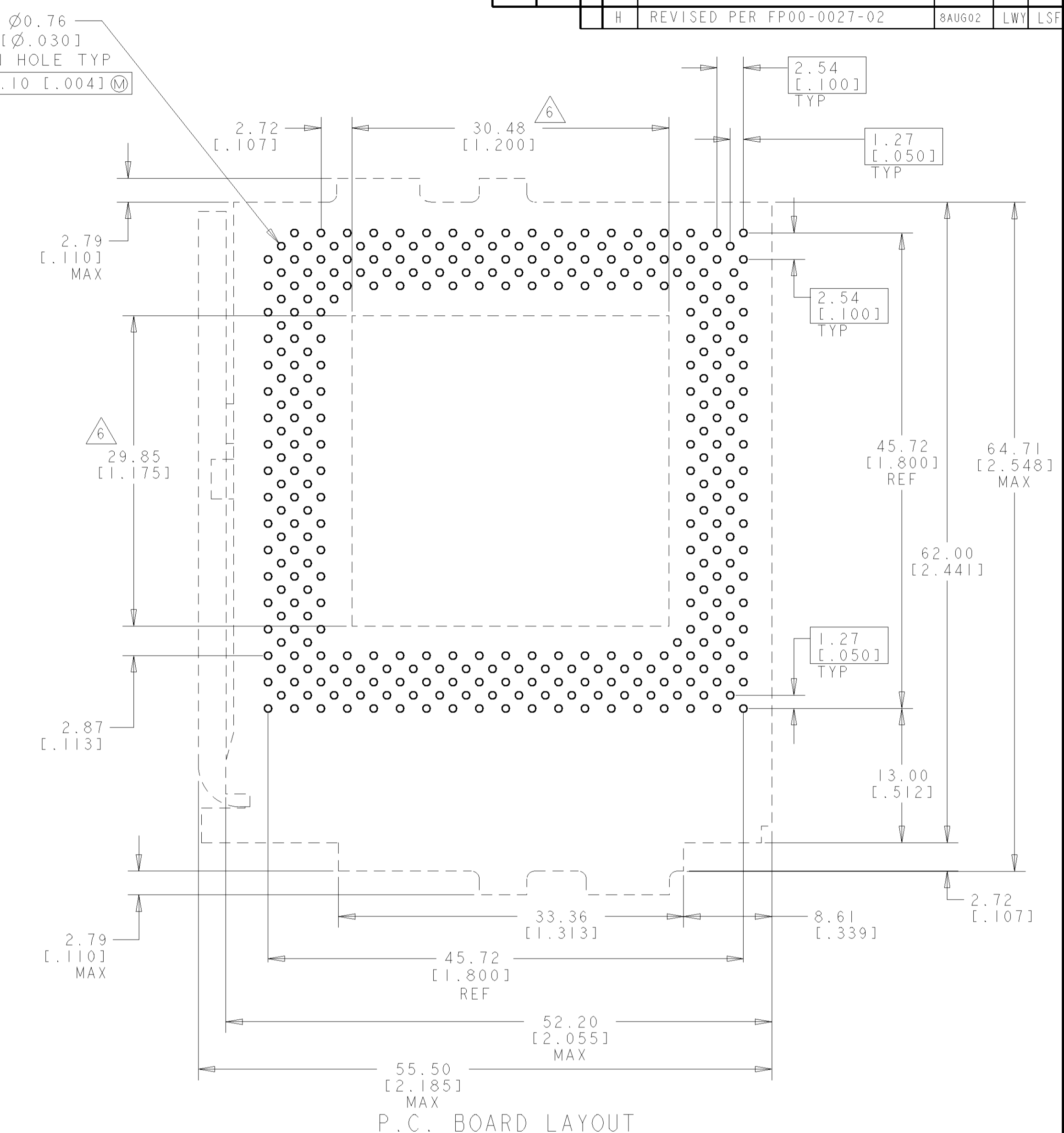
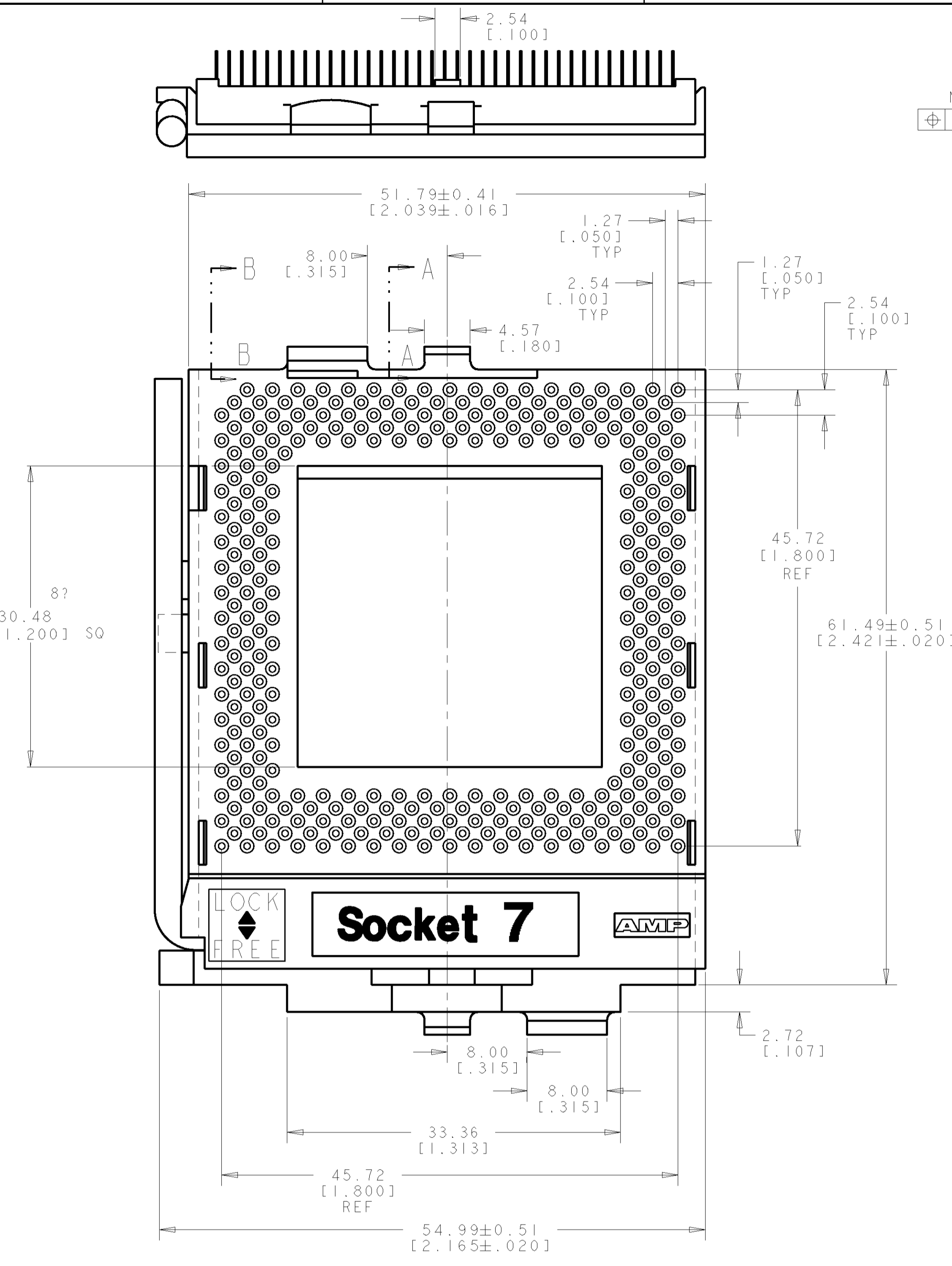
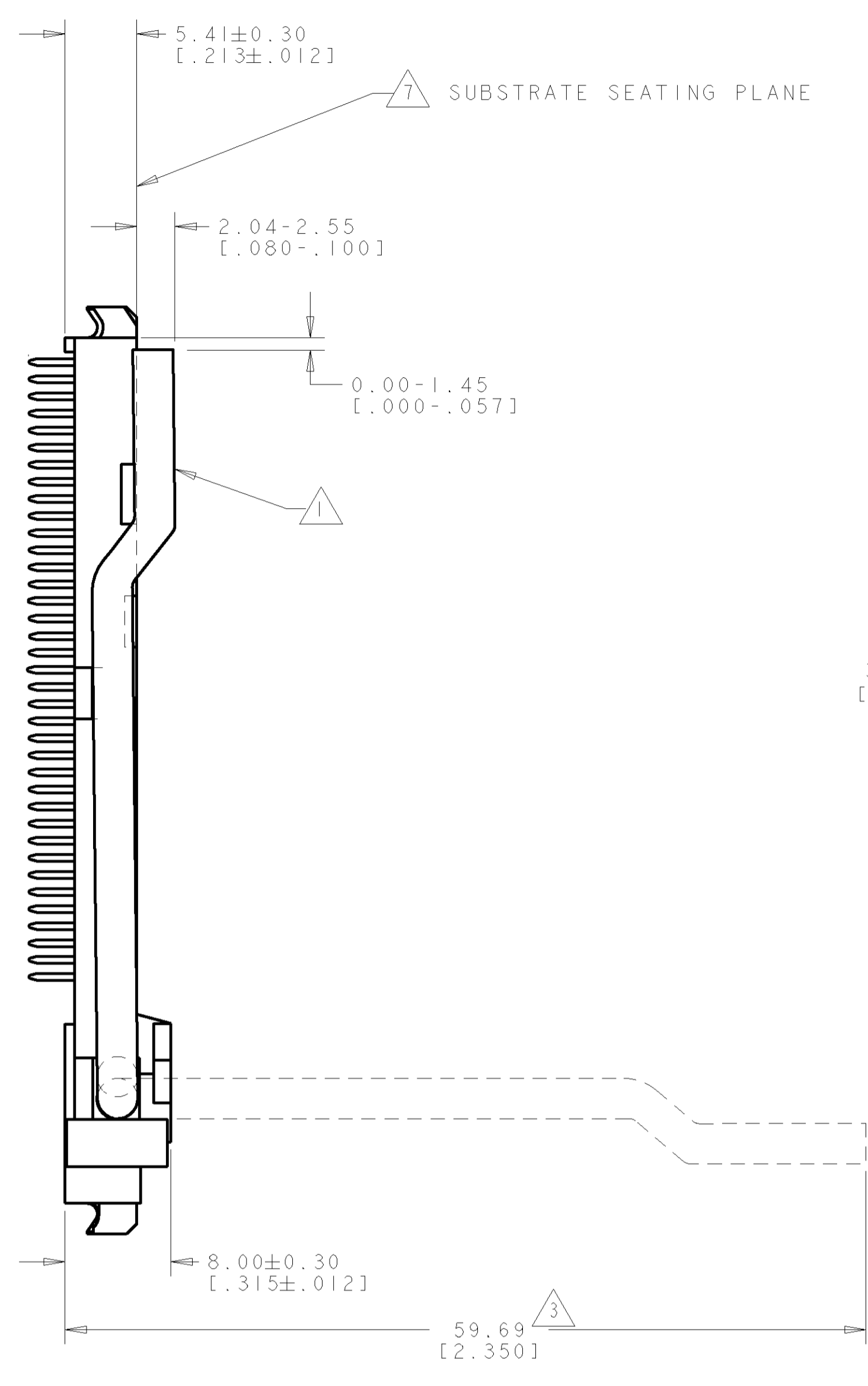


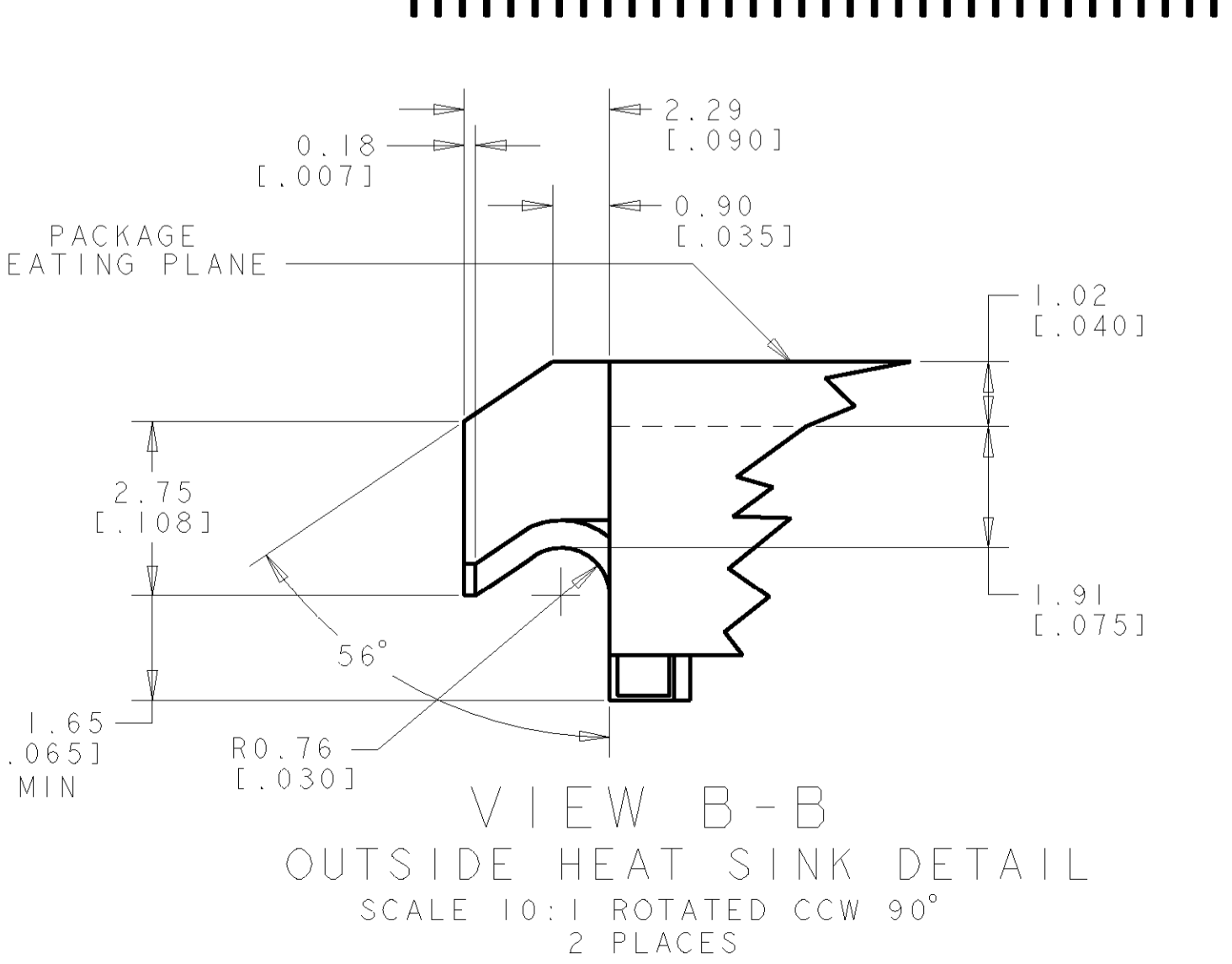
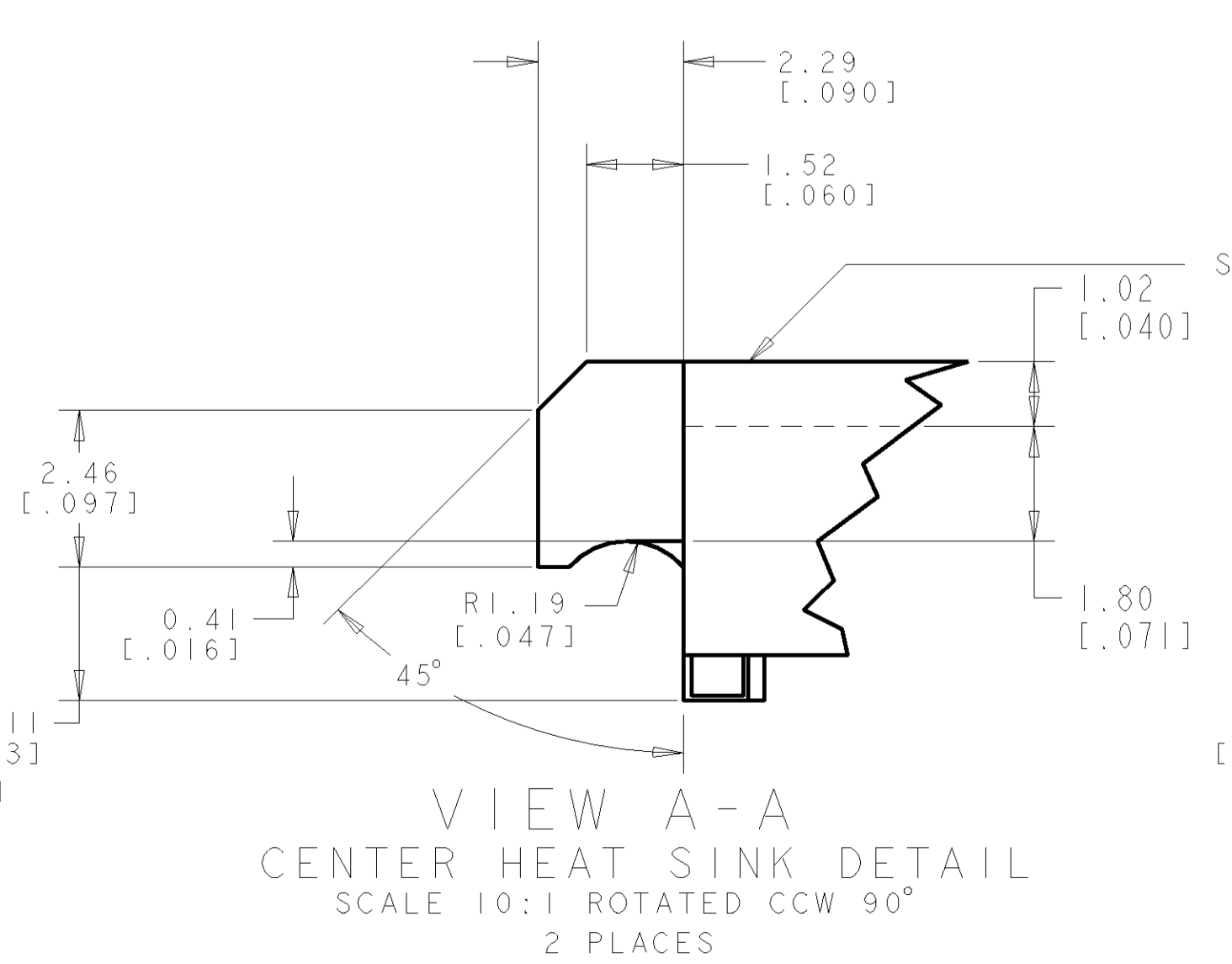
LOC		DIST		REVISIONS			
1	2	3	4	DATE	BY	APPD	
H				8AUG02	LWY	LSF	REVISED PER FP00-0027-02



P.C. BOARD LAYOUT

- 1 HANDLE IS SHOWN IN THE 'ON' POSITION
- 2 SOCKET WILL ACCEPT ANY P.G.A. PACKAGE WITH A PIN $\varnothing 0.46 \pm 0.05$ [$\varnothing 0.018 \pm 0.002$] AND A LENGTH OF 2.54-3.30 [.100-.130] LOCATED ON TRUE POSITION OF 0.20 [.008] M
- 3 MAX DIMENSION INCLUDING HANDLE
- 4 MATERIAL; HOUSING AND COVER ARE THERMOPLASTIC. COLOR-NATURAL. CONTACTS ARE COPPER ALLOY. ACTUATOR IS STAINLESS STEEL.
- 5 FINISH; CONTACT AREA- GOLD THICKNESS PER TABLE OVER 0.00127 [.000050] MIN. THICK NICKEL PLATE. SOLDER TAIL- 0.00381 [.000150] MIN. THICK TIN-LEAD OVER 0.00127 [.000050] MIN. THICK NICKEL PLATE. CONTACT AREA SHALL BE FREE OF LUBRICANT.
- 6 DIMENSIONS INDICATE MIN. OPEN CENTER THROUGH SOCKET.
- 7 SEATING PLANE OF PGA PACKAGE IN SOCKET IS ON CERAMIC SURFACE OF PACKAGE.
- 8 DIMENSION INDICATES MIN. HOLE IN COVER OF SOCKET.

90	FLASH	2.36 [.093]	321	916715-4
90	0.00038 [.000015]	2.79 [.110]	321	916715-3
90	0.00038 [.000015]	2.36 [.093]	321	916715-2
90	0.00038 [.000015]	2.03 [.080]	321	916715-1
TRAY PACKAGED NUMBER OF SOCKETS PER SHIPPING BOX		MIN. GOLD THICKNESS 5?	DIM A	POSITION
				PART NUMBER



DIMENSIONS: mm (INCHES)		TOLERANCES UNLESS OTHERWISE SPECIFIED:		AMP 42 HOLT 12-1-95		AMP MANUFACTURING (SINGAPORE) PTE. LTD.	
0 PLC	±	1 PLC	±	NAME	SOCKET ASSY, SINGLE LEVER ZIF, PGA, 19 X 19 GRID, LOW PROFILE, RIGHT HAND		
2 PLC	±	2 PLC	±	SIZE	A1 00779		
3 PLC	±	3 PLC	±	CAGE CODE	C-916715		
4 PLC	±	4 PLC	±	DRAWING NO	C-916715		
ANGLES	±	5?	±	SCALE	3:1		
MATERIAL	4?	FINISH	5?	SHEET	OF 1		
CUSTOMER DRAWING				REV	H		