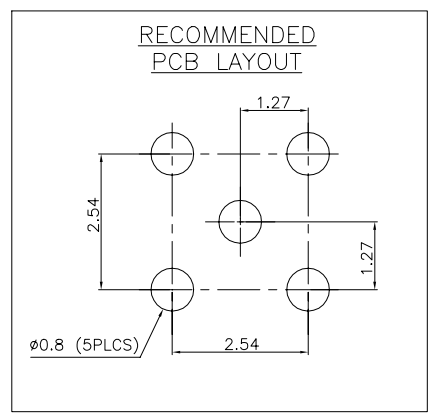
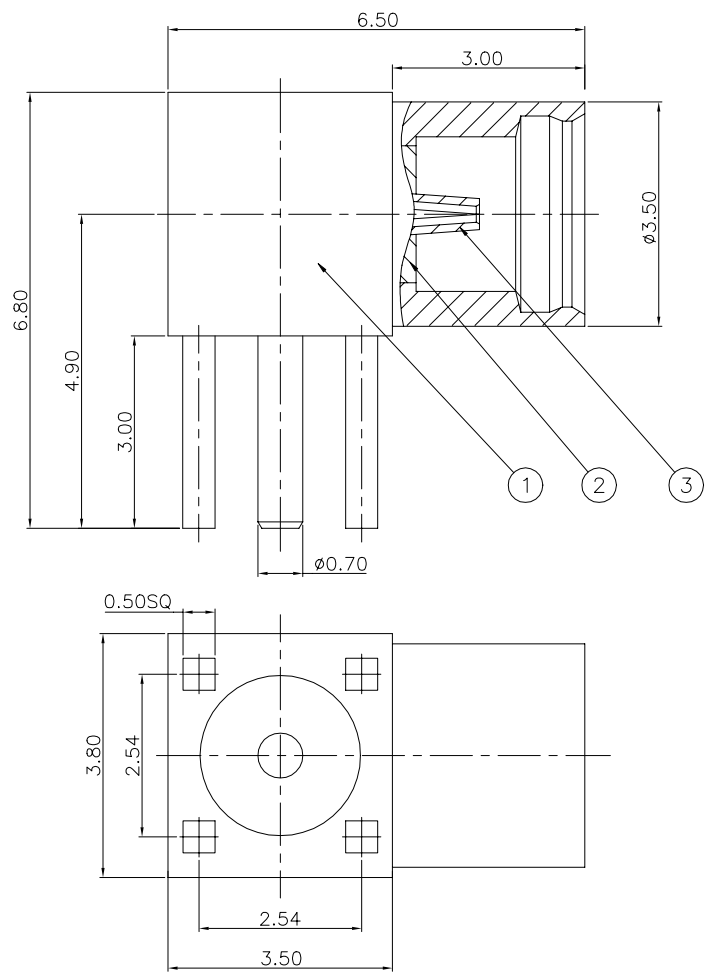


THIS DRAWING IS UNPUBLISHED. RELEASED FOR PUBLICATION NOV .2003.
 © COPYRIGHT 2003 By - ALL RIGHTS RESERVED.

REVISIONS					
P	LTR	DESCRIPTION	DATE	DWN	APVD
E2		REVISED PER ECR-20-009280	30JUN2020	RZ	RS

- NOTES:
- 1 SINGLE PACK IN ACCORDANCE WITH AMP SPEC 107-3275
 - 2 100 TRAY PACK IN ACCORDANCE WITH AMP SPEC 107-3275
 - 3 Au0.05um PLATING OVER Ni1.27um PLATING OVER Cu1um PLATING
 - 4 Au0.8um PLATING OVER Ni2.5um PLATING OVER Cu1um PLATING
 - 5 Au0.08um PLATING OVER Ni2.5um PLATING OVER Cu1um PLATING
 - 6. FOR TECHNICAL DATA REFER TO YOUR LOCAL TE CONNECTIVITY SALES OFFICE
 - 7. ALL DIMENSIONS ARE NOMINAL FOR REFERENCE ONLY UNLESS OTHERWISE STATED



QTY	QTY PER ASSY	QTY PER ASSY	QTY PER ASSY	QTY PER ASSY	MATERIAL	DESCRIPTION	ITEM
-	1	1	-	-	BERYLLIUM COPPER	SOCKET	3
1	-	-	1	-	BERYLLIUM COPPER	SOCKET	3
2	2	2	2	-	PTFE	INSULATOR	2
-	1	1	-	-	BRASS	BODY	1
1	-	-	1	-	BRASS	BODY	1
6--0	3--0	2--0	1--0	-			

ELECTRICAL	MECHANICAL	ENVIRONMENTAL
Impedance (Ohm) <u>50</u>	Interface Dimension CECC 22 000	TEMPERATURE RANGE <u>-55 TO + 125</u>
Frequency Range (GHz) <u>DC to 6GHz</u>	Force to Engage and Disengage (N) Engage: <u>18 MAXI</u> Disengage: <u>6 MINI</u>	THERMAL SHOCK <u>MIL-STD-202, METHOD107, B</u>
Voltage Rating (Peak) <u>0.50 V RMS</u>	Center Contact Captivation Axial (N) <u>6.0</u> Radial (In/Oz) <u>N/A</u>	CORROSION <u>MIL-STD-202, METHOD101, B</u>
Insulation Resistance (MIN.) <u>1000 M ohms</u>	Cable Retention Axial (Lbs) <u>N/A</u>	VIBRATION <u>MIL-STD-202, METHOD204, B</u>
Contact Resistance (Milliohms MAX) Center Contact <u>5.0</u> Outer Contact <u>2.5</u>	Mating cycles <u>500</u> cycles	MOISTURE RESISTANCE <u>MIL-STD-202, METHOD106</u>
Dielectric Withstand Voltage: <u>500 V RMS Max</u>		ROHS <u>COMPLIANT</u>
Insertion Loss : <u>N/A</u> dB		
VSWR: <u>1.35 MAXI</u> (GHz)		
RF leakage: <u>N/A</u>		
3rd Intermodulation: <u>N/A</u>		

THIS DRAWING IS A CONTROLLED DOCUMENT.

DIMENSIONS: mm	TOLERANCES UNLESS OTHERWISE SPECIFIED:
	0 PLC ± -
	1 PLC ± -
	2 PLC ± 0.15
	3 PLC ± -
	4 PLC ± -
	ANGLES ± -
MATERIAL SEE TABLE	FINISH SEE TABLE

DWN	J.SANDWELL	12NOV03
CHK	S.PARLOW	12NOV03
APVD	F.WHEELER-KING	12NOV03
PRODUCT SPEC	108-2084	
APPLICATION SPEC		
WEIGHT	0	

STE TE Connectivity			
NAME MMCX RIGHT ANGLE PCB MOUNT SOCKET RECEPTACLE 50 OHMS			
SIZE	CAGE CODE	DRAWING NO	RESTRICTED TO
A3	00779	C=1634010	-
CUSTOMER DRAWING		SCALE	SHEET
		NTS	1 of 1
		REV	E2