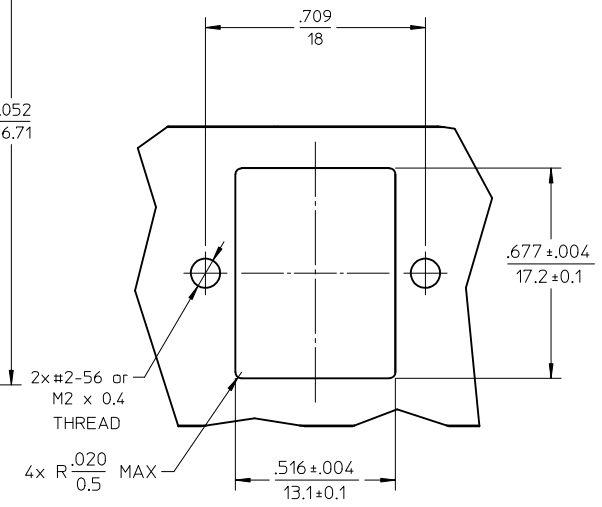
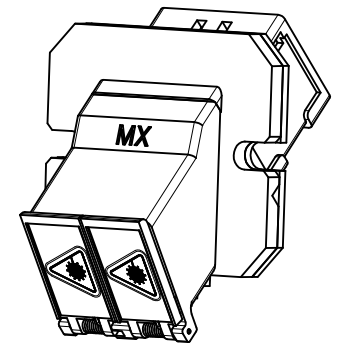
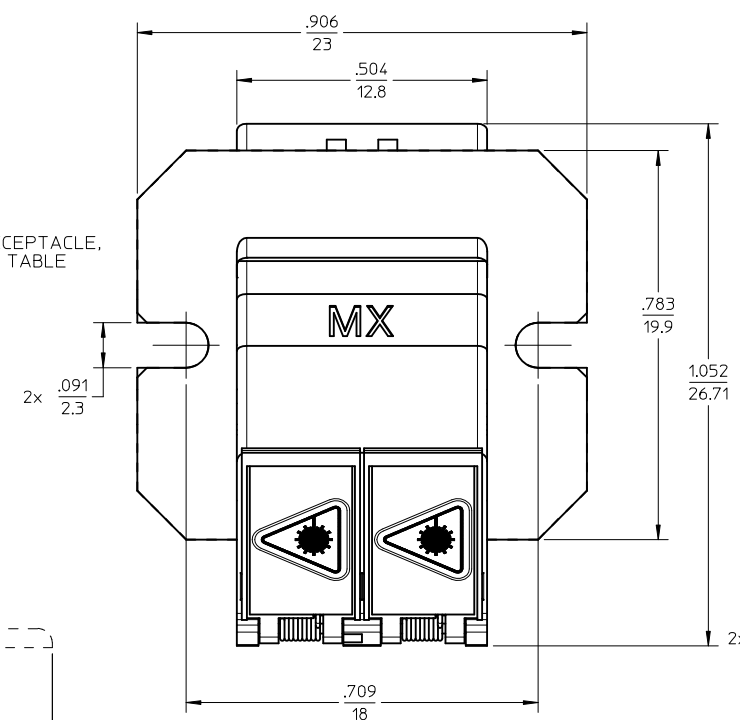
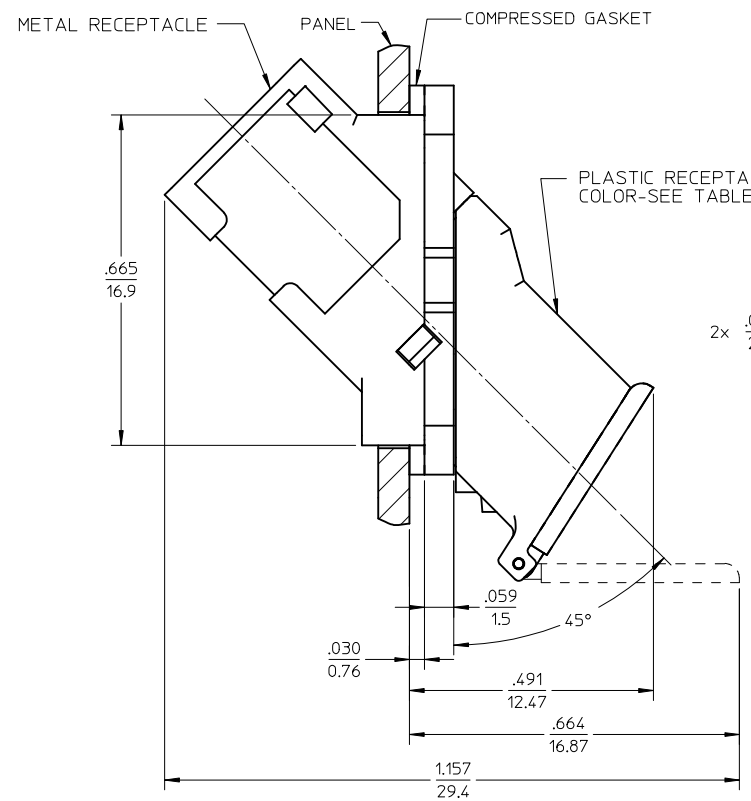


ADAPTER P/N	PLASTIC RECEPTACLE COLOR	SPLIT SLEEVE MATERIAL
106115-3100	BLUE	Zr
106115-3140	BEIGE	
106115-5100	GREEN	Ph. Bronze
106115-3106	BLUE	

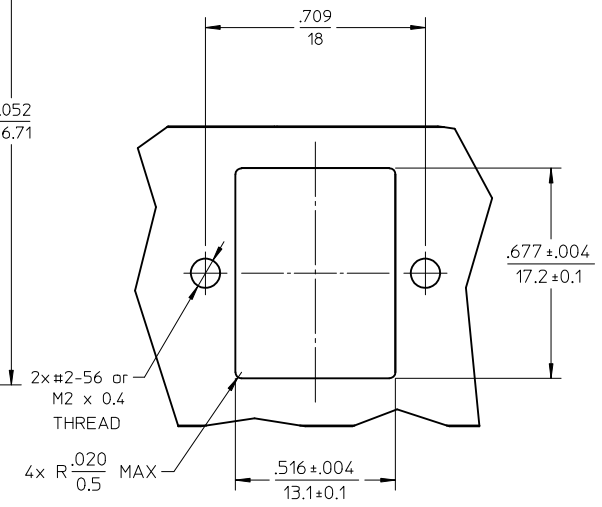
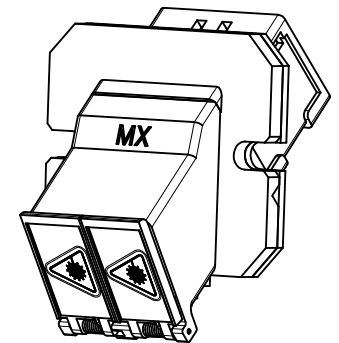
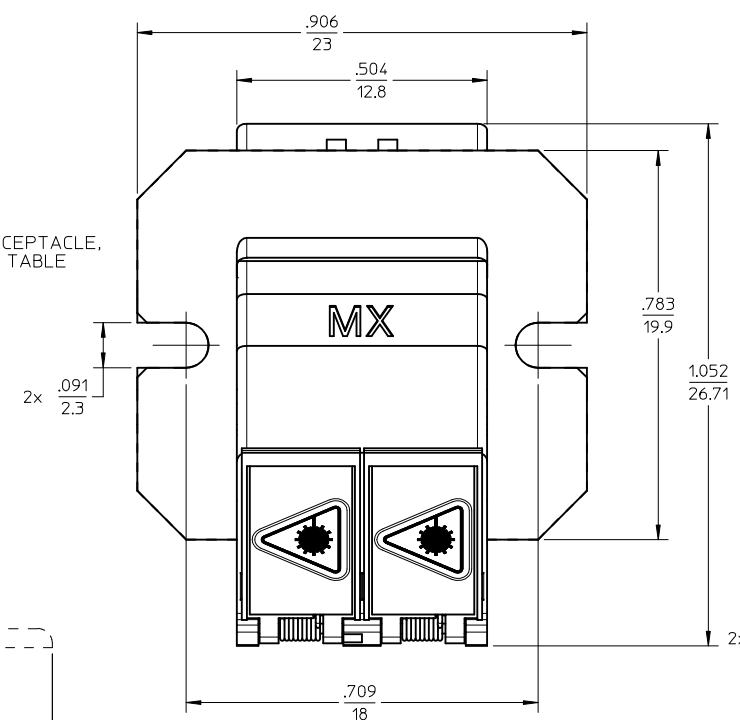
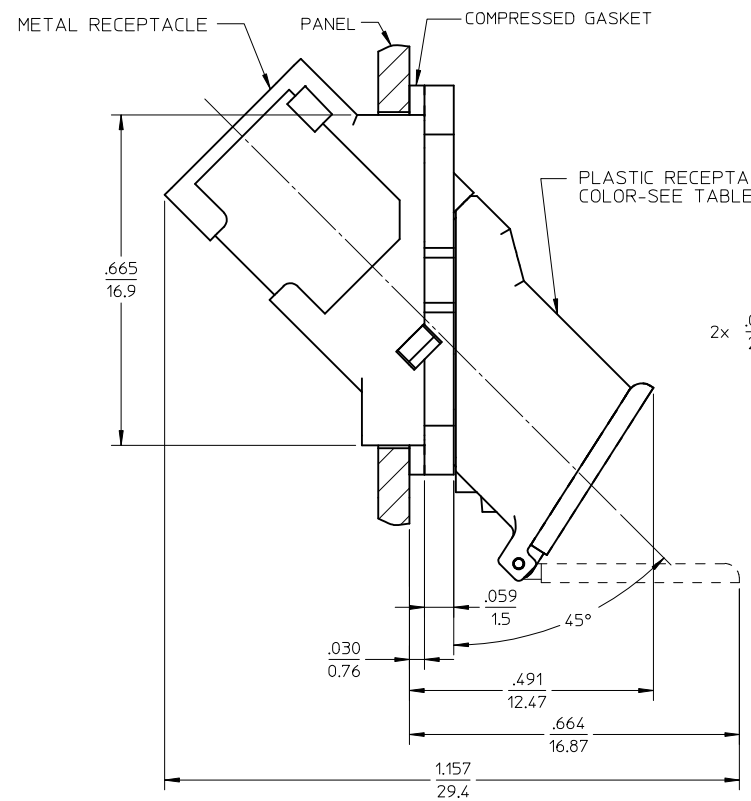


RECOMMENDED MOUNTING PATTERN
SCALE 2.5:1

- NOTES:
1. DIMENSIONS SHOWN ARE FOR REFERENCE ONLY.
 2. SILICONE GASKET WITH FILLER (SHOWN COMPRESSED) IS SUPPLIED WITH THE PART.
 3. LC DUPLEX WASH CAP NOT SHOWN.
 4. ADAPTERS TO BE PACKAGED IN TRAY.

ENTER DESCRIPTION IEC NO: MF2011-0127 DRAWN BY: KPEVZNER CHKD: 2010/09/16 APPR: WCHEN 2010/09/20	QUALITY SYMBOLS ▽=0 ▽=0	GENERAL TOLERANCES (UNLESS SPECIFIED) mm INCH 4 PLACES ± --- ± --- 3 PLACES ± --- ± --- 2 PLACES ± --- ± --- 1 PLACE ± --- ± --- ANGULAR ±1/2°	DIMENSION STYLE IN/MM DRAWN BY: KPEVZNER DATE: 2010/09/16 CHECKED BY: _____ DATE: _____	SCALE: 4:1 DESIGN UNITS: INCH THIRD ANGLE PROJECTION
	DRAFT WHERE APPLICABLE MUST REMAIN WITHIN DIMENSIONS		APPROVED BY: WCHEN DATE: 2010/09/16	TITLE: LC-D EMI ADAPTER, 45 DEGREE (SCREW MOUNT) MOLEX INCORPORATED
	MATERIAL NO. SEE TABLE		DOCUMENT NO. SD-106115-X10X	SHEET NO. 1 OF 1
	THIS DRAWING CONTAINS INFORMATION THAT IS PROPRIETARY TO MOLEX INCORPORATED AND SHOULD NOT BE USED WITHOUT WRITTEN PERMISSION			

ADAPTER P/N	PLASTIC RECEPTACLE COLOR	SPLIT SLEEVE MATERIAL
106115-3100	BLUE	Zr
106115-3140	BEIGE	
106115-5100	GREEN	Ph. Bronze
106115-3106	BLUE	



RECOMMENDED MOUNTING PATTERN
SCALE 2.5:1

- NOTES:
- DIMENSIONS SHOWN ARE FOR REFERENCE ONLY.
 - SILICONE GASKET WITH FILLER (SHOWN COMPRESSED) IS SUPPLIED WITH THE PART.
 - LC DUPLEX WASH CAP NOT SHOWN.
 - ADAPTERS TO BE PACKAGED IN TRAY.

ENTER DESCRIPTION IEC NO: WF2011-0127 DRAWN: KPEVZNER 2010/09/16 CHKD: 2010/09/16 APPR: WCHEN 2010/09/20	QUALITY SYMBOLS ▽=0 ▽=0	GENERAL TOLERANCES (UNLESS SPECIFIED) mm INCH 4 PLACES ± --- ± --- 3 PLACES ± --- ± --- 2 PLACES ± --- ± --- 1 PLACE ± --- ± --- ANGULAR ±1/2°	DIMENSION STYLE IN/MM DRAWN BY DATE KPEVZNER 2010/09/16 CHECKED BY DATE	SCALE 4:1 DESIGN UNITS INCH	THIRD ANGLE PROJECTION	
	DRAFT WHERE APPLICABLE MUST REMAIN WITHIN DIMENSIONS		APPROVED BY DATE WCHEN 2010/09/16	TITLE LC-D EMI ADAPTER, 45 DEGREE (SCREW MOUNT)		
	MATERIAL NO. SEE TABLE		DOCUMENT NO. SD-106115-X10X	MOLEX INCORPORATED		
	SIZE B		THIS DRAWING CONTAINS INFORMATION THAT IS PROPRIETARY TO MOLEX INCORPORATED AND SHOULD NOT BE USED WITHOUT WRITTEN PERMISSION			