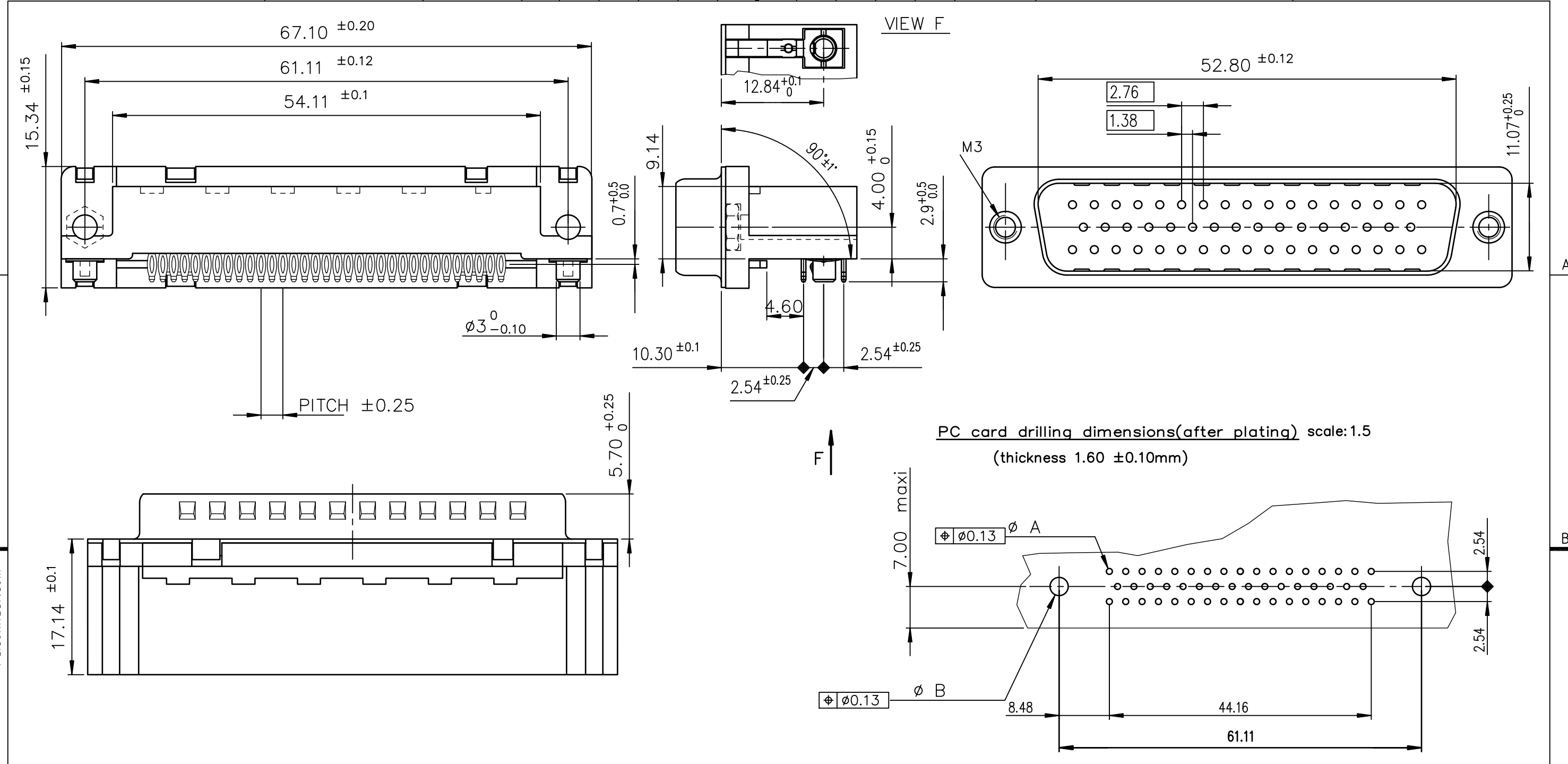




FCIconnect.com

Copyright FCI

form: A3



TIN LEAD PART NUMBER

D50P82C4GL00	D50P82C6GL00
Gold flash	0.76 μ gold

LEAD FREE PART NUMBER

D50P82C4GL00LF	D50P82C6GL00LF
Gold flash	0.76 μ gold

GENERAL CHARACTERISTICS AND ROHS INFORMATIONS:
SEE DRAWING C01-8646-0001

mat'l. code		surface ISO 1302		tolerance ISO 406 ISO 1101		projection		product family	
-		✓				MM		D-SUB	
ltr	ecn no	dr	date	tolerances unless otherwise specified		MM		title	
K	ELX-I-18050	MP	2014/06/23	angles	linear	scale 2:1		DELTA-D EUROSTYLE MALE 50 RIGHT ANGLED PRESS FIT	
				0°±2°				dwg no	
								sheet 1 of 1	
				dr	PESSON	1999/07/23	FCI		size
				engr	MITHUN PAUL	2014/06/23			A3
				chr	ALIAS BABU	2014/06/23			
				appd	BIJU K PAUL	2014/06/23			
sheet index	revision sheet	K	1	type Product Customer Drawing					