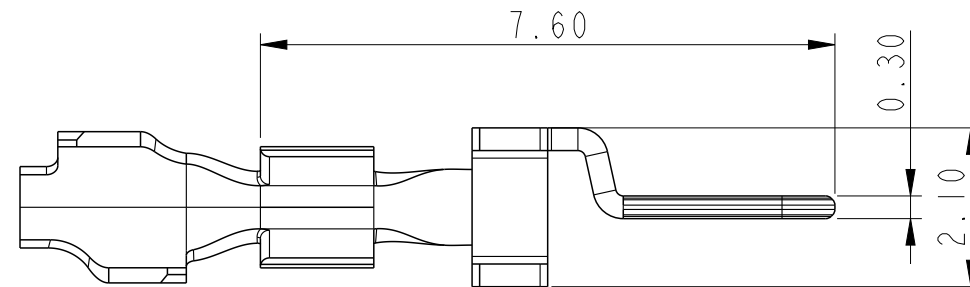


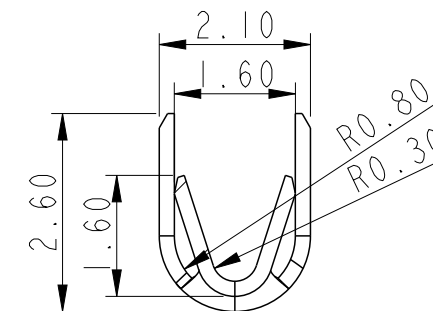
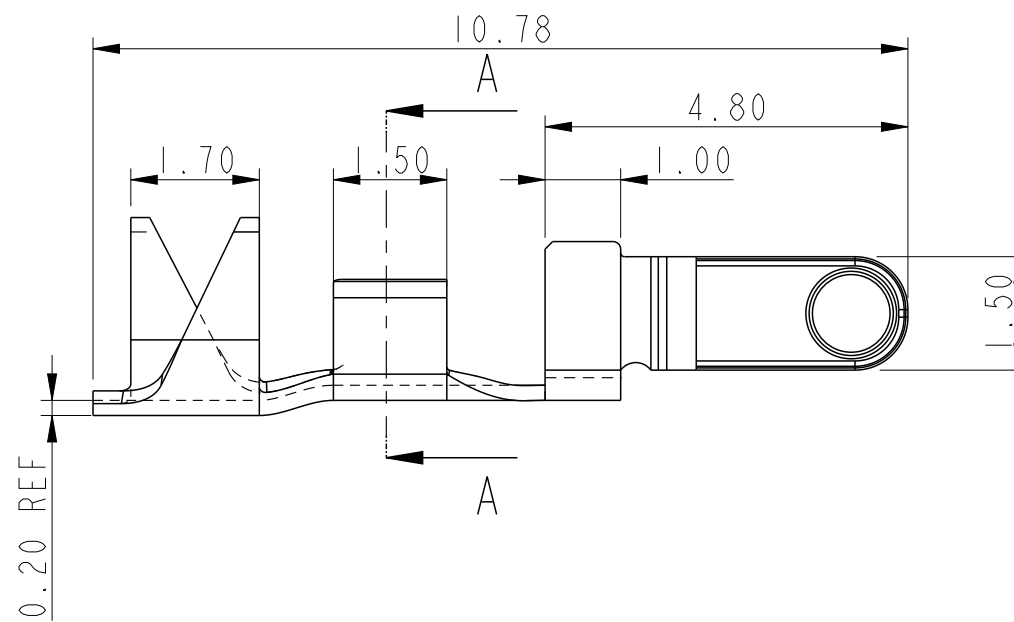
LOOSE PIECE	10120045-P01LF
ON STRIP	10120045-P02LF

NOTE:-

1. TERMINAL MATERIAL: COPPER ALLOY
2. PLATING FINISH:  
AU/GXT OVER NICKEL IN CONTACT AREA  
TIN OVER NICKEL IN TERMINAL AREA
3. LEAD FREE OR RoHS DIRECTIVE LABELING  
TO BE PROVIDED AS PER GS-14-920
4. "LF" SUFFIX TO THE PRODUCT NUMBER FOR RoHS  
COMPATIBLE/LEAD FREE VERSION
5. THIS PRODUCT MEETS EUROPEAN UNION  
DIRECTIVES AND OTHER COUNTRY  
REGULATIONS AS DESCRIBED IN GS-47-0004
6. WIRE RANGE: 22~30 AWG, STRANDED
7. MAX INSULATION DIA: 1.5
8. THIS PRODUCT HAS NOT COMPLETED VALIDATION TESTING

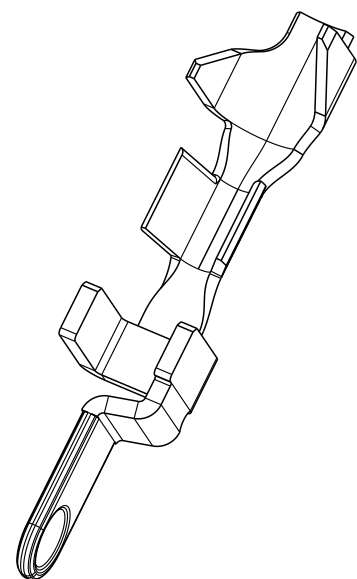


SCALE 10:1



SECTION A-A

**PRELIMINARY**



SCALE 8:1

spec ref		dr	Mathew Jacob	2015/03/30	projection	MM	size	A3	scale	10:1								
tolerance std		eng	Mathew Jacob	2015/07/06			ecn no	-	rel level	Preliminary								
ISO 406 ISO 1101		chr	-	-							product family	ROTACONNECT						
surface					title		dwg no		rev									
ISO 1302					CTW PLUG TERMINAL		10120045-P0X		1									
linear		<table border="1"> <tr><td>0.X</td><td>±0.20</td></tr> <tr><td>0.XX</td><td>±0.13</td></tr> <tr><td>0.XXX</td><td>±0.05</td></tr> </table>			0.X	±0.20	0.XX	±0.13	0.XXX	±0.05	www.fci.com		cat. no.		SEE TABLE		Product - Customer Drw	
0.X	±0.20																	
0.XX	±0.13																	
0.XXX	±0.05																	
angular		0° ±2°			Product - Customer Drw		sheet 1 of 1											