

PFS-328-6-4-0300

Flow Sensor

RoHS

REACH

Electrical Characteristics

@ 25°C

Contact form		A
Contact rating max.	W / VA	50/50
Switching voltage max.	VDC	200
	VAC	250
Switching current max.	A	1.5
Carry current max.	A	2.5
Breakdown voltage min.	VDC	400
Total resistance max. (initial)	mΩ	200
Insulation resistance min.	Ω	10 ¹⁰

Environmental Characteristics

Operating temperature	-20 to +85 °C
-----------------------	---------------

Mechanical Characteristics

Allowed media	Water, air
Mounting	Vertical +/- 15°
Bolting (DIN ISO 228-1)	G1/2

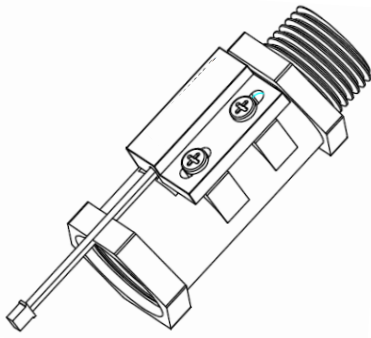
Material Information

Housing	PA6+30%GF, BKV30,26.8x65.0mm , black
Reedsensor	MS-328-6-4-0300
Float	ABS/PA-757, natural, Ø16x26.6mm
Cable	UL1007, AWG 24, black , standard 300 mm, 4mm stripped and tinned, measured from end of MS-328-sensor housing

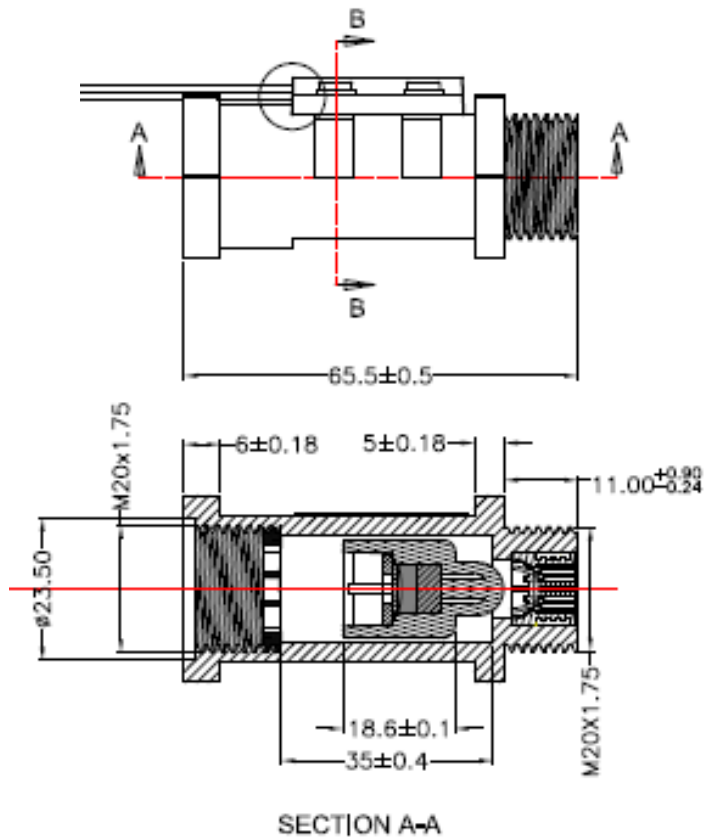
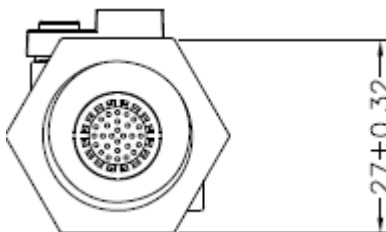
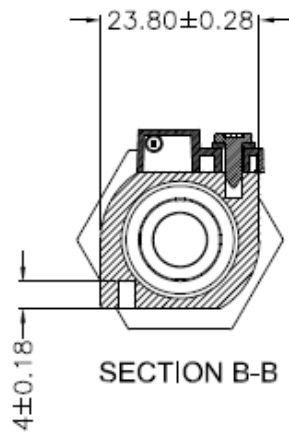
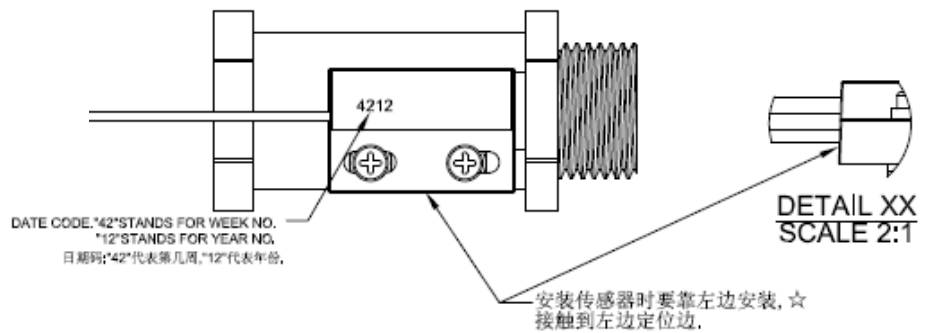
Product image serves as example only.

PFS-328-6-4-0300

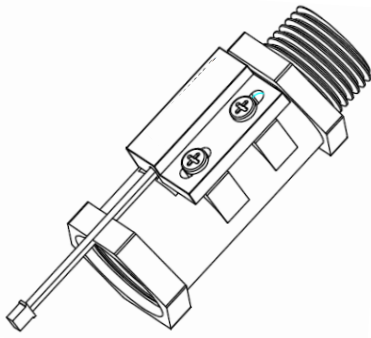
Flow Sensor



Dimensions



Product image serves as example only.

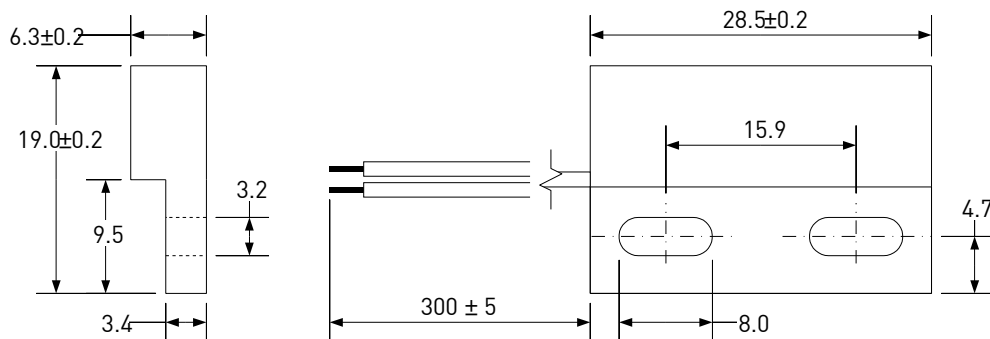


PFS-328-6-4-0300

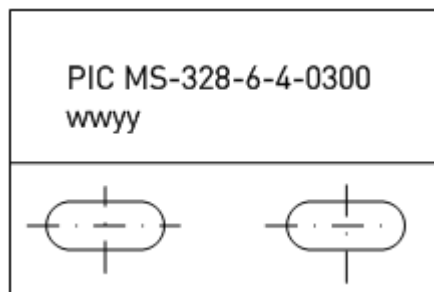
Flow Sensor

Premounted reedsensor dimension

Cable length and terminal/connector on customer request optional



Printing:



Remarks

When mounted near ferromagnetic parts switching distance of PFS-328 may vary. Electromagnetic influences and magnetic fields may change the switching behaviour of the sensor.

Suitable for use in water and dilute acids.

Product image serves as example only.