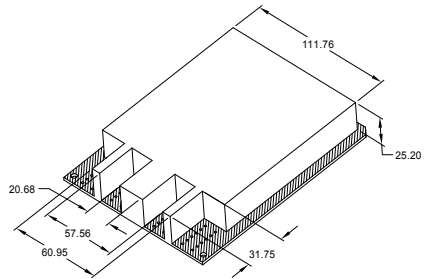
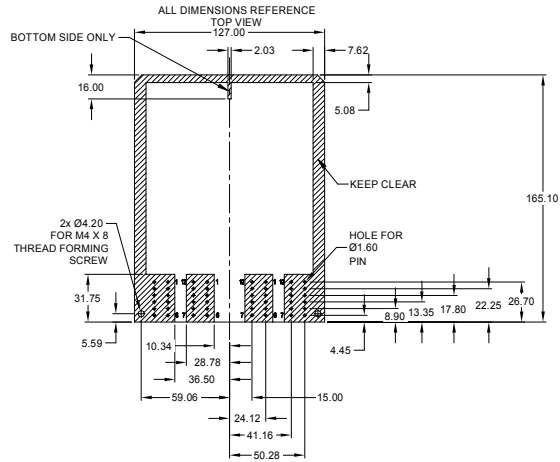


CIRCUIT BOARD HOLE LOCATIONS
LOCATIONS AND KEEP CLEAR AREAS FOR
AREAS FOR

AT13-12PA-R015, AT13-12PA-GR02
 AT13-24PAB-BM03, AT13-24PAB-BM01
 AT13-36PABC-BM03, AT13-36PABC-BM01
 AT13-48PABCD-BM03, AT13-48PABCD-BM01
 BOARD THICKNESS IN KEEP CLEAR ARE TO BE 2.36±0.1

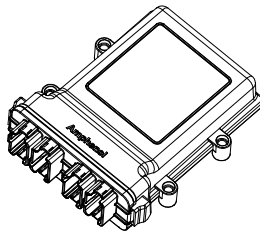
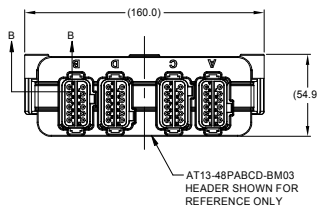
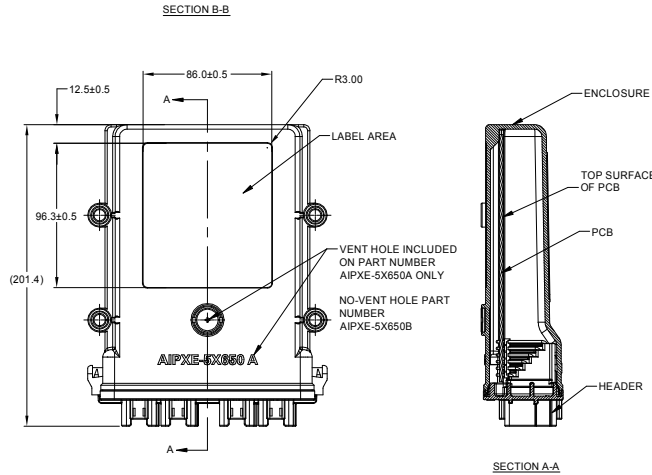
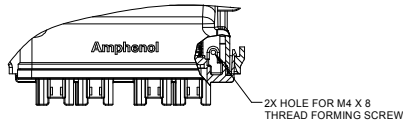


THREE DIMENSIONAL SPACE LIMIT
 APPROXIMATE INTERNAL SPACE
 FOR COMPONENT SPACE LAYOUT
 MAX. COMPONENT HEIGHT UNDER BOARD 4.00 mm.

NOTES: UNLESS OTHERWISE SPECIFIED

- MATERIAL: NATURAL POLYCARBONATE
- THIS ENCLOSURE MATES WITH AT13-12P2-XXXX (EXCEPT AT13-12P2-BMXX) HEADERS (⁺=PIN ARR. 12, 24, 36, 48; ⁺=KEY ARR. A, B, C, D).
- RoHS COMPLIANT
- ALL DIMENSIONS ARE FOR REFERENCE USE ONLY.

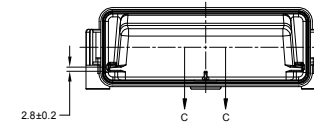
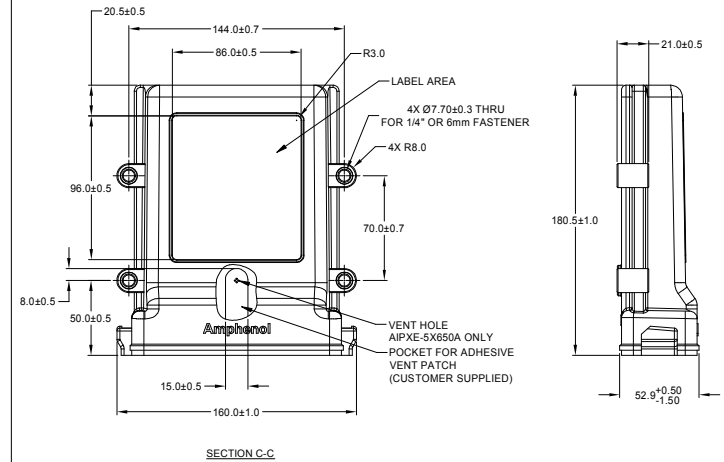
ASSEMBLED HEADER SHOWN FOR REFERENCE



3D VIEW
 AT13-48PABCD-BM03 AND AT13-48PABCD-BM01
 HEADER AND MOUNTING
 HARDWARE SHOWN FOR REFERENCE ONLY

REVISIONS

REV	ECO	DESCRIPTION	DATE	BY	APPR
A1	-	NEW RELEASE	12DEC2019	ZENIN	TOMMY



PART NUMBER CHART	
VENT HOLE	PART NUMBER
WITH VENT HOLES	AIPXE-5X650A-E017
WITHOUT VENT HOLES	AIPXE-5X650B-E017

SEE PART NUMBER CHART

PART NUMBER

DESCRIPTION

ITEM

QUANTITY

MATERIALS LIST

UNLESS OTHERWISE SPECIFIED

- All dimensions are in metric (mm).
- Tolerances are as follows:
 1 PL DEC ±0.30
 2 PL DEC ±0.15
 3 PL DEC ±0.08
 Fractions ±1/64
 Angles ±1°
- Note reference =

SIGNATURES DATE

DRAWN: ZENIN DENG 12DEC19
 CHECKED: ORION LI 12DEC19
 ENGINEER:

APPROVAL: TOMMY XIE 12DEC19

CUSTOMER:

MATERIAL SPECIFICATIONS:

PROCESS SPECIFICATIONS:

NEXT ASSY:

THIS DRAWING IS SUPPLIED FOR INFORMATION ONLY. DESIGN FEATURES, SPECIFICATIONS AND PERFORMANCE DATA SHOWN HEREON ARE THE PROPERTY OF THE AMPHENOL CORPORATION. NO RIGHTS OF REPRODUCTION ARE IMPLIED. ALL DIMENSIONS ARE SUBJECT TO NORMAL MANUFACTURING VARIATIONS.

SIZE TYPE DWG NO. REVISION

B C- AIPXE-5X650x-E017 A1

SCALE NONE SHEET 1 OF 1

TITLE: ARMOR IPX PCB ENCLOSURE, 127x165mm PCB, SHOWN WITH 48 PIN HEADER

DWG NO:

AIPXE-5X650X-E017

REV: A1

SH: 1

OF: 1

ARMOR IPX PCB ENCLOSURE, 127x165mm PCB, SHOWN WITH 48 PIN HEADER

Amphenol

Sine Systems - www.amphenol-sine.com
 44724 Morley Drive
 Clinton Township, MI 48036