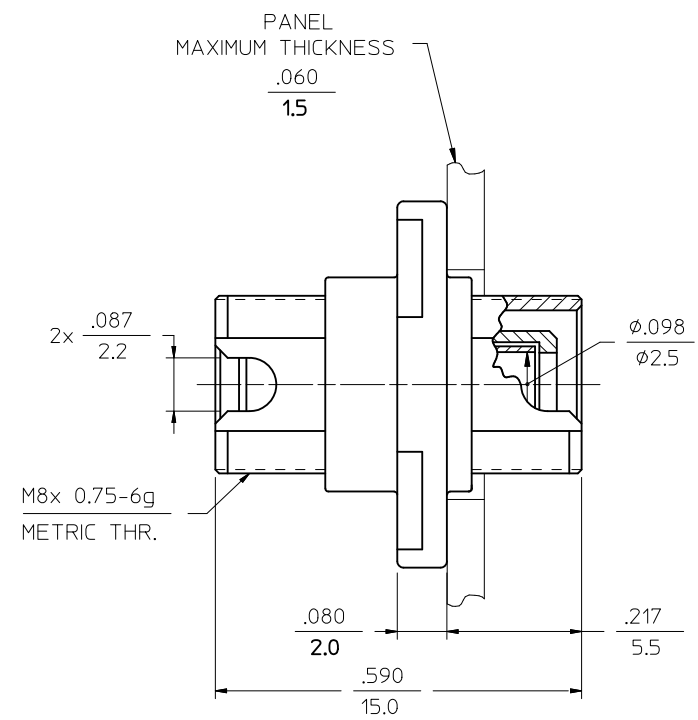
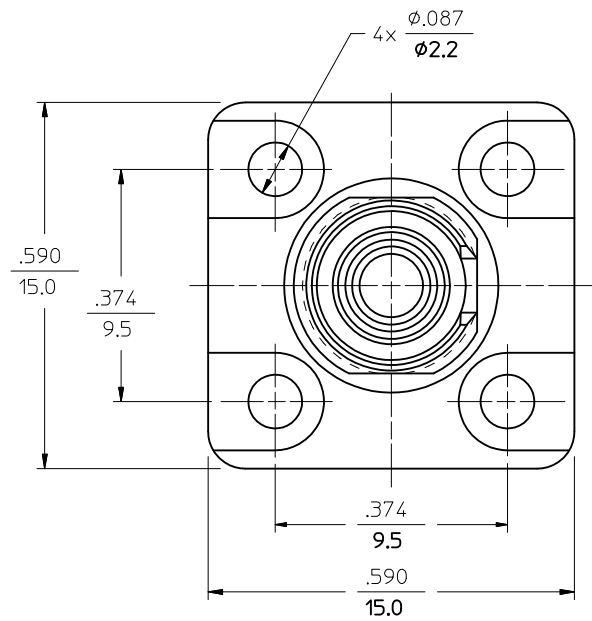
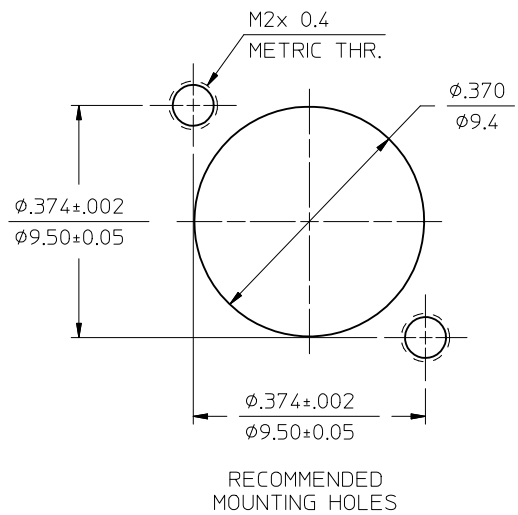


P/N OF ADAPTER	MATERIAL OF SLEEVE	APPLICATION
106152-0100	ZR	SM & MM
106156-0100	PHOSPHOR BRONZE	SM & MM



NOTE:
1. DUST CAPS ARE NOT SHOWN, BUT ARE INCLUDED.

ENTER DESCRIPTION EC NO: MF2010-0379 DRW: DRW/KPEVZNER CHKD: 2010/03/05 APPR: IGUMIN 2010/04/05 A2	QUALITY SYMBOLS 	GENERAL TOLERANCES (UNLESS SPECIFIED)		DIMENSION STYLE IN/MM		SCALE 1:1	DESIGN UNITS INCH	THIRD ANGLE PROJECTION	
		4 PLACES \pm --- \pm --- 3 PLACES \pm --- \pm --- 2 PLACES \pm --- \pm --- 1 PLACE \pm --- \pm ---	mm INCH	DRAWN BY PGIBLIN	DATE 2005/10/25	TITLE FC ADAPTER (SQUARE FLANGE)			
		ANGULAR $\pm 1/2^\circ$		APPROVED BY IGUMIN	DATE 2010/03/05	MOLEX INCORPORATED			
		DRAFT WHERE APPLICABLE MUST REMAIN WITHIN DIMENSIONS		MATERIAL NO. SEE TABLE	DOCUMENT NO. SD-10615X-0100	SHEET NO. 1 OF 01			