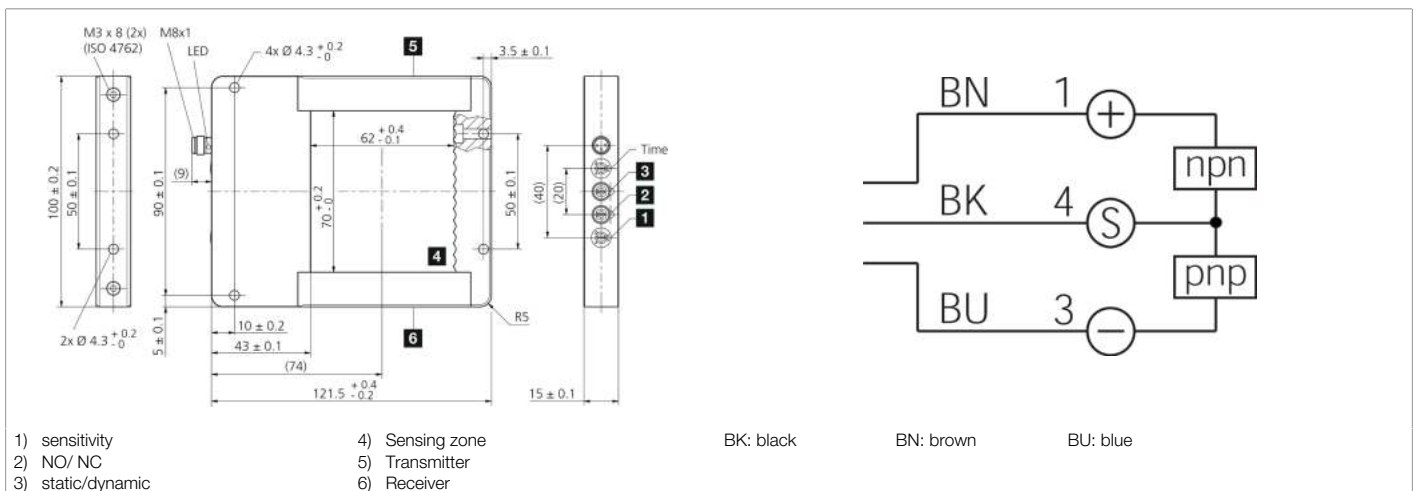


**213349**  
**OGWSD-70G3-T3**  
**Frame light barrier**

- IO-Link
- Frame structure
- Robust metal housing
- Baffle protection at the optics
- Cross bar, removable
- High resolution
- Short response time
- Potentiometer for adjustment
- Operating principle: dynamic or static
- 4 operating modes as an IO-Link parameter



Function											

Technical data (typ.)	+20°C, 24 V DC
Service voltage	18 ... 30 V DC
No-load current (max.)	40 mA
Inverse polarity protection	Yes
Short-circuit protection	Yes
Housing dimensions	121,5 x 100 x 15 mm
Housing material	Aluminum (Black, Anodized)
Material	Plastic (Window)
Weight	210 g
Protection class	III, operation on protective low voltage
Operating principle	Optical
Evaluation	Switching, Dynamic/static switchable
Operating modes	Static, Dynamic, Shadowing
Switching output	Push-pull, 100 mA, NO/NC, switchable
Voltage drop (max.)	2 V
Interface	<ul style="list-style-type: none"> <li>■ IO-Link V1.1.3, COM2 (Smart Sensor Profile)</li> <li>■ 2nd Edition V1.1 SSP 4.1.1</li> </ul>
Pulse stretching	0 ... 150 ms adjustable
Light source	LED
Color	Infrared
Detection range	70 x 62 mm
Resolution	Ø 2,0 mm (static), Ø 1,5 mm (dynamic)
Sensitivity adjustment	Potentiometer



**213349**  
**OGWSD-70G3-T3**  
**Frame light barrier**

<b>Technical data (typ.)</b>	<b>+20°C, 24 V DC</b>
Display	LED yellow - Switching output
Response time	0,05 ms
Release time	0,05 ... 10.000 ms
Ambient temperature during operation	-10 ... +60 °C
Protection type	IP 67
Connection	Connector, M8, 3-pin
Connection cable	TK ...
<b>More information / accessories</b>	<b><a href="https://www.di-soric.com/213349">https://www.di-soric.com/213349</a></b>