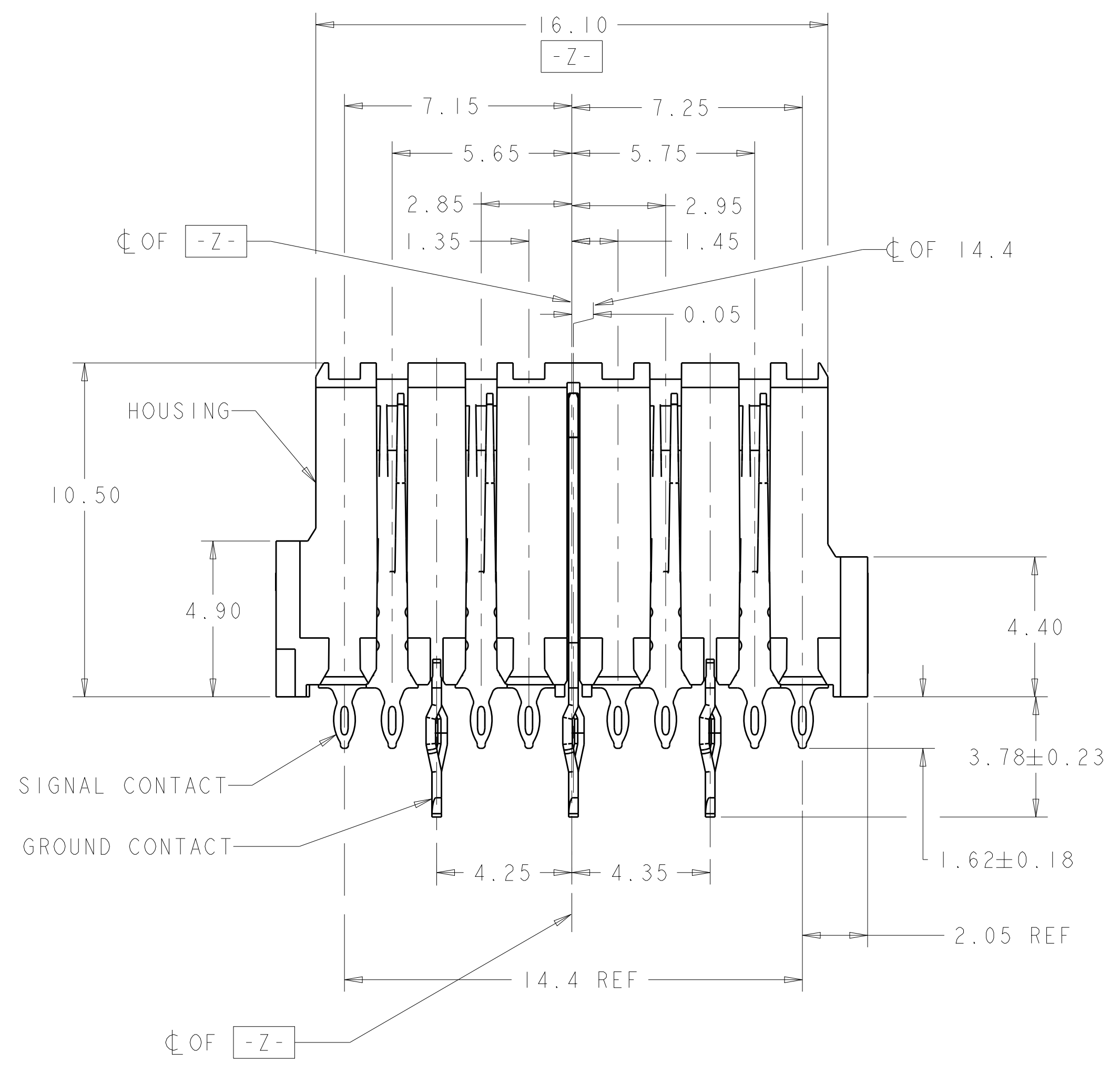
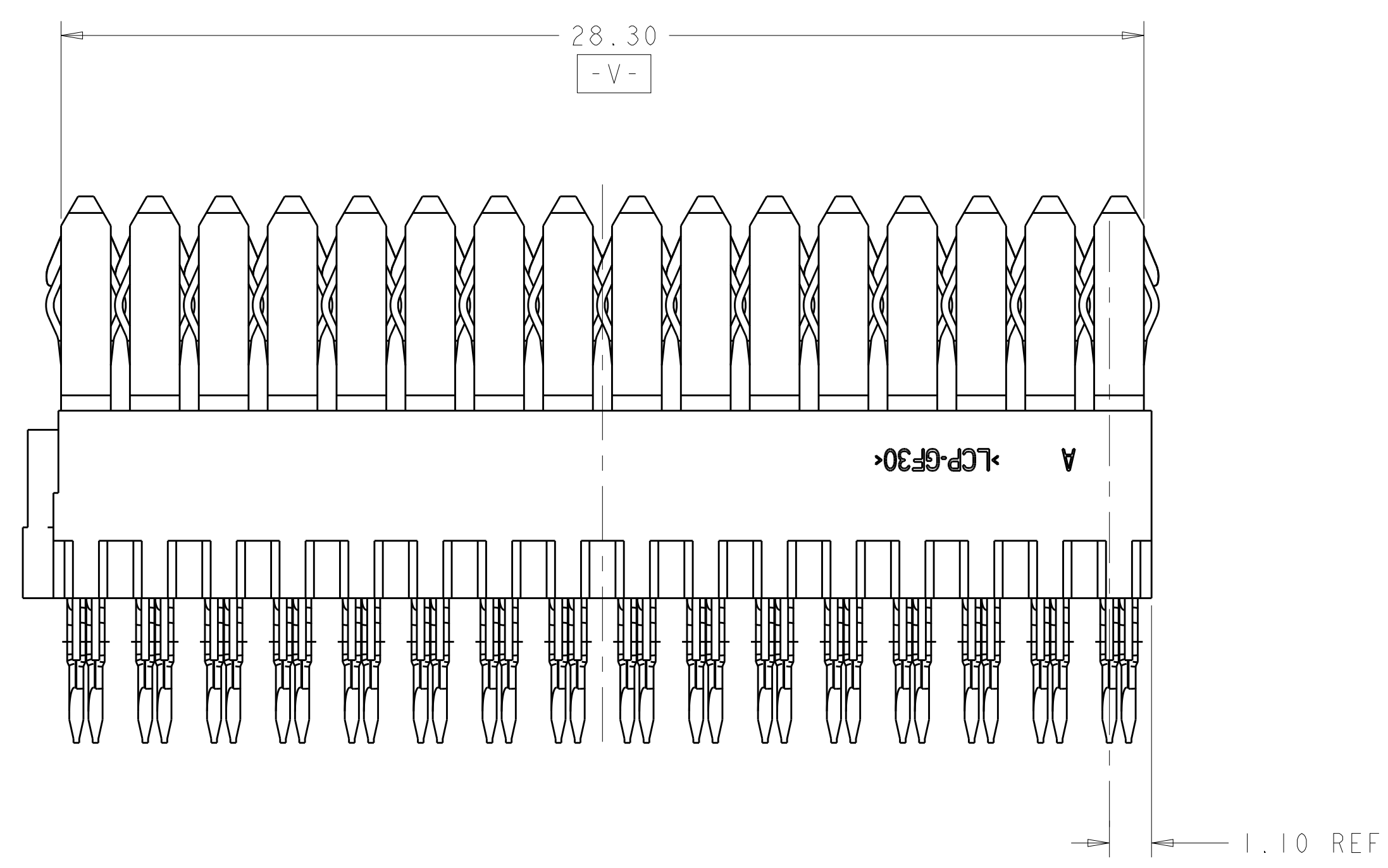
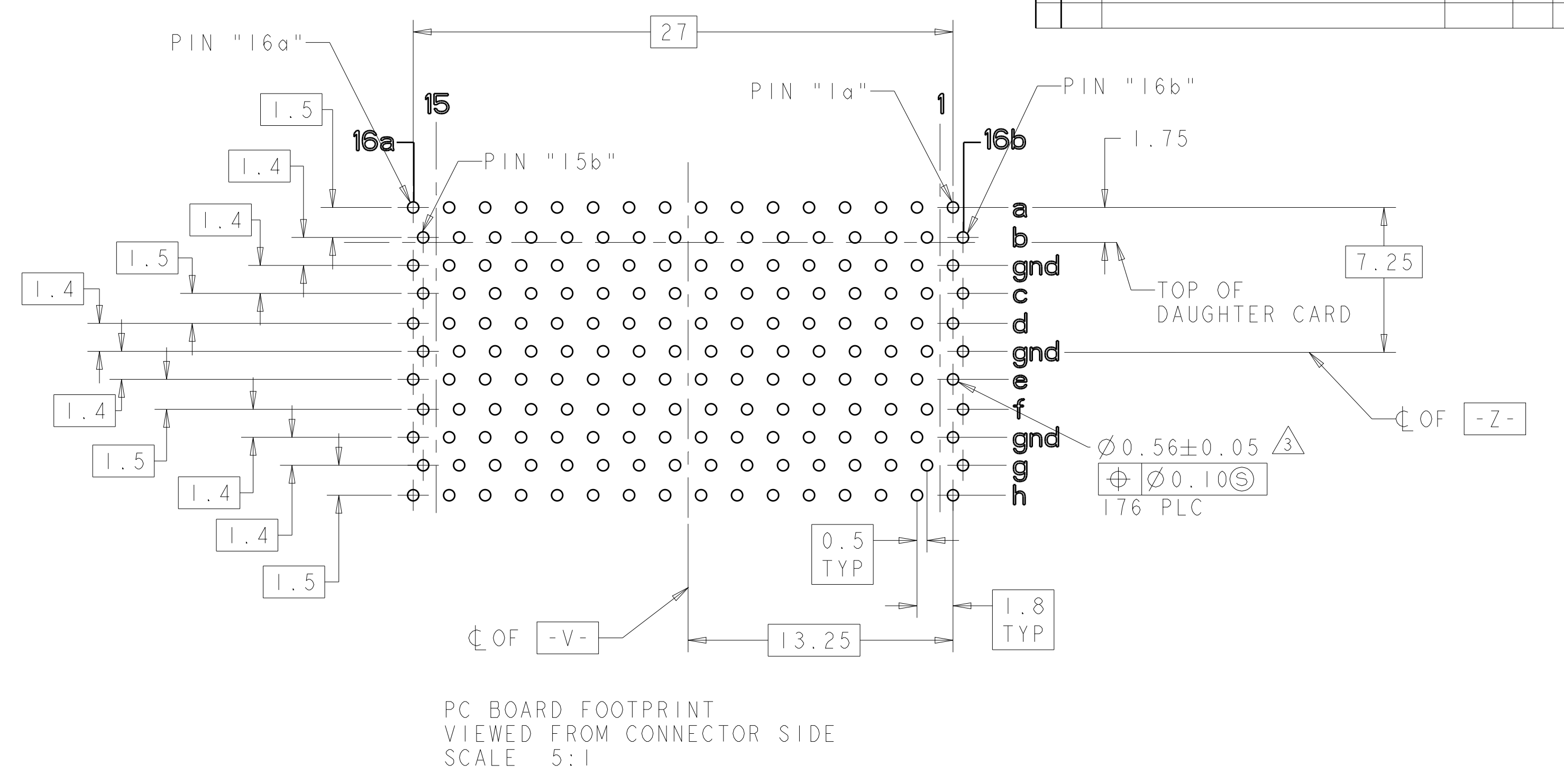
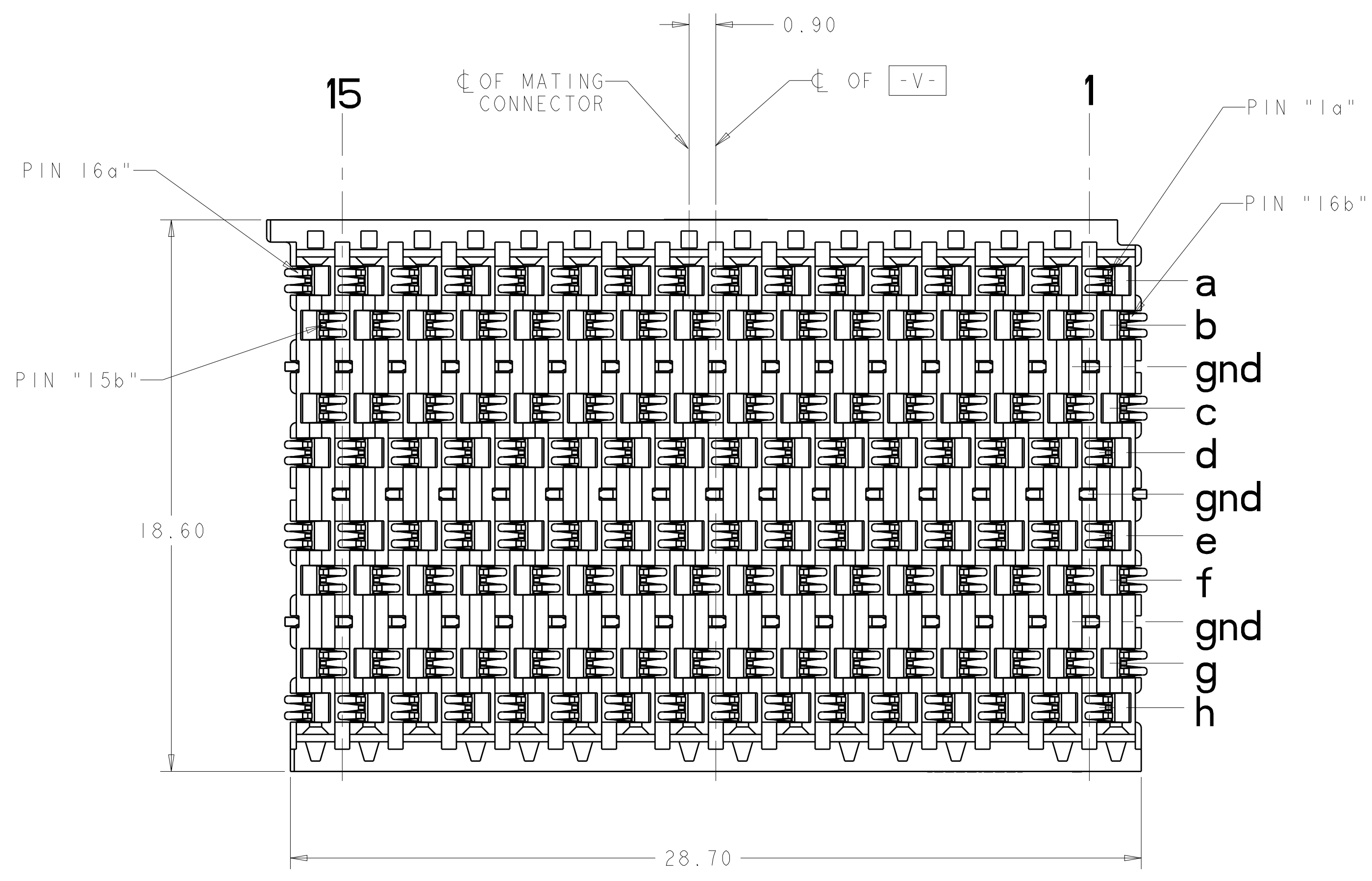


REVISIONS				
P	LTN	DESCRIPTION	DATE	APPV
D	REV PER EC	14-012106	8-7-14	CT DH



- ① HOUSING: LCP, UL94V-0, BLACK. CONTACT: PHOSPHOR BRONZE.
- ② 1.27  $\mu$ m GOLD PER ASTM B 488 IN CONTACT AREA, 1.27  $\mu$ m MIN TIN-LEAD ON PCB TAIL, OVER 3.81  $\mu$ m MIN NICKEL PER SAE AMS-QQ-N-290 OVER ALL.
- ③ PLATE THROUGH HOLES PER TE SPEC. 114-13056, FIGURE 4.
- ④ 1.27  $\mu$ m GOLD PER ASTM B 488 IN CONTACT AREA, 1.27  $\mu$ m MIN MATTE TIN PER ASTM B 545 ON PCB TAIL, OVER 3.81  $\mu$ m MIN NICKEL PER SAE AMS-QQ-N-290 OVER ALL.

④	1410200-2
② ③	1410200-1
CONTACT TAIL/HOLE FINISH	PART NO

THIS DRAWING IS A CONTROLLED DOCUMENT.		OWN: REESER 19OCT2001	TE Connectivity VERTICAL RECEPTACLE ASSEMBLY, CENTER, FULL, 20.3mm, MultiSig RT-1 BACKPLANE CONNECTOR
DIMENSIONS: mm		CHK: W. VAN SCYOC 19OCT2001	
TOLERANCES UNLESS OTHERWISE SPECIFIED:		APPV: D. DEBRAUGH 19OCT2001	
0 PLC ±0.5 1 PLC ±0.5 2 PLC ±0.13 3 PLC ±0.13 4 PLC ±0.13 ANGLES ±1°		PRODUCT SPEC: 108-2072 APPLICATION SPEC: 114-13056 WEIGHT: - CUSTOMER DRAWING	
MATERIAL: ①		SIZE: A1	RESTRICTED TO: -
FINISH: ②		SCALE: 8:1	SHEET: 1 OF 1