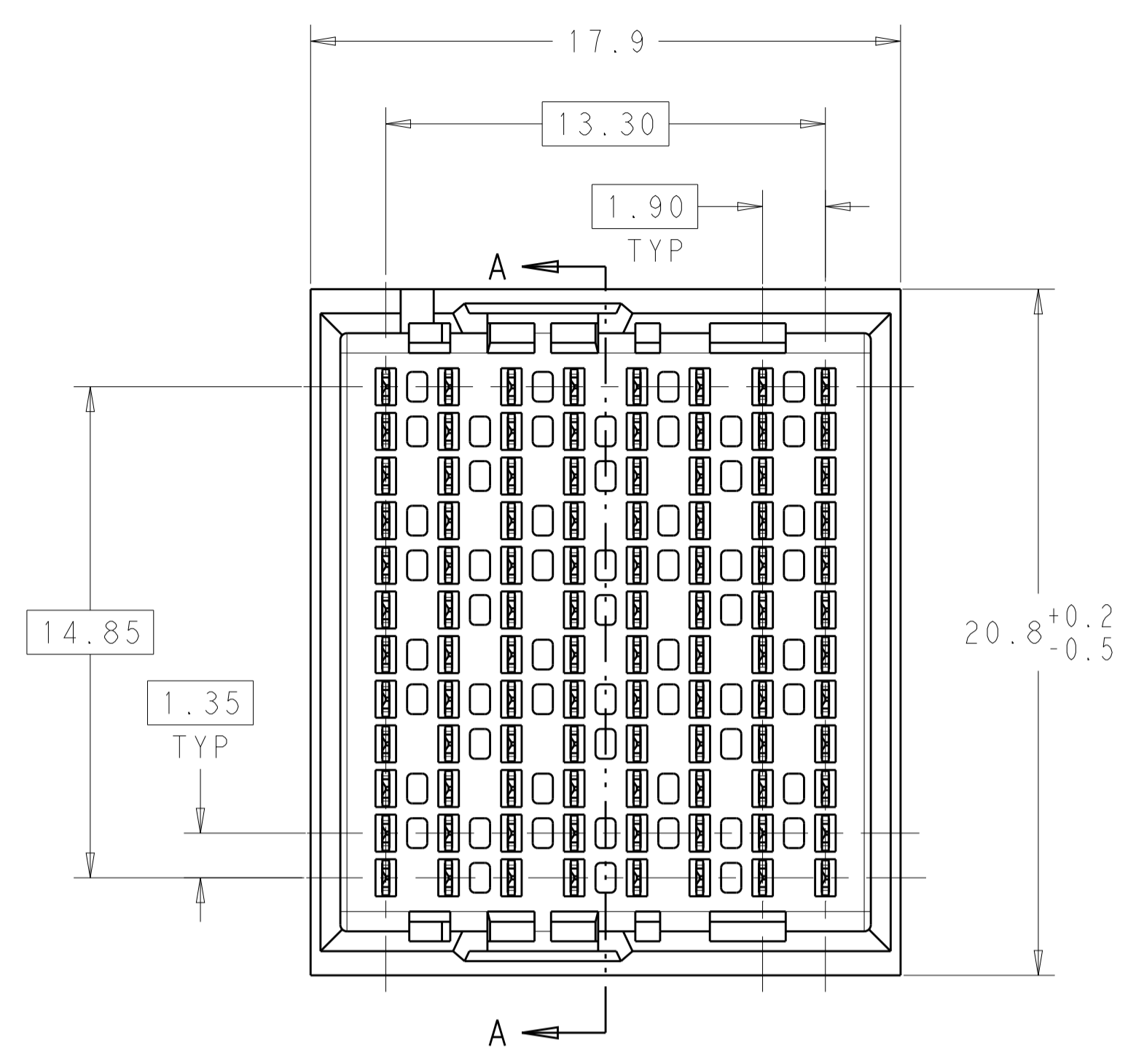
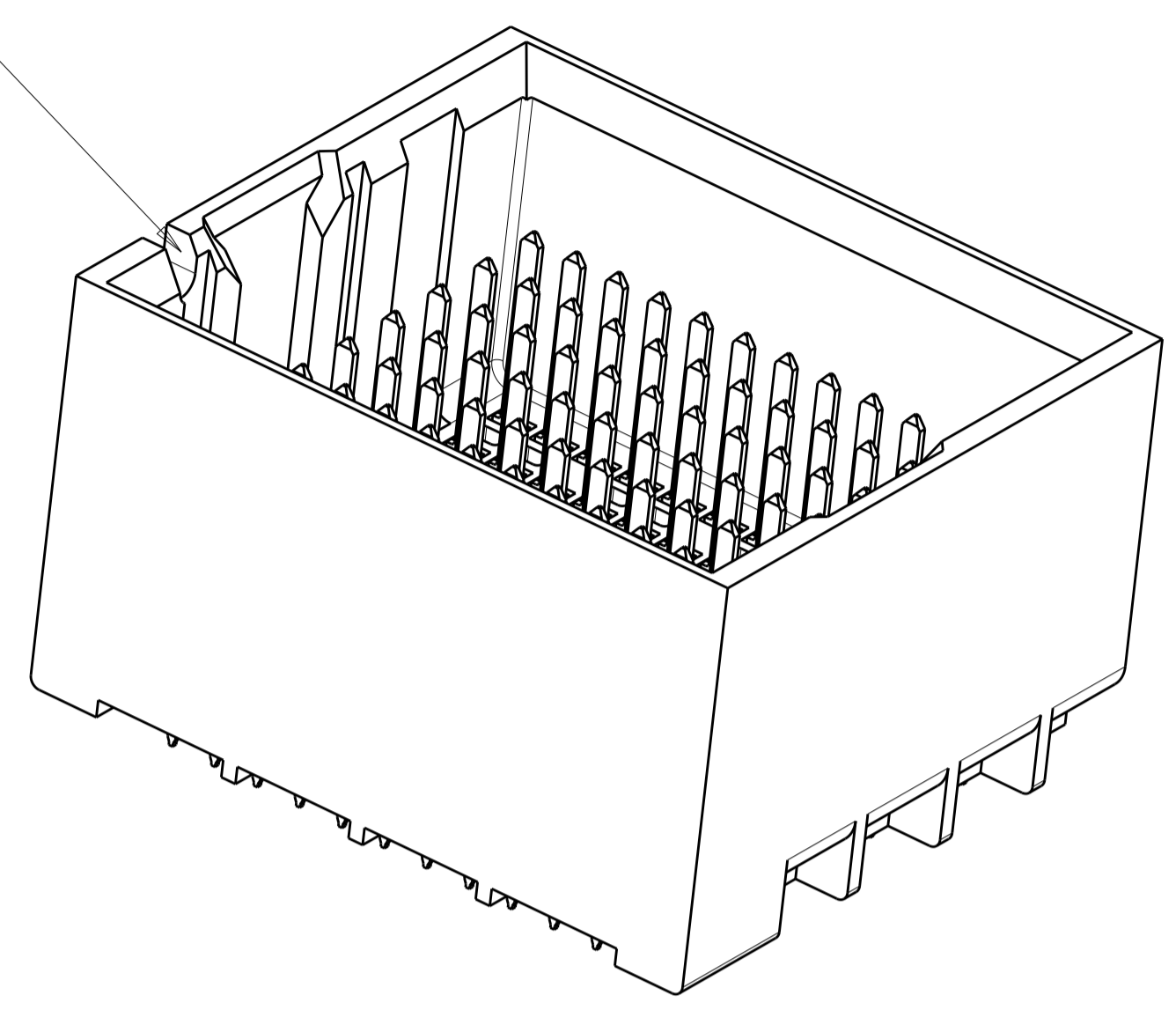


| LOC |    | DIST |     | REVISIONS                 |           |     |      |
|-----|----|------|-----|---------------------------|-----------|-----|------|
| AD  | 00 | P    | LTN | DESCRIPTION               | DATE      | DWN | APVD |
|     |    | A1   |     | REVISED PER ECO-15-003239 | 24MAR2015 | AP  | DD   |

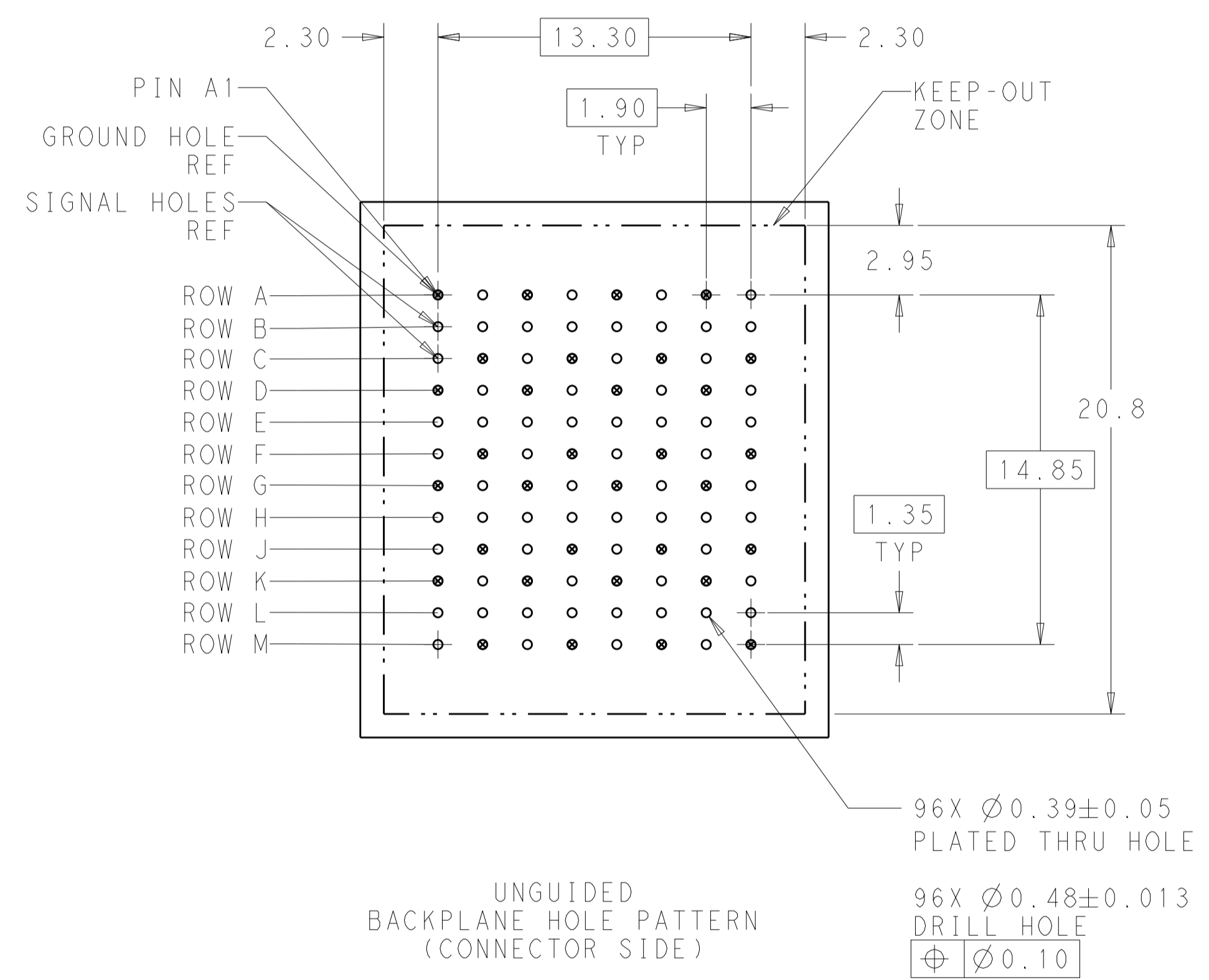


NOTCH DESIGNATES ROW A



⚠ MATERIAL:  
HOUSING: LCP, GLASS FILLED, UL94V-0.  
TERMINALS: HIGH PERFORMANCE COPPER ALLOY.

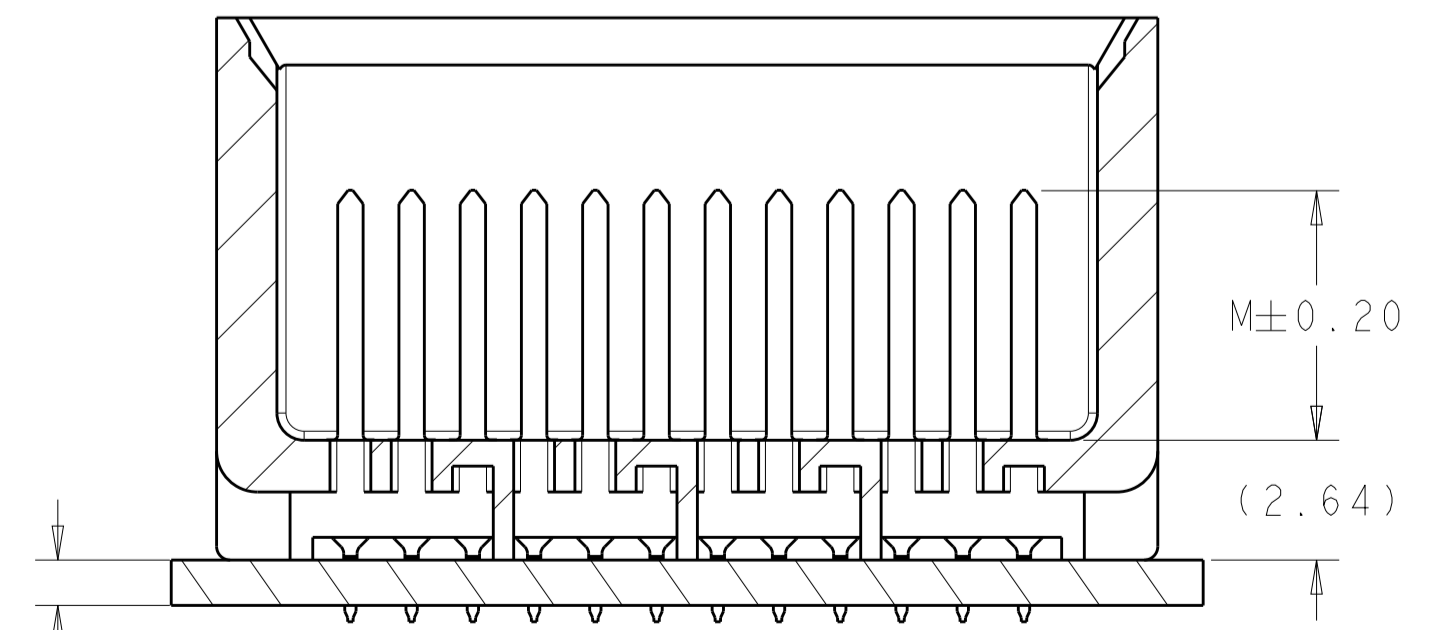
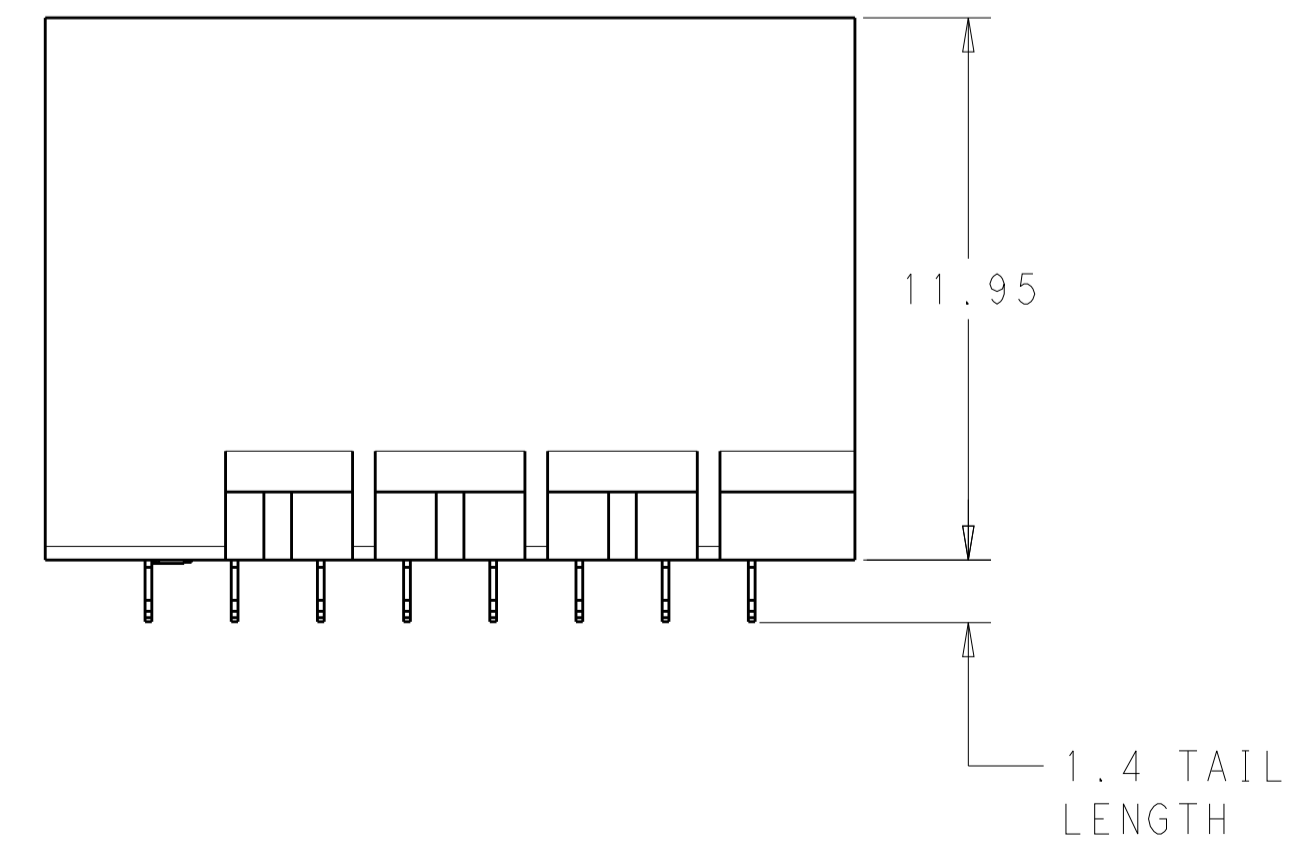
⚠ FINISH:  
30μ" MIN GOLD IN CONTACT AREA. SELECTIVE TIN ON PCB TAILS, NICKEL OVERALL.



UNGUIDED BACKPLANE HOLE PATTERN (CONNECTOR SIDE)

96X Ø0.39±0.05 PLATED THRU HOLE

96X Ø0.48±0.013 DRILL HOLE  
⊕ Ø0.10



1.00 MINIMUM BOARD THICKNESS

SECTION A-A

|  |                   |                            |  |
|--|-------------------|----------------------------|--|
| THIS DRAWING IS A CONTROLLED DOCUMENT. |                   | DWN: KIRAN HOLAL 02JAN2014 | TE Connectivity                        |
| DIMENSIONS: mm                         |                   | CHK: D. DIXON 02JAN2014    |  |
| TOLERANCES UNLESS OTHERWISE SPECIFIED: |                   | APVD: D. DIXON 02JAN2014   | NAME: IMPACT, 4 PAIR, 8 COLUMN, HEADER |
| 0 PLC ±0.25                            | 1 PLC ±0.13       | PRODUCT SPEC               | UNGUIDED, DUAL END WALL                |
| 2 PLC ±0.13                            | 3 PLC ±0.13       | APPLICATION SPEC           | SIGNAL MODULE, 0.39 PTH                |
| 4 PLC ±0.13                            | ANGLES ±0.13      | FINISH SEE TABLE           | SIZE: A1 CAGE CODE: 2057448            |
| MATERIAL: SEE TABLE                    | FINISH: SEE TABLE | WEIGHT: -                  | RESTRICTED TO: -                       |
| Customer Drawing                       |                   | SCALE: 6:1                 | SHEET 1 OF 2 REV: A1                   |

|                              |                          |                      |
|------------------------------|--------------------------|----------------------|
| THIS DRAWING IS UNPUBLISHED. | RELEASED FOR PUBLICATION | 20                   |
| © COPYRIGHT 20               | BY -                     | ALL RIGHTS RESERVED. |

| LOC | DIST | REVISIONS |     |             |      |     |      |
|-----|------|-----------|-----|-------------|------|-----|------|
|     |      | P         | LTN | DESCRIPTION | DATE | DWN | APVD |
| AD  | 00   | -         | -   | SEE SHEET 1 | -    | -   | -    |
|     |      |           |     |             |      |     |      |
|     |      |           |     |             |      |     |      |

|        |       |             |
|--------|-------|-------------|
|        | 5.5   | 2057448-3   |
|        | 4.9   | 2057448-2   |
|        | 4.5   | 2057448-1   |
| FINISH | DIM M | PART NUMBER |

REFER TO WWW.TE.COM  
FOR PRODUCT AVAILABILITY

|  |  |                                 |                                  |
|--|--|---------------------------------|----------------------------------|
| THIS DRAWING IS A CONTROLLED DOCUMENT. |  | DWN<br>KIRAN HOLAL<br>02JAN2014 |                                  |
|  |  | CHK<br>D. DIXON<br>02JAN2014    |                                  |
| DIMENSIONS:                            |  | APVD<br>D. DIXON<br>02JAN2014   | NAME                             |
| mm                                     | TOLERANCES UNLESS OTHERWISE SPECIFIED: | PRODUCT SPEC                    | IMPACT, 4 PAIR, 8 COLUMN, HEADER |
|  | 0 PLC ±                                | APPLICATION SPEC                | UNGUIDED, DUAL END WALL          |
|  | 1 PLC ±0.25                            |                                 | SIGNAL MODULE, 0.39 PTH          |
|  | 2 PLC ±0.13                            |                                 | RESTRICTED TO                    |
|  | 3 PLC ±                                |                                 | SIZE CAGE CODE DRAWING NO        |
|  | 4 PLC ±                                |                                 | A100779C=2057448                 |
|  | ANGLES ±                               |                                 | WEIGHT                           |
|  | FINISH SEE TABLE                       |                                 | Customer Drawing                 |
| MATERIAL                               |  |                                 | SCALE 5:1 SHEET 2 OF 2 REV A1    |