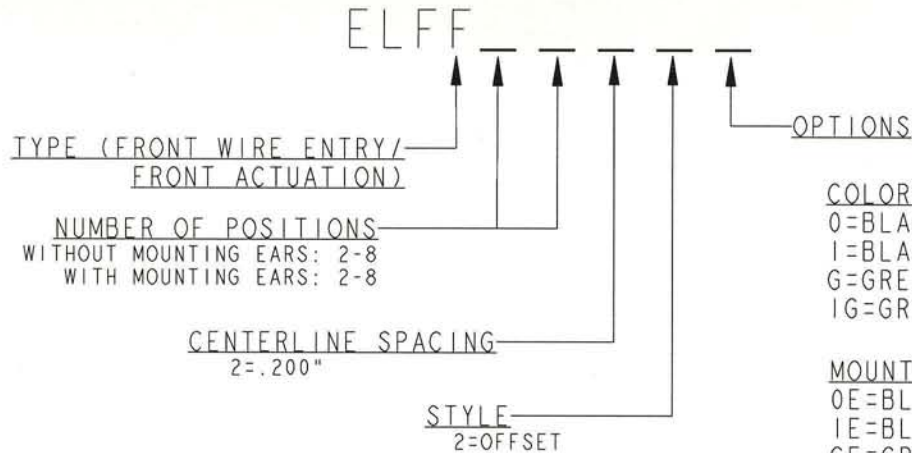


ELFF OFFSET SERIES PART NUMBERING SCHEME

REV	ECN	APP'D
-	4494	10/10/31/01
A	4686	10/1/2/02
B	5742	DW 12/28/05



COLOR/ PLATING
 0=BLACK, TIN (STANDARD)
 1=BLACK, SELECTIVE GOLD
 G=GREEN, TIN
 1G=GREEN, SEL. GOLD

MOUNTING EARS
 0E=BLACK, TIN
 1E=BLACK, SEL. GOLD
 GE=GREEN, TIN
 EG=GREEN, SEL. GOLD

CONSULT PCD FOR PART NO. AND
 AVAILABILITY OF FOLLOWING OPTIONS:
 *CUSTOM COLORS *CUSTOM KEYING
 *CUSTOM MARKING *SELECTIVE CONTACT LOADING
 *NUMBER OF POSITIONS 9-24

INSTALLATION RECOMMENDATIONS:

WIRE RANGE: AWG #14-26, STRANDED OR SOLID,
 AWG #12 STRANDED
 WIRE STRIP LENGTH: AWG #14-26: .310" (7,87mm)
 AWG #12: .490" (12,45mm)
 TIGHTENING TORQUE: 7 LB-IN.

MATERIALS:
 HOUSING: PPO, UL 94 V-0
 CONTACT: PHOSPHOR BRONZE, TIN FINISH
 SCREW: STEEL, NICKEL FINISH
 WIRE CLAMP: COPPER ALLOY, NICKEL FINISH
 MAX OPERATING TEMP: 105°C



RATINGS

CURRENT - 15A
 VOLTAGE - 300V

U.L. FILE NO. E83421



RATINGS

CURRENT - 15 A
 VOLTAGE - 300 V

CSA FILE NO. PENDING

DIN VDE 0627:1986
 DIN VDE 0110-1:1989
 EN 60947-1:1991
 EN 60947-7-1:1992

CURRENT - 15 A
 VOLTAGE - 300 V
 TUV FILE NO. PENDING

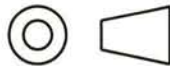
DIMENSIONS

ANSI Y14.5M
 UNITS: INCHES
 Pro/E FILE

TOLERANCES

.XX ±0.01
 .XXX ±0.005
 ANGLES ±2.0°

PROJECTION



Amphenol Pcd

ENGR

C. LASHUA 5/21/01

CHKD

A. PATRIE 10/30/01

APPD

I. QUINN 10/31/01

TITLE

ELF SERIES
 OFFSET FRONT/FRONT
 PLUGGABLE TERMINAL BLOCK

ORIGINAL
 STAMPED
 IN RED

*THIS DOCUMENT CONTAINS
 PROPRIETARY INFORMATION WHICH
 IS THE CONFIDENTIAL PROPERTY
 OF AMPHENOL PCD, INC.
 PEABODY, MA, USA*

SIZE

A

DWG NO.

ELFF02220

REV

B

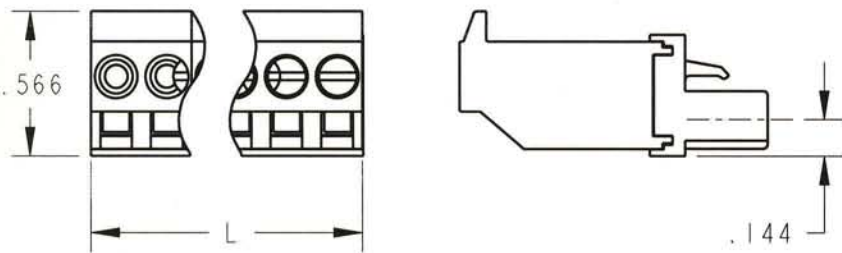
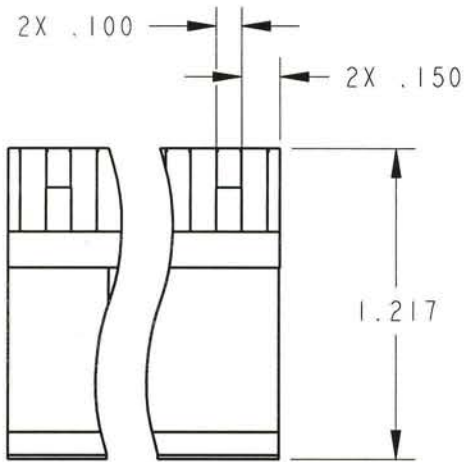
CODE: 58982

SCALE: NONE

SHEET 1 OF 2

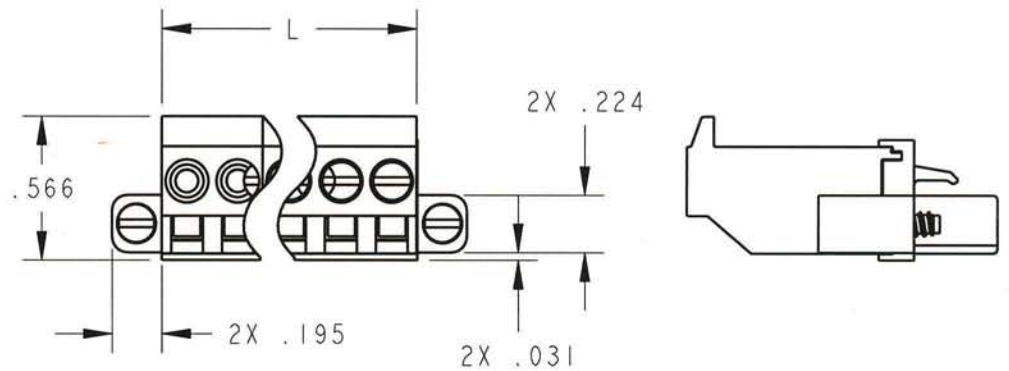
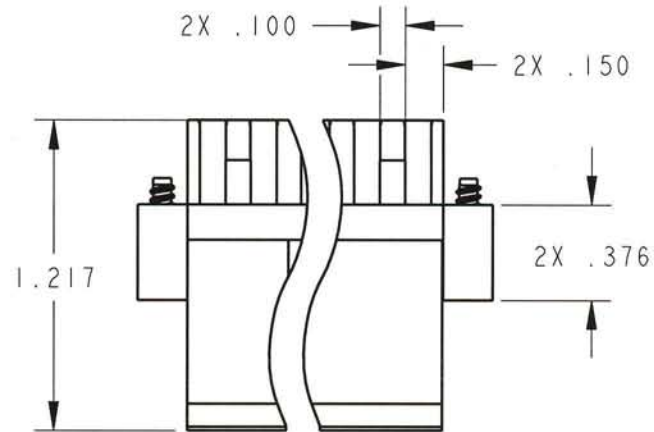
WITHOUT MOUNTING EARS

L=NUM OF POS X CL SPACING



WITH MOUNTING EARS

L=NUM OF POS X CL SPACING



SIZE	DWG NO.	REV
A	ELFF02220	B
CODE: 58982	SCALE: NONE	SHEET 2 OF 2