



- NOTES:
- 1 - HOUSING MATERIAL: GLASS FILLED POLYESTER, UL 94V-0. COLOR: BLACK
  - 2 - TERMINAL MATERIAL: PHOSPHOR BRONZE
  - 3 - SEE ADDITIONAL SHEETS FOR CHARTS, PLATINGS, AND OVERALL DIMENSIONS
  - 4 - THIS PRODUCT CONFORMS TO PS-70181.

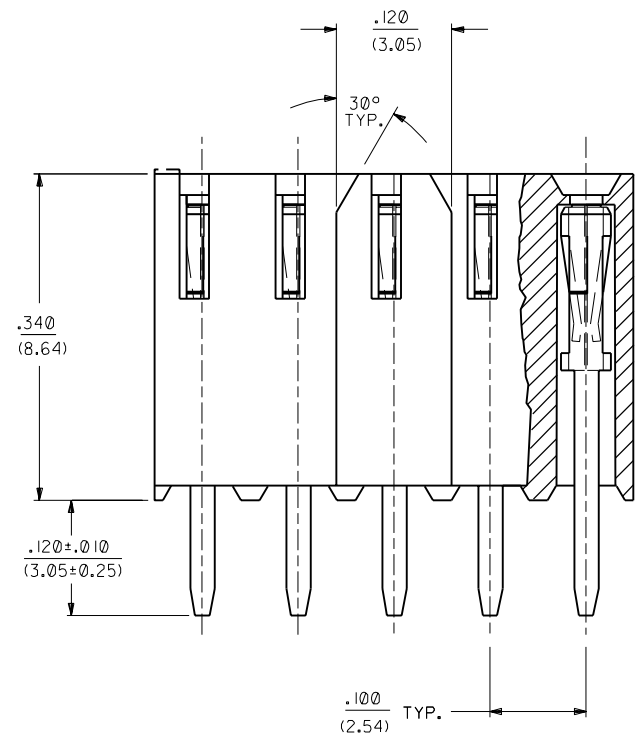
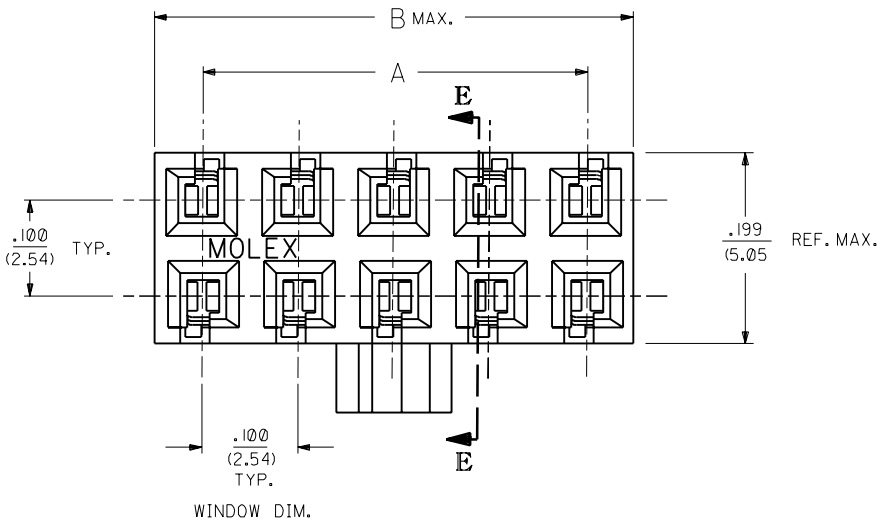


RECOMMENDED P.C. BOARD HOLE LAYOUT  
SCALE = 4:1

C	LEAD FREE UCP2004-1770 RWWHITE 04/04/28
B	CHANGE PACK SPEC ECN# UDT2000-0503 DMORGAN 99/12/09
A	REVISE PLATE & BOX PER U3 0572 09/10/93 MURPHY

MFG.	SH.	REV.	LTR.	REVISIONS
3	C			
2	A			
1	C			

DIMENSIONS SHOWN (METRIC) INCH		▽ = 0		▼ = 0		REVISE ONLY ON CAD SYSTEM	
UNLESS OTHERWISE SPECIFIED TOLERANCES: ANGULAR ± 1/2°							
		INCH		METRIC			
3 PLACE	± .010	---					
2 PLACE	± .014	± 0.25					
1 PLACE	---	± 0.35					
DRAFT WHERE APPLICABLE MUST REMAIN WITHIN DIMENSIONS							
DRWG. BY	PM	CHK'D. BY	PM	FILE NAME	THIS DRAWING CONTAINS INFORMATION THAT IS PROPRIETARY TO MOLEX INC. AND SHOULD NOT BE USED WITHOUT WRITTEN PERMISSION		
APP'D. BY	PM	SCALE	10:1	SA70192X1 DGN	SIZE	DA	C
SEE CHART				SDA-70192-*****			
MOLEX INCORPORATED				SHEET NO. U.S.A.		1 OF 3 09/10/93	
LITSE, ILL. 60532				DATE			



NOTES:  
1 - SEE SHEET I FOR APPLICABLE NOTES.

**SINGAPORE ONLY  
OPTION -F-  
WITH POLARIZING KEY**

A SEE SHEET I

DIMENSIONS SHOWN (METRIC) INCH		▽ = 0 ▼ = 0		REVISE ONLY ON CAD SYSTEM	
UNLESS OTHERWISE SPECIFIED TOLERANCES ANGULAR ± 1/2°		TITLE			
3 PLACE ±		CONNECTOR, VERT. MOUNT, DUAL ROW			
2 PLACE ±		(TOP ENTRY) .100 X .100			
1 PLACE ±		P.C. TAIL GRID			
DRAFT WHERE APPLICABLE MUST REMAIN WITHIN DIMENSIONS		MOLEX INCORPORATED		SHEET NO. DATE	
DRAWN BY: PM		L15LE.JLL. 69532		U.S.A. 2 07/17/90	
CHK'D BY: PM		PART NO. SDA-70192-000		DRWG. NO. SDA-70192-000	
SCALE :		SEE CHART		DIV. SIZE DA C	
APPROVED BY: PM		THIS DRAWING CONTAINS INFORMATION THAT IS PROPRIETARY TO MOLEX INC. AND SHOULD NOT BE USED WITHOUT WRITTEN PERMISSION.			

