

NOTES:

- MATERIALS AND FINISHES:**
 - INSULATOR: GLASS FILLED PLASTIC UL 94 V-0 RATED, GREY RAL 7035 $\text{\textcircled{D}}$
 - CONTACTS: COPPER ALLOY, PLATING: FLASH GOLD OVER NICKEL
- ELECTRICAL CHARACTERISTICS:**

CREEPING AND CLEARANCE DISTANCE; MINIMUM:

 - CONTACT 38 TO CONTACT 37: 2,5 MM
 - CONTACT 38 TO CONTACT 36: 3,2 MM
 - CONTACT 37 TO CONTACT 36: 3,2 MM
 - CONTACT 38 TO SIGNAL CONTACTS: 6,4 MM
 - CONTACT 37 TO SIGNAL CONTACTS: 6,4 MM
 - CONTACT 36 TO SIGNAL CONTACTS: 2,0 MM

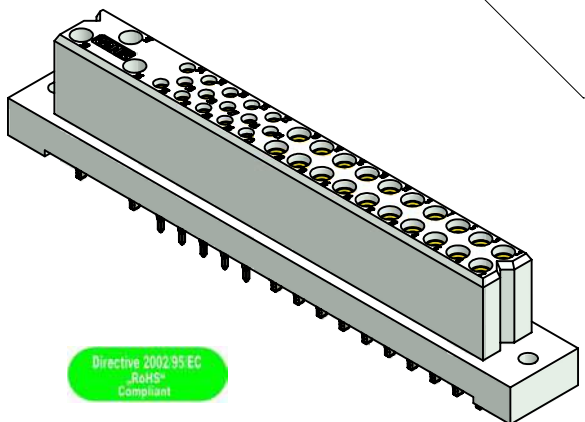
CONTACT CURRENT RATING:

 - POWER CONTACTS POS. 36-38: 40 AMPERES CONTINUOUS, ALL CONTACTS UNDER LOAD
 - POWER CONTACTS POS. 1-20: 28 AMPERES CONTINUOUS, ALL CONTACTS UNDER LOAD
 - SIGNAL CONTACTS: 5 AMPERES NOMINAL

INITIAL CONTACT RESISTANCE PER IEC 512-2, TEST 2b:

 - POWER CONTACTS: 0,0007 OHM MAX.
 - SIGNAL CONTACTS: 0,004 OHM MAX.

INSULATION RESISTANCE: 5 G OHM PER IEC 512-2, TEST 3a, METHOD A
- WORKING TEMPERATURE:** -55°C TO +125°C
- PRESS-FIT PART OF CONTACTS ARE PATENT PROTECTED**
- CONNECTOR IS PART MARKED:** [PART_NO.]_CONEC_[ABC]



15	Signal contact (Pos. 21-35)	5		
20	Power contact type 3 (Pos. 1-20)	4		
1	Power contact type 2 (Pos. 36)	3		
2	Power contact type 1 (Pos. 37-38)	2		
1	Case 38pos. female	1		
quantity	part description	partlist	item	dwg no. / norm
finish: see notes		tolerance ISO 2768-m	scale: 2:1	material: see notes
date		name	title: SOCKET CONNECTOR 38pos.	
drawn 10.02.05		Mankopf	PRESS-FIT STRAIGHT	
appd. 10.02.05		Kühle	CompactPCI	
norm			dwg no:	Inventor
2 x d	A 2867	14.11.07	HS	d-old
1 x c	A 2207	18.04.05	Mkf.	
1 x b	A 2168	21.02.05	Mkf.	
rev.	description	date	name	
CONEC		part no:		45K1A002
		part no:		CPH38W23FGE3SK9X
		sh:		1