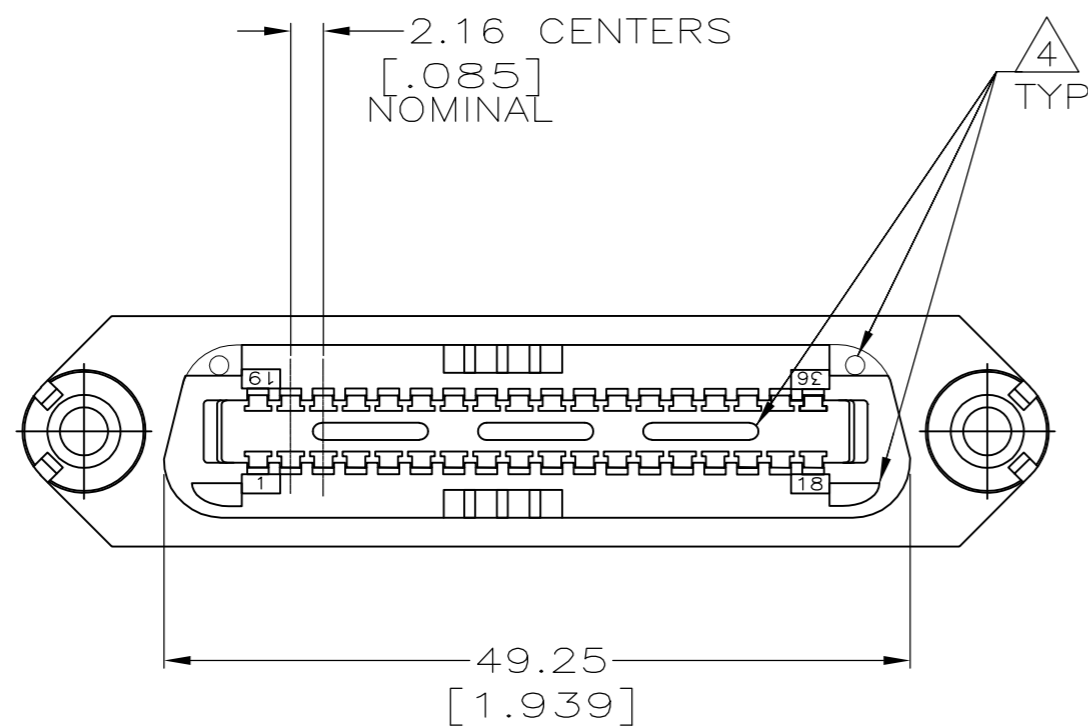
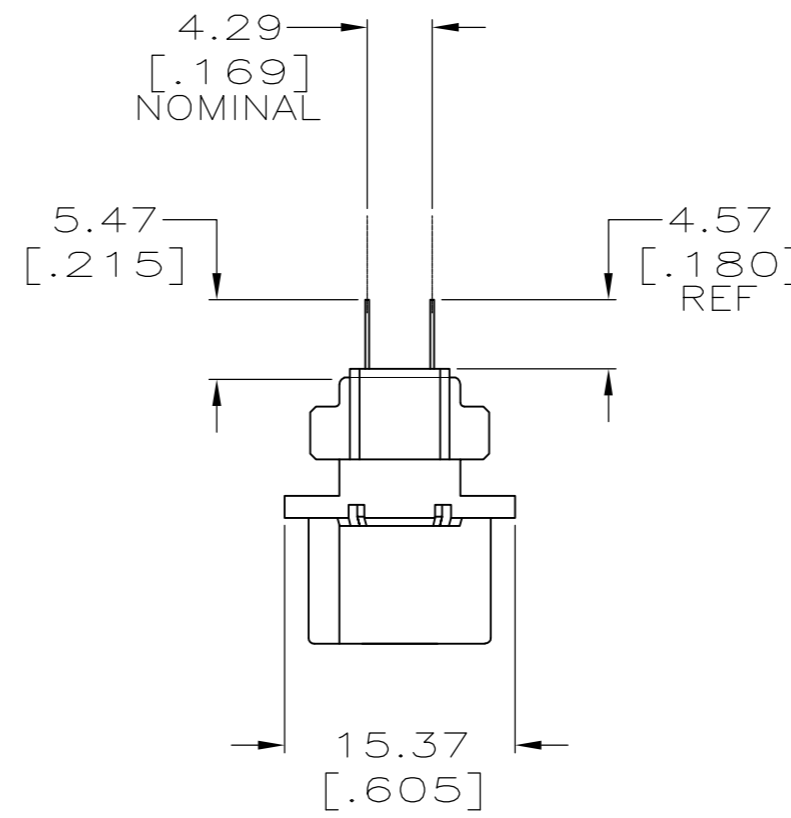
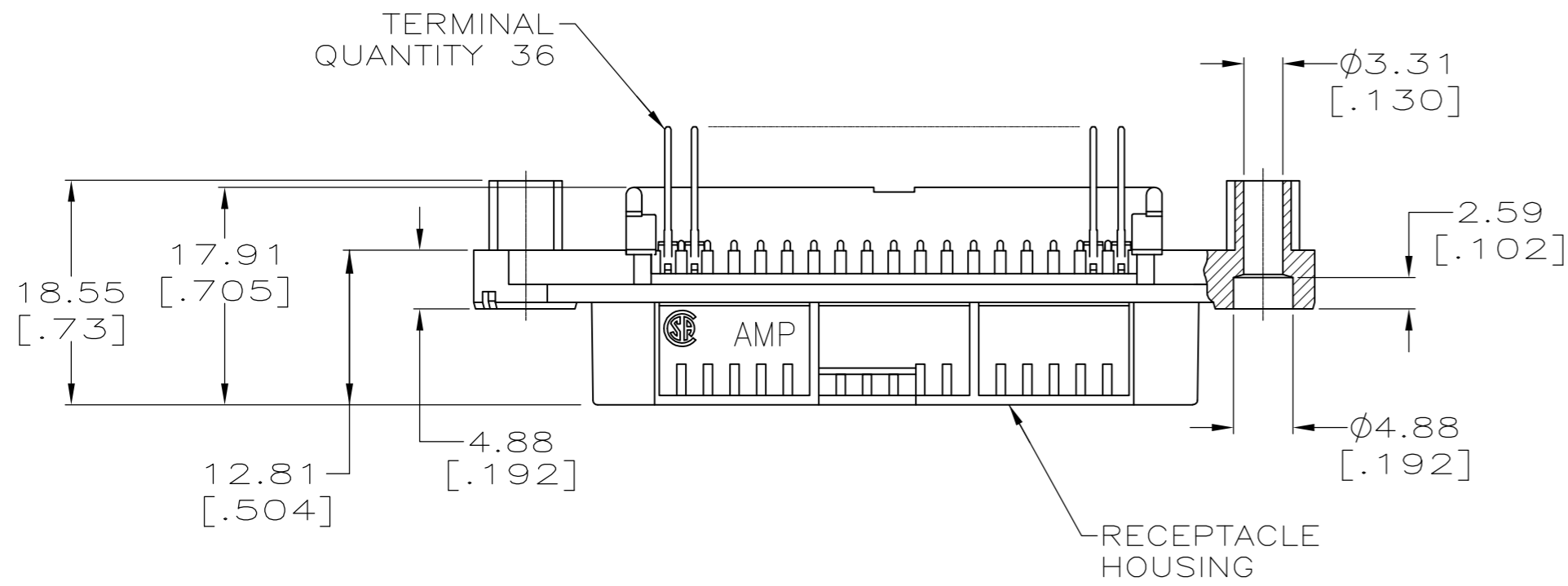
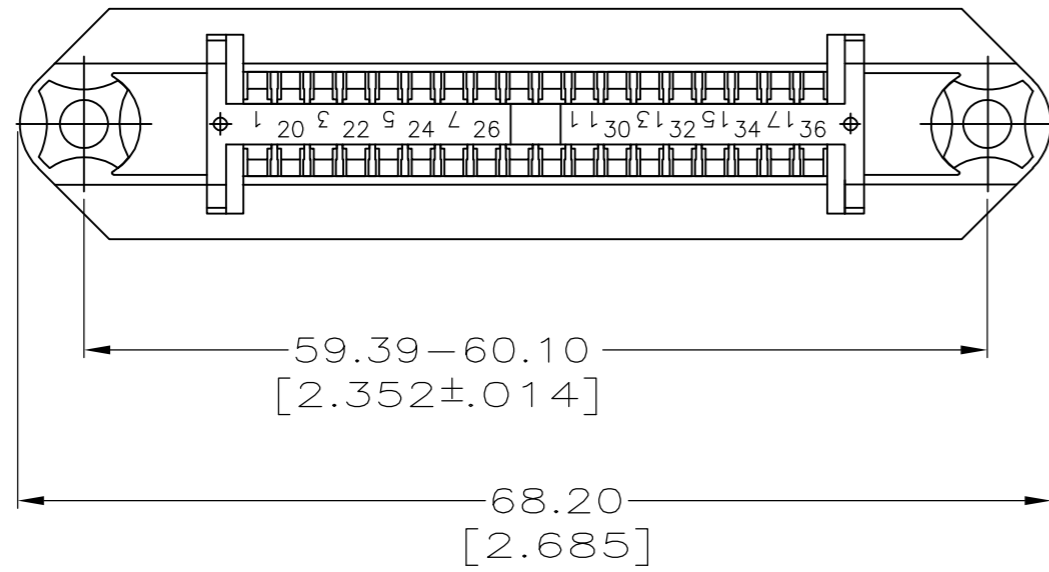


THIS DRAWING IS UNPUBLISHED. RELEASED FOR PUBLICATION  
 © COPYRIGHT BY TYCO ELECTRONICS CORPORATION. ALL RIGHTS RESERVED.

LOC	DIST	REVISIONS			
P	LTR	DESCRIPTION	DATE	DWN	APVD
GP	00	B	REVISED PER ECO-08-007327	22JUL08	BM WM

- 1. ALL DIMENSIONS SHOWN ARE MAXIMUM UNLESS OTHERWISE SPECIFIED.
- 2. THE CONTACT SURFACES OF THE TERMINALS ARE COATED WITH LUBRICANT.
- 3. MATERIAL: HOUSING - THERMOPLASTIC, BLACK. TERMINAL - PHOS BRONZE PLATED WITH EITHER 0.76µm [.000030] MINIMUM GOLD PLATE OR GOLD FLASH OVER PALLADIUM NICKEL, 0.76µm [.000030] MINIMUM TOTAL ON MATING SURFACE. 3.05µm [.000120] MINIMUM TIN ON TAILS OVER 1.27µm [.000050] MINIMUM NICKEL UNDERPLATE OVER ENTIRE TERMINAL.
- 4. THIS FEATURE IS A CORED AREA AND IS OPTIONAL ON PART.



5552235-1  
PART NUMBER

THIS DRAWING IS A CONTROLLED DOCUMENT.		DWN B. LATTUCA 11AUG05	Tyco Electronics Corporation Harrisburg, PA 17105-3608																					
DIMENSIONS: mm [INCHES]		CHK W. MILLHIMES 12AUG05	NAME M. WALMSLEY 12AUG05																					
TOLERANCES UNLESS OTHERWISE SPECIFIED:		APVD M. WALMSLEY 12AUG05	PRODUCT SPEC																					
<table border="0"> <tr><td>0 PLC</td><td>± -</td><td>1</td></tr> <tr><td>1 PLC</td><td>± -</td><td>1</td></tr> <tr><td>2 PLC</td><td>± -</td><td>1</td></tr> <tr><td>3 PLC</td><td>± -</td><td>1</td></tr> <tr><td>4 PLC</td><td>± -</td><td>1</td></tr> <tr><td>ANGLES</td><td>± -</td><td></td></tr> <tr><td>FINISH</td><td>± -</td><td></td></tr> </table>		0 PLC	± -	1	1 PLC	± -	1	2 PLC	± -	1	3 PLC	± -	1	4 PLC	± -	1	ANGLES	± -		FINISH	± -		APPLICATION SPEC	
0 PLC	± -	1																						
1 PLC	± -	1																						
2 PLC	± -	1																						
3 PLC	± -	1																						
4 PLC	± -	1																						
ANGLES	± -																							
FINISH	± -																							
MATERIAL		WEIGHT	SIZE A2	CAGE CODE 00779																				
FINISH		DRAWING NO C=5552235		RESTRICTED TO																				
CUSTOMER DRAWING		SCALE 2:1	SHEET 1 OF 1	REV B																				