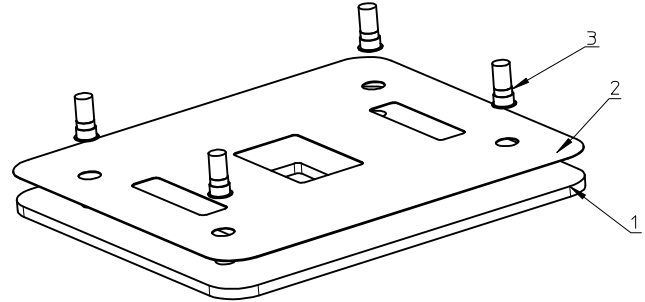
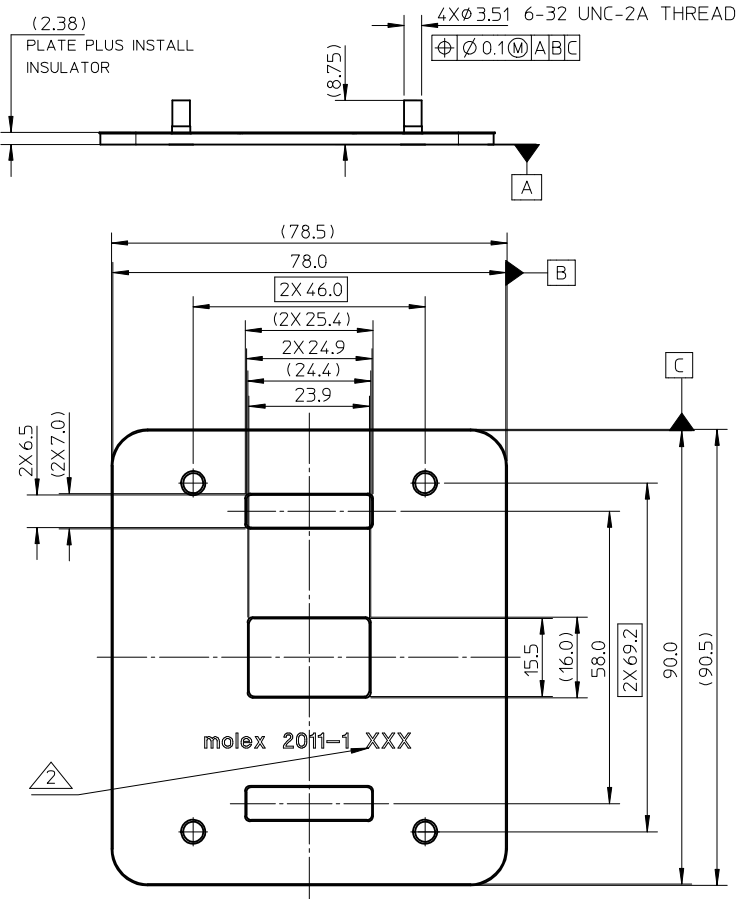


NOTES:  
 1. MATE WITH LGA2011-1 SOCKET ILM,DETAIL REFER TO SD-105197-001;  
 2. DATE CODE  
 3. THE PARTS 10519\*\*\*\*\* COMPLIANT TO RoHS DIRECTIVE 2002/95/EC AND ELV 2000/53/EC

TOP		COMPONENTS				
		ITEM NO	Q'TY	PART NO	DESCRIPTION	MATERIAL
BACK PLATE ASSEMBLY		1	1	105198-2001	BACK PLATE	STEEL WITH NICKEL PLATING
PART NO: 105197-2000		2	1	105198-2002	INSULATOR	FORMEX GK-5BK 0.178MM
		3	1	105198-2003	STUD.MALE. 6-32.STEEL.PRESS FIT	LOW CARBON STEEL WITH NICKEL PLATING

PROPOSED EC NO: SHZ015-0083 DRWN:YXZHENG CHKD:AYIN APPR:AYIN 2012/07/25 2012/07/25 2014/09/02	QUALITY SYMBOLS	GENERAL TOLERANCES (UNLESS SPECIFIED)	DIMENSION STYLE	SCALE	DESIGN UNITS	THIRD ANGLE PROJECTION	
	$F_A=0$	mm INCH	MM ONLY	1:1	METRIC		
	$F_G=0$	4 PLACES ± --- ± ---	DRAWN BY YXZHENG	DATE 2012/07/25	TITLE		BACK PLATE ASSEMBLY DRAWING FOR SOCKET R1
	$F_P=0$	3 PLACES ± --- ± ---	CHECKED BY AYIN	DATE 2012/07/25	MATERIAL NO. 105197-2000		
		2 PLACES ± 0.2 ± ---	APPROVED BY AYIN	DATE 2014/09/02	DOCUMENT NO. SD-105197-002		SHEET NO. 1 OF 1
	1 PLACE ± 0.3 ± ---	DRAFT WHERE APPLICABLE MUST REMAIN WITHIN DIMENSIONS		THIS DRAWING CONTAINS INFORMATION THAT IS PROPRIETARY TO MOLEX INCORPORATED AND SHOULD NOT BE USED WITHOUT WRITTEN PERMISSION			
	0 PLACE ± --- ± ---	ANGULAR ± 3 °		SIZE A3			



NOTES:  
 1. MATE WITH LGA2011-1 SOCKET ILM,DETAIL REFER TO SD-105197-001;  
 2. DATE CODE  
 3. THE PARTS 10519\*\*\*\*\* COMPLIANT TO RoHS DIRECTIVE 2002/95/EC AND ELV 2000/53/EC

TOP		COMPONENTS				
		ITEM NO	Q'TY	PART NO	DESCRIPTION	MATERIAL
BACK PLATE ASSEMBLY		1	1	105198-2001	BACK PLATE	STEEL WITH NICKEL PLATING
PART NO:		2	1	105198-2002	INSULATOR	FORMEX GK-5BK 0.178MM
105197-2000		3	1	105198-2003	STUD.MALE. 6-32.STEEL.PRESS FIT	LOW CARBON STEEL WITH NICKEL PLATING

PROPOSED EC NO: SHZ015-0083 DRWN:YXZHENG CHKD:AYIN APPR:AYIN 2012/07/25 2012/07/25 2014/09/02	QUALITY SYMBOLS	GENERAL TOLERANCES (UNLESS SPECIFIED)	DIMENSION STYLE	SCALE	DESIGN UNITS	THIRD ANGLE PROJECTION	
	$F_A=0$ $F_G=0$ $F_P=0$	mm    INCH 4 PLACES ± --- ± --- 3 PLACES ± --- ± --- 2 PLACES ± 0.2 ± --- 1 PLACE ± 0.3 ± --- 0 PLACE ± --- ± ---	MM ONLY	1:1	METRIC	DRAWN BY: YXZHENG DATE: 2012/07/25 CHECKED BY: AYIN DATE: 2012/07/25 APPROVED BY: AYIN DATE: 2014/09/02	TITLE
		ANGULAR ± 3 °					BACK PLATE ASSEMBLY DRAWING FOR SOCKET R1
		DRAFT WHERE APPLICABLE MUST REMAIN WITHIN DIMENSIONS					MATERIAL NO. 105197-2000 DOCUMENT NO. SD-105197-002 SHEET NO. 1 OF 1

