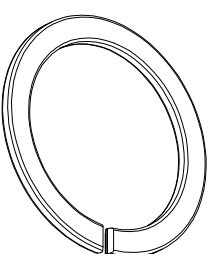
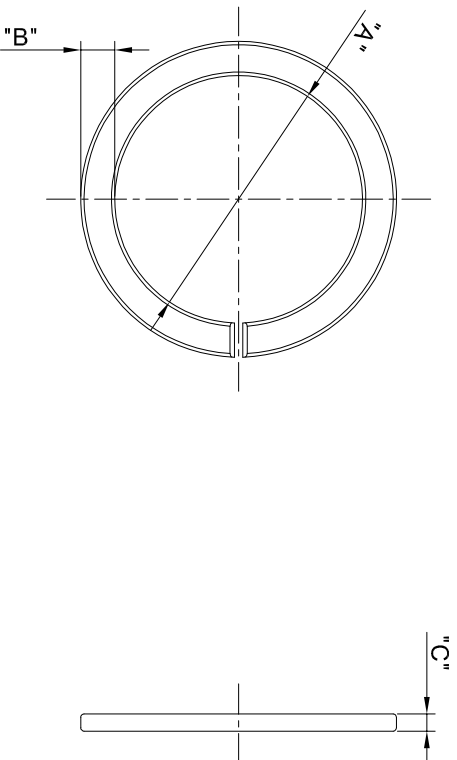


| REVISIONS | | | | |
|-----------|-----|--------------------|-------------|-------------|
| REV | ECO | DESCRIPTION | DATE | BY APPR |
| A1 | | FIRST RELEASED | Apr.05.2016 | Drack Tommy |
| A2 | | UPDATE THE NOTES | Jul.20.2016 | Drack Tommy |
| A3 | | ADD 16# & 18# PART | Nov.22.2017 | Nick Tommy |



| SHELL | P/N | DIM A | DIM B | DIM C |
|-------|-----------|-------|-------|-------|
| 8# | RTS8CCRX | Ø11.2 | 2.0 | 1.0 |
| 10# | RTS10CCRX | Ø14.5 | 2.0 | 1.0 |
| 12# | RTS12CCRX | Ø18.5 | 1.9 | 1.2 |
| 14# | RTS14CCRX | Ø21.7 | 1.9 | 1.8 |
| 16# | RTS16CCRX | Ø24.2 | 1.9 | 1.0 |
| 18# | RTS18CCRX | Ø27.6 | 1.9 | 1.0 |

"X" DENOTE COLOR:
 WHEN "X"="G", GREEN, PANTONE 348C.
 WHEN "X"="R", RED, PANTONE 194C.
 WHEN "X"="Y", YELLOW, PANTONE 123C.

NOTES : (UNLESS OTHERWISE SPECIFIED)
 1. MATERIAL : THERMOPLASTIC , UI94 V-0.

2. SPECIFICATIONS :
 2.1. OPERATING TEMPERATURE : -40°C ~ 125°C.
 2.2. ROHS COMPLIANT.

3. ALL DIMENSIONS ARE FOR REFERENCE USE ONLY.

| QUANTITY | PART NUMBER | DESCRIPTION | ITEM |
|-----------------------|-------------|-------------|------|
| MATERIALS LIST | | | |

| | | | |
|--|--|------------------------|--|
| UNLESS OTHERWISE SPECIFIED 1) All dimensions are in millimeters. 2) Tolerances are as follows: 1 Pt. DEC 40.30 Fractions .1"=14 3 Pt. DEC 40.08 Angles .1° | SIGNATURES | DATE | <p style="text-align: center;">Amphenol</p> <p>Sine Systems - www.amphenol-sine.com 44724 Morley Drive Clinton Township, MI 48036</p> |
| 3) Note reference = | DRAWN: Nick | Nov.22.2017 | |
| | CHECKED: Tod | Nov.22.2017 | |
| MATERIAL SPECIFICATIONS: | ENGINEER: Tommy | APPROVAL: Tommy | Nov.22.2017 |
| PROCESS SPECIFICATIONS: | CUSTOMER: | ECO-MATE IDENTIFY RING | |
| NEXT ASST: | THIS DRAWING IS SUPPLEMENTARY TO THE AMPHENOL IDENTIFY RING DRAWING. SPECIFICATIONS AND PERFORMANCE DATA ARE THE PROPERTY OF AMPHENOL CORPORATION. NO PARTS OF THIS DRAWING ARE TO BE REPRODUCED OR TRANSMITTED IN ANY FORM OR BY ANY MEANS, ELECTRONIC OR MECHANICAL, INCLUDING PHOTOCOPYING, RECORDING, OR BY ANY INFORMATION STORAGE AND RETRIEVAL SYSTEM. ALL MANUFACTURING VARIATIONS ARE NORMAL. | | SIZE: 08, 10, 12, 14, 16, 18 |

| | | | |
|-------------|------------|-------------------|--------------|
| SCALE: NONE | SIZE: NONE | DWG NO: RTSXCXCRX | REVISION: A3 |
| SHEET: 1 | OF: 1 | | |