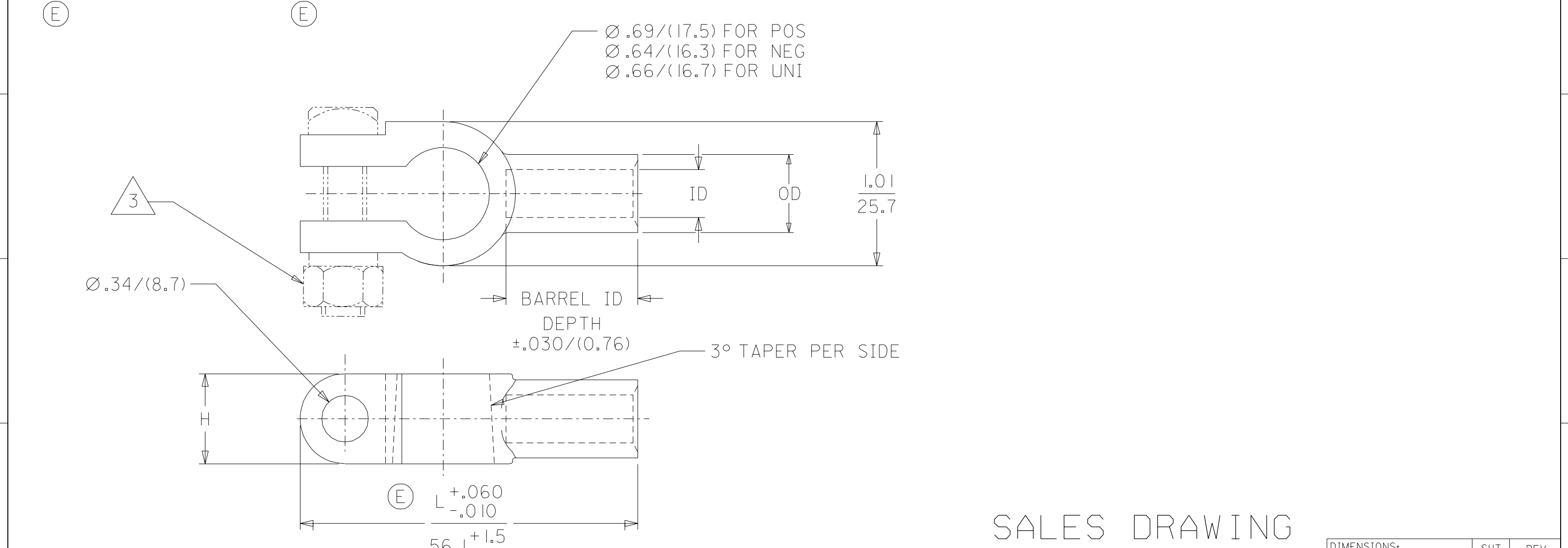


| 10 | 9 | 8 | 7 | 6 | 5 | 4 | 3 | 2 | 1 | | | |
|--------------------------|-----------------------------|--------------------------|-----------------------------|---------------------------|------------------------------|------------|-------------|------------|------------|-----------------|------------|-------------|
| MATERIAL NUMBER NEGATIVE | ENGINEERING NUMBER NEGATIVE | MATERIAL NUMBER POSITIVE | ENGINEERING NUMBER POSITIVE | MATERIAL NUMBER UNIVERSAL | ENGINEERING NUMBER UNIVERSAL | WIRE GAUGE | COLOR CRIMP | BARREL ID | BARREL OD | BARREL ID DEPTH | H | L |
| --- | --- | --- | --- | 192180108 | SBT6U | 6 | GRY | .22/(5.6) | .45/(11.4) | .97/(24.6) | .53/(13.5) | 2.38/(60.5) |
| 192180102 | SBT4N | 192180104 | SBT4P | 192180106 | SBT4U | 4 | GRY | .26/(6.6) | .45/(11.4) | .97/(24.6) | .53/(13.5) | 2.38/(60.5) |
| 192180096 | SBT1N | 192180098 | SBT1P | 192180100 | 19218-0100 | 2 | GRN | .34/(8.6) | .55/(14.0) | .94/(23.9) | .65/(16.5) | 2.37/(60.2) |
| 192180231 | 3001-055N | 192180232 | 3001-055P | 192180233 | SBT40NMI | 1 | PINK | .39/(9.9) | .55/(14.0) | .94/(23.9) | .65/(16.5) | 2.37/(60.2) |
| 192180110 | SBT10N | 192180112 | SBT10P | --- | --- | 1/0 | BLK | .47/(11.9) | .65/(16.5) | .94/(23.9) | .65/(16.5) | 2.40/(61.0) |
| 192180114 | SBT20N | 192180116 | SBT20P | --- | --- | 2/0 | ORG | .50/(12.8) | .65/(16.5) | .94/(23.9) | .65/(16.5) | 2.40/(61.0) |
| 192180118 | SBT30N | 192180120 | SBT30P | --- | --- | 3/0 | PUR | .53/(13.5) | .65/(16.5) | .94/(23.9) | .65/(16.5) | 2.40/(61.0) |
| 192180122 | SBT40N | 192180124 | SBT40P | --- | --- | 4/0 | YEL | .62/(17.7) | .83/(21.1) | .94/(23.9) | .71/(18.0) | 2.38/(60.5) |



SALES DRAWING

- NOTES:
1. MATERIAL: I31 COPPER.
 2. FINISH: TIN PLATED.
 3. INCLUDES 5/16 BOLT & SHOULDER NUT.

| DIM | CHG/VENDOR | EC NO. | ETC | DRWN: | CH'K: | APPR: | REV |
|-----|------------|----------|------|-------|-------|-------|-----|
| | | 03/01/03 | 0166 | BRE | HEB | RWD | E |
| | | 03/01/03 | | | | | |
| | | 03/01/03 | | | | | |

| QUALITY SYMBOLS | GENERAL TOLERANCES: (UNLESS SPECIFIED) |
|-----------------------|--|
| MAJOR $\nabla=0$ | mm INCH |
| CRITICAL $\nabla c=0$ | 4 PLACES $\pm 0.$ $\pm.$ |
| | 3 PLACES $\pm 0.$ $\pm.$ |
| | 2 PLACES $\pm 0.$ ± 0.10 |
| | 1 PLACE ± 0.25 $\pm.$ |
| | ANGULAR: $\pm 1/2^\circ$ |
| | DRAFT WHERE APPLICABLE MUST REMAIN WITHIN DIMENSIONS |

| SCALE | DESIGN UNITS | THIRD ANGLE PROJECTION |
|--------------------|--|---|
| NO:NE | <input type="checkbox"/> mm <input checked="" type="checkbox"/> INCH | <input type="checkbox"/> THIRD ANGLE <input checked="" type="checkbox"/> PROJECTION |
| DRAWN BY & DATE | DAY 98/12/14 | |
| CHECKED BY & DATE | RWD 98/12/14 | |
| APPROVED BY & DATE | RWD 98/12/14 | |
| CAD FILENAME | SD-19218-001.DGN | |

| TITLE | MATERIAL NO. | DRAWING NO. | SHEET NO. |
|--|--------------|--------------|-----------|
| STANDARD BATTERY TERMINAL TOP POST | SEE CHART | SD-19218-001 | 1 OF 1 |
| MOLEX INCORPORATED | | | |
| THIS DRAWING CONTAINS INFORMATION THAT IS PROPRIETARY TO MOLEX INCORPORATED AND SHOULD NOT BE USED WITHOUT WRITTEN PERMISSION. | | | |