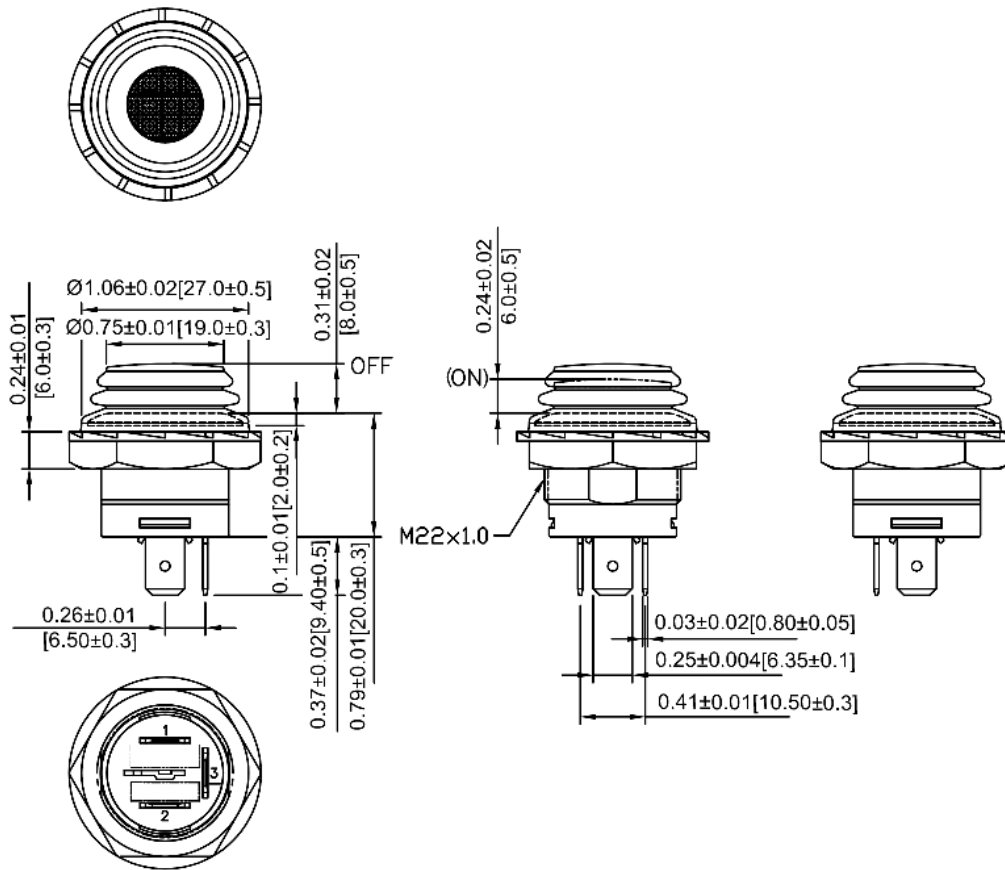
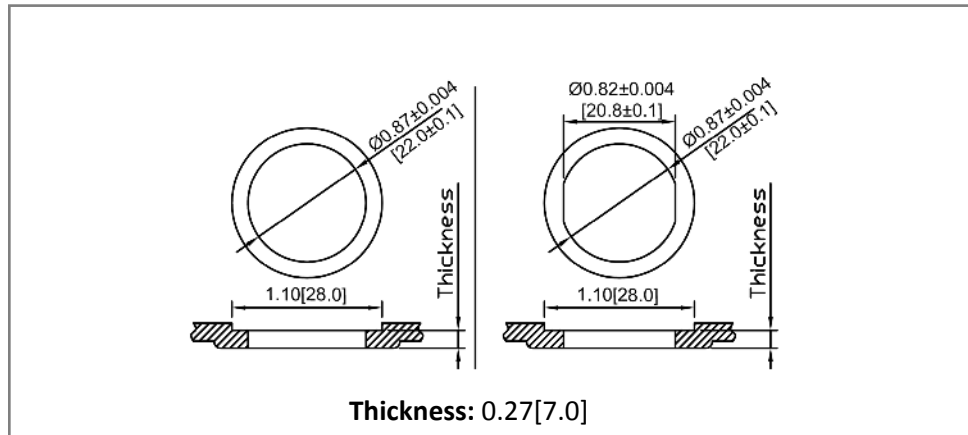


Mechanical Dimensions: Inches [mm]

Tolerances ± 0.012 [0.3] Unless Otherwise Specified

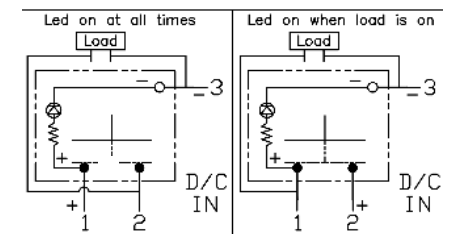


Mounting Hole



Circuit Diagram

3P SPST OFF-(ON) (LED-D)



Electrical Specifications

Rating	10A 14V DC
Contact Resistance	50m ohm Max.
Insulation Resistance	DC 500V 100M ohm Min
Dielectric Strength	AC 1500V 1 minute
Operation Temperature	-25°C ~ 85°C

Material Specifications

Frame	Black, Nylon 66 (94-V2)
Actuator	Red, PC Clear (94-V2)
Terminals	Copper Alloy
Waterproof Rubber	Black, Silicone (IP65)
LED	Red (Dependent)

Rev Date of issue Revision Notes

Designed Approved

A	05-18-2021	Initial Drawing	RC	OF
---	------------	-----------------	----	----