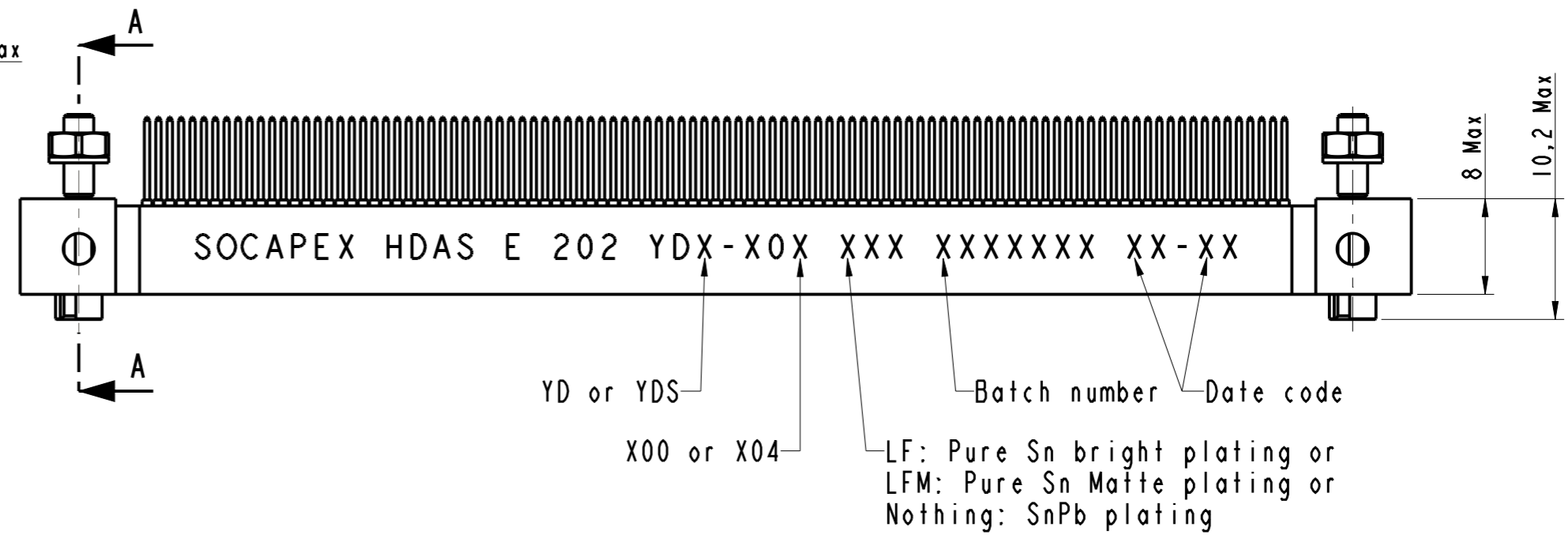
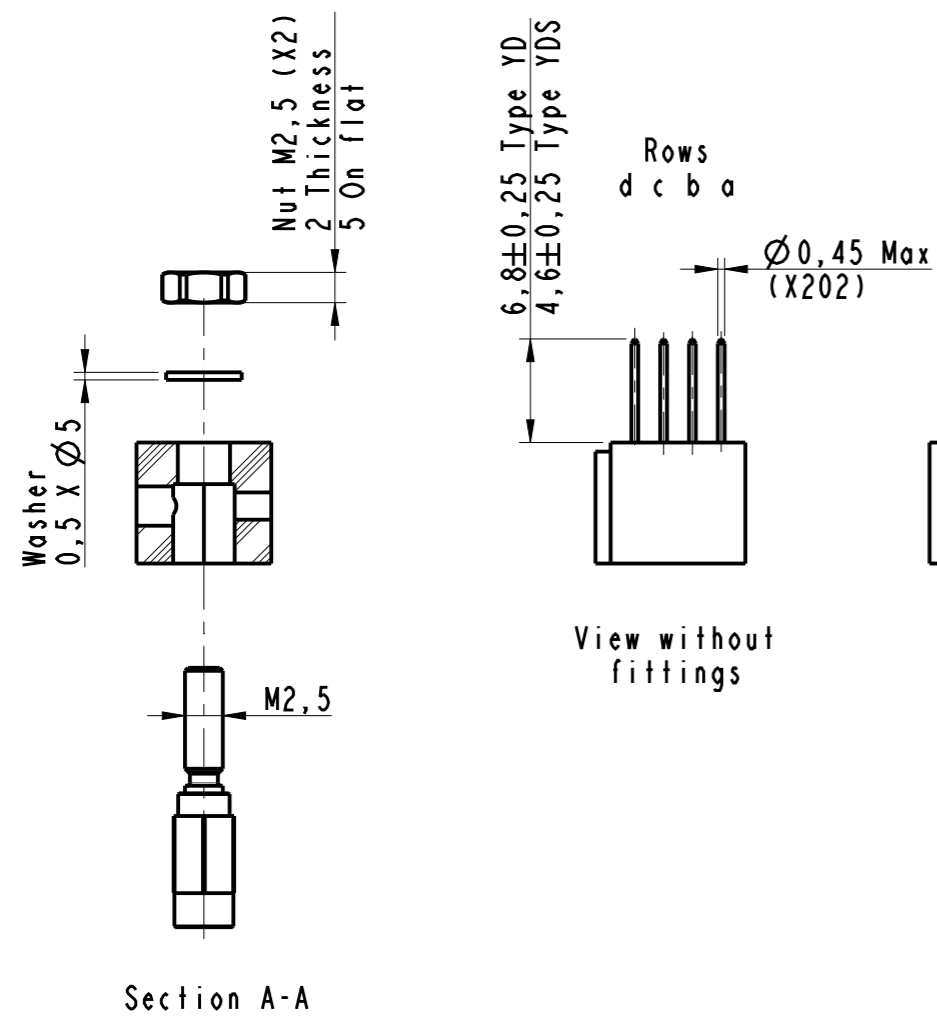
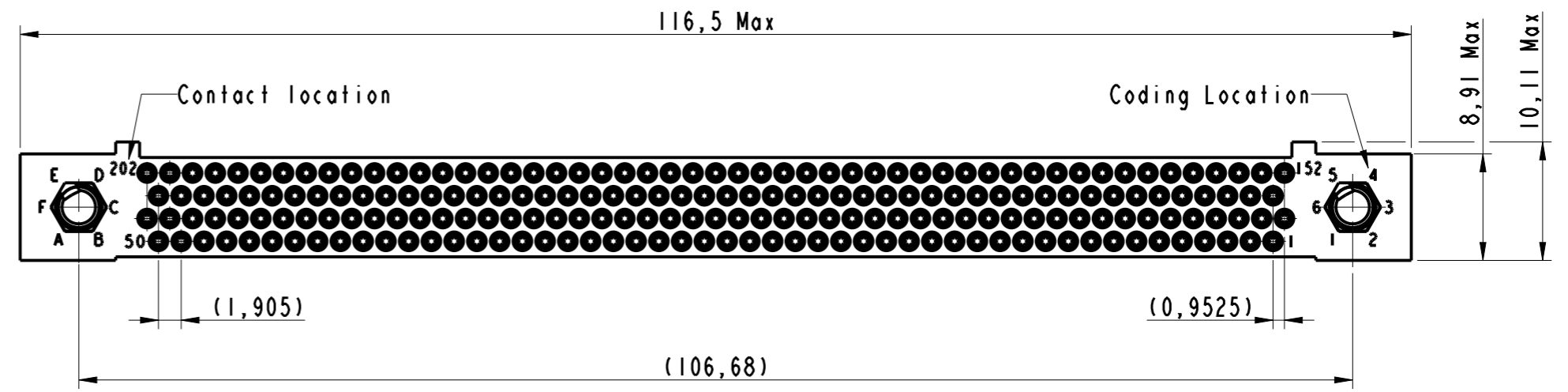
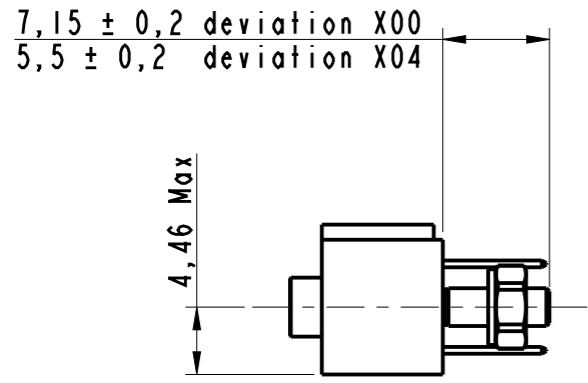


IN THE CONSTANT PURPOSE OF IMPROVING ITS PRODUCTS, Amphenol Socapex RESERVES THE RIGHT TO MODIFY ANY DIMENSION OR CHARACTERISTICS.
FM.NPD.0036.THYEZ.PUNE rev C

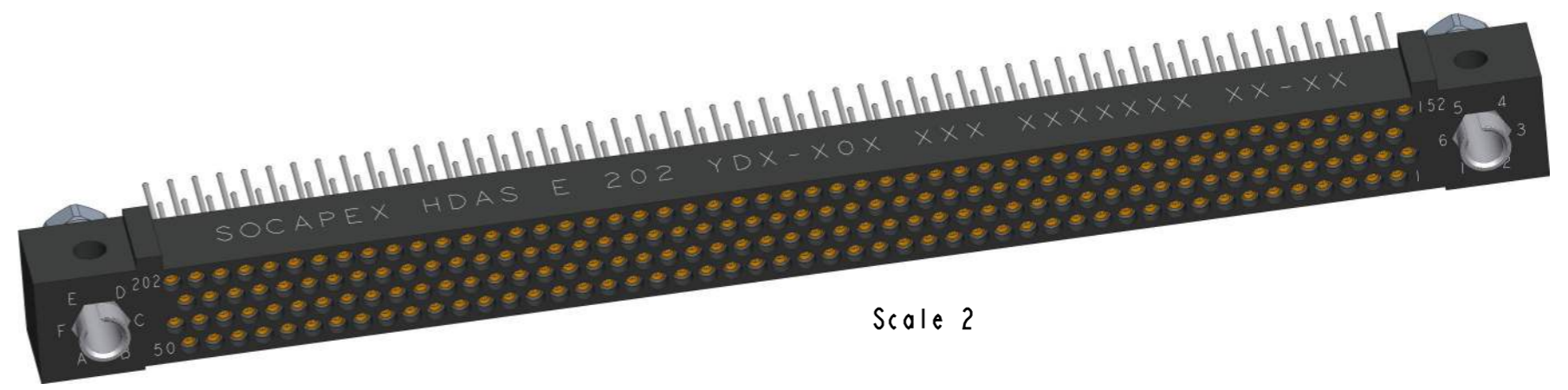
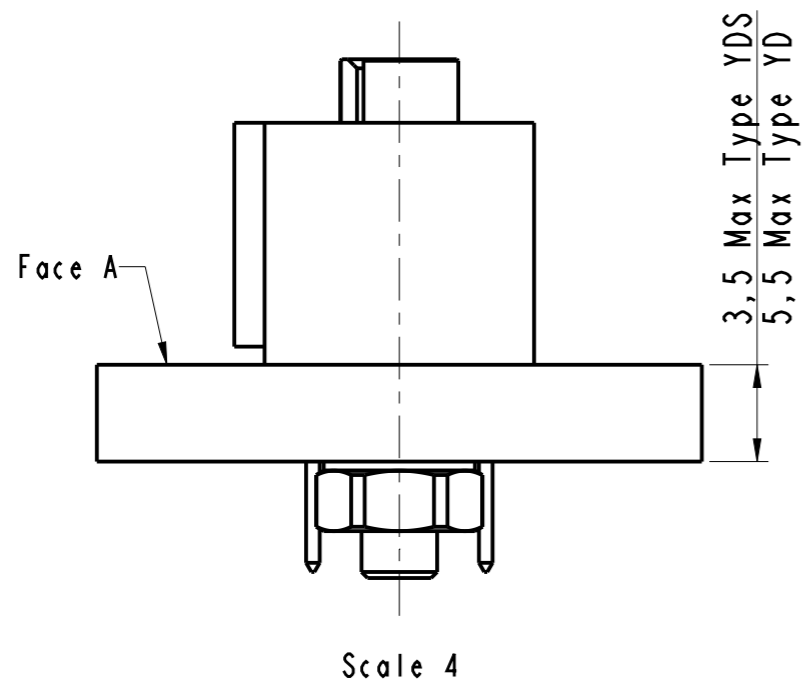
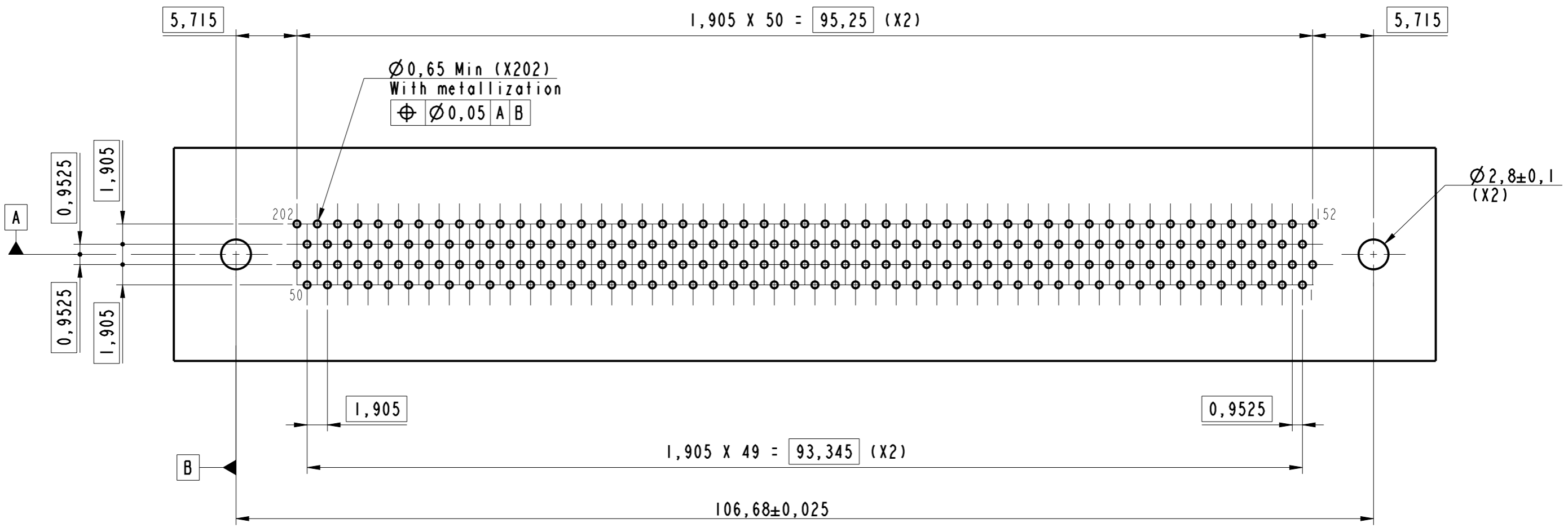


- Notes:
- Part: HDAS E 202 YDX-X0X XXX
 - External dimensions of the receptacle insulator with 202 signal contacts type YDX
 - Connector delivered with fittings not assembled, coupling torque : 0,25 Nm
 - Standard 00X : Nickel plated over brass fittings.
Deviation 10X : Passivated stainless steel fitting

HDAS E 202 YDX-X0X XXX

| | | | | | |
|--------------------------|------------------|---------------------------|--|------------------------------------|---|
| DRAWN BY : Gimenes | | UPDATED BY : S Satpute | | LAST APPROVED BY : T Carrier | |
| ALL DIMENSIONS ARE IN MM | AMPHENOL SOCAPEX | | | ORIGINAL DRAWING DATE : 27/04/2006 | CONFIGURATION DATA ARE AVAILABLE IN PDM |
| | SCALE : 2 | B.P. 29 74311 THYEZ CEDEX | | REV : F | PAGE : 1/2 |
| | | | | 169-PLC-492-00 | |

PCB layout
Face A



HDAS E 202 YDX-X0X XXX

| | | | | | |
|--------------------------|--|---------------------------|--|------------------------------------|---|
| DRAWN BY : Gimenes | | UPDATED BY : S Satpute | | LAST APPROVED BY : T Carrier | |
| ALL DIMENSIONS ARE IN MM | | AMPHENOL SOCAPEX | | ORIGINAL DRAWING DATE : 27/04/2006 | CONFIGURATION DATA ARE AVAILABLE IN PDM |
| SCALE : 2,5 | | | | REV : F | PAGE : 2/2 |
| | | B.P. 29 74311 THYEZ CEDEX | | 169-PLC-492-00 | |
| | | | | | |

IN THE CONSTANT PURPOSE OF IMPROVING ITS PRODUCTS, Amphenol Socapex reserves the right to modify any dimension or characteristics. FM.NPD.0036.THYEZ.PUNE rev C