

SACB-C-H180-8/16-30,0PUR SCO P - Connector hood



1097665

<https://www.phoenixcontact.com/us/products/1097665>

Please be informed that the data shown in this PDF document is generated from our online catalog. Please find the complete data in the user documentation. Our general terms of use for downloads are valid.



Connector hood, application: Sensor/actuator box, connection method: M12-SPEEDCON-socket Plastic, number of slots: 8, slot assignment: Double, status display: No; master cable connection: Pluggable screw connection 180°, PUR/PVC, cable length: 30 m, shielding: no

Commercial data

Item number	1097665
Packing unit	1 pc
Minimum order quantity	1 pc
Sales key	BF41
Product key	BF3CBG
GTIN	4055626939919
Weight per piece (including packing)	6,057 g
Weight per piece (excluding packing)	6,057 g
Customs tariff number	85444290
Country of origin	DE

SACB-C-H180-8/16-30,0PUR SCO P - Connector hood



1097665

<https://www.phoenixcontact.com/us/products/1097665>

Technical data

Notes

General	NOTE: Observe the permissible bending radii when laying conductors, since the degree of protection may be put in jeopardy if the bending forces are too high. Alleviate mechanical loads upstream of the connector, e.g. by using cable ties.
---------	--

Product properties

Product type	Connector hood with master cable
Application	Sensor/actuator box
Number of slots	8

Electrical properties

Nominal voltage U_N	120 V AC
	120 V DC
Rated current, total	10 A
Max. current carrying capacity per path	2 A
Current carrying capacity per slot	4 A

Connection data

Conductor connection

Connection method	Pluggable screw connection
Tightening torque, cover screw	1 Nm

Pin assignment

Slot/position = Wire color or connection	1 / 4 (A) = WH
	1 / 2 (B) = GYPK
	2 / 4 (A) = GN
	2 / 2 (B) = RDBU
	3 / 4 (A) = YE
	3 / 2 (B) = WHGN
	4 / 4 (A) = GY
	4 / 2 (B) = BNGN
	5 / 4 (A) = PK
	5 / 2 (B) = WHYE
	6 / 4 (A) = RD
	6 / 2 (B) = YEBN
	7 / 4 (A) = BK
	7 / 2 (B) = WHGY
	8 / 4 (A) = VT
	8 / 2 (B) = GYBN
1-8 / 1 (+ 120 V) = BN	
1-8 / 3 (0 V) = BU	

SACB-C-H180-8/16-30,0PUR SCO P - Connector hood



1097665

<https://www.phoenixcontact.com/us/products/1097665>

	1-8 / 5 (PE) = GNYE
--	---------------------

Signaling

Status display present	No
------------------------	----

Dimensions

Dimensional drawing	
Width	54 mm
Height	25 mm
Length	34 mm

Material specifications

Material	PBT
Seal material	NBR
Material of contact, master cable side	CU alloy
Material of the contact carrier on the master cable side	PA
Material of contact surface, master cable side	Sn

Cable/line

Cable length	30 m
--------------	------

PUR/PVC black [PUR]

Dimensional drawing	
Cable weight	183.7 kg/km
UL AWM Style	20549 (80°C/300 V)
Number of positions	19
Shielded	no
Cable type	PUR/PVC black [PUR]
Conductor structure signal line	28x 0.15 mm
AWG signal line	20

SACB-C-H180-8/16-30,0PUR SCO P - Connector hood



1097665

<https://www.phoenixcontact.com/us/products/1097665>

Conductor cross section	16x 0.5 mm ² (Signal line)
	3x 1 mm ² (power line)
Wire diameter incl. insulation	1.5 mm ±0.1 mm (Signal line)
	2.1 mm ±0.1 mm (power line)
External cable diameter	10.5 mm ±0.2 mm
Outer sheath, material	PUR
External sheath, color	black RAL 9005
Conductor material	Bare Cu litz wires
Material wire insulation	PVC
Single wire, color	brown, blue, green/yellow, white, green, yellow, gray, pink, red, black, violet, gray/pink, red/blue, white/green, brown/green, white/yellow, yellow/brown, white/gray, gray/brown
Inner sheath thickness	≥ 0.15 mm
Thickness, outer sheath	≥ 0.76 mm
Overall twist	Wires twisted in layers
Nominal voltage, cable	300 V
Test voltage	2000 V
Minimum bending radius, fixed installation	7.5 x D
Minimum bending radius, flexible installation	10 x D
Max. bending cycles	1500000
Flame resistance	according to DIN EN 50265
Resistance to oil	according to VDE 0472 Part 803
Other resistance	Highly resistant to acids, alkaline solutions and solvents
Special properties	Silicone-free
Ambient temperature (operation)	-40 °C ... 90 °C (cable, fixed installation)
	-5 °C ... 80 °C (Cable, flexible installation)

Environmental and real-life conditions

Ambient conditions

Degree of protection	IP65
	IP67
Ambient temperature (operation)	-25 °C ... 80 °C

SACB-C-H180-8/16-30,0PUR SCO P - Connector hood

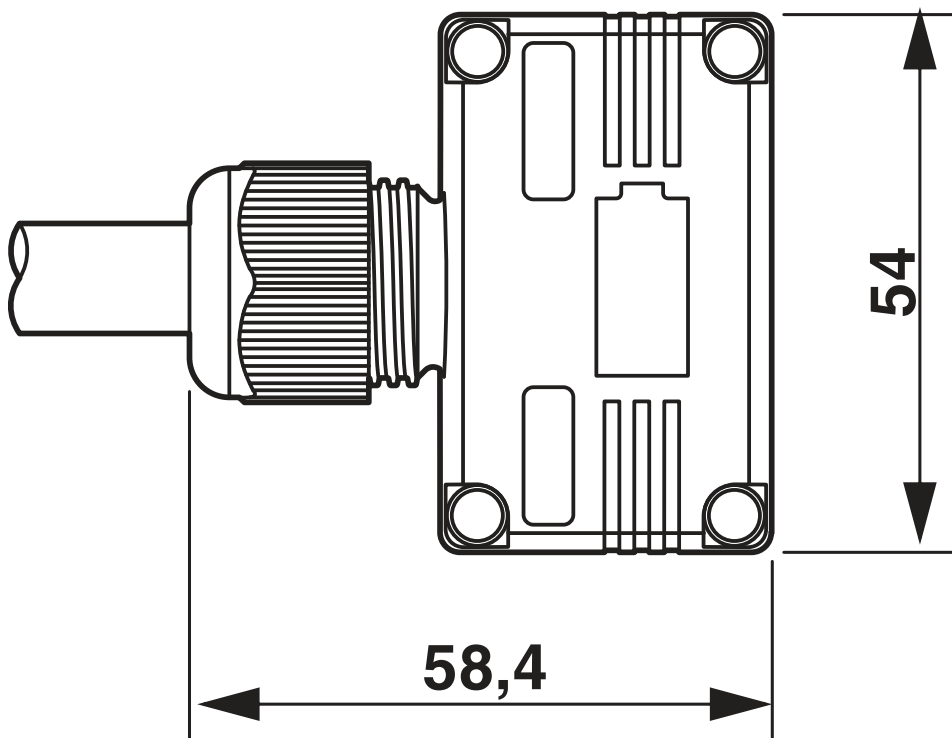
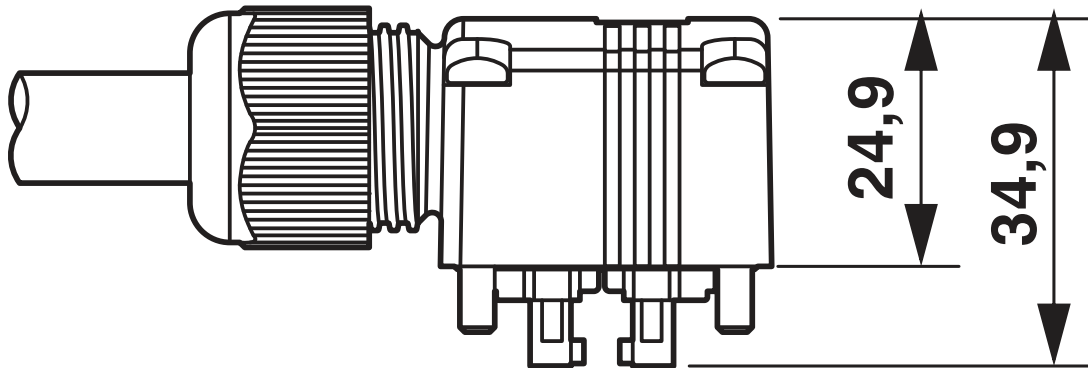


1097665

<https://www.phoenixcontact.com/us/products/1097665>

Drawings

Dimensional drawing



SACB-C-H180-8/16-30,0PUR SCO P - Connector hood



1097665

<https://www.phoenixcontact.com/us/products/1097665>

Approvals

To download certificates, visit the product detail page: <https://www.phoenixcontact.com/us/products/1097665>



EAC

Approval ID: RU C-DE.BL08.B.00511

SACB-C-H180-8/16-30,0PUR SCO P - Connector hood



1097665

<https://www.phoenixcontact.com/us/products/1097665>

Classifications

ECLASS

ECLASS-11.0	27440108
ECLASS-12.0	27440108
ECLASS-13.0	27440108

ETIM

ETIM 8.0	EC002585
----------	----------

UNSPSC

UNSPSC 21.0	31251500
-------------	----------

SACB-C-H180-8/16-30,0PUR SCO P - Connector hood



1097665

<https://www.phoenixcontact.com/us/products/1097665>

Environmental product compliance

China RoHS	Environmentally friendly use period: unlimited = EFUP-e
	No hazardous substances above threshold values

SACB-C-H180-8/16-30,0PUR SCO P - Connector hood



1097665

<https://www.phoenixcontact.com/us/products/1097665>

Accessories

SACB-8/16-L-C GG SCO P - Sensor/actuator box header

1452916

<https://www.phoenixcontact.com/us/products/1452916>



Sensor/actuator box header, application: Standard, connection method: M12-SPEEDCON-socket Plastic, number of slots: 8, number of positions: 5, coding: A, slot assignment: Double, status display: Yes, pnp; master cable connection: Pluggable screw connection, shielding: no

SACB-16X0,5/ 3X1,0-50,0 PUR - Master cable ring

1503373

<https://www.phoenixcontact.com/us/products/1503373>



Master cable for sensor/actuator boxes, with PE conductor, unshielded, material PUR/PP, 19-pos., 16 x 0.50 mm² and 3 x 1.00 mm², length: 50 m

SACB-C-H180-8/16-30,0PUR SCO P - Connector hood



1097665

<https://www.phoenixcontact.com/us/products/1097665>

SACB-16X0,5/ 3X1,0-200,0 PUR - Master cable ring

1559893

<https://www.phoenixcontact.com/us/products/1559893>



Master cable for sensor/actuator boxes, with PE conductor, unshielded, material PUR/PP, 19-pos., 16 x 0.50 mm² and 3 x 1.00 mm², length: 200 m on drum

SACB-16X0,5/ 3X1,0-50,0 VPUR - Master cable ring

1430938

<https://www.phoenixcontact.com/us/products/1430938>



Master cable for sensor/actuator boxes, with PE conductor, unshielded, material PUR/PP, 19-pos., 16 x 0.50 mm² and 3 x 1.00 mm², length: 50 m

SACB-C-H180-8/16-30,0PUR SCO P - Connector hood



1097665

<https://www.phoenixcontact.com/us/products/1097665>

SZK PZ2 VDE - Screwdriver

1206463

<https://www.phoenixcontact.com/us/products/1206463>



Screwdriver, PZ crosshead, VDE insulated, size: PZ 2 x 100 mm, 2-component grip, with non-slip grip

TSD 25 SAC - Torque screwdriver

1212315

<https://www.phoenixcontact.com/us/products/1212315>



Torque screwdriver, with preset torque of 2.5 Nm and 4 mm hexagonal drive for the pressure nut of the connector hood

SACB-C-H180-8/16-30,0PUR SCO P - Connector hood



1097665

<https://www.phoenixcontact.com/us/products/1097665>

TSD-M 1,2NM - Torque screwdriver

1212224

<https://www.phoenixcontact.com/us/products/1212224>



Torque screw driver, accuracy as per EN ISO 6789 standard, adjustable from 0.3 - 1.2 Nm

TSD-M 3NM - Torque screwdriver

1212225

<https://www.phoenixcontact.com/us/products/1212225>



Torque screw driver, accuracy as per EN ISO 6789 standard, adjustable from 1.2 - 3 Nm

SACB-C-H180-8/16-30,0PUR SCO P - Connector hood



1097665

<https://www.phoenixcontact.com/us/products/1097665>

SAC BIT HOOD-W 24 - Tool

1212486

<https://www.phoenixcontact.com/us/products/1212486>

Nut for assembling pressure nuts with 24 mm wrench size, for 4 mm hexagonal drive



TSD-M SAC-BIT ADAPTER - Adapter insert

1212600

<https://www.phoenixcontact.com/us/products/1212600>

Adapter bit for TSD-M...torque tools, E6.3-1/4" drive with 4 mm hexagon to accommodate SAC bits



SACB-C-H180-8/16-30,0PUR SCO P - Connector hood



1097665

<https://www.phoenixcontact.com/us/products/1097665>

SF-BIT-PZ 2-50 - Screw insert

1212592

<https://www.phoenixcontact.com/us/products/1212592>



Screw bit, PZ crosshead, E6.3-1/4" drive, size: PZ 2 x 50 mm, hardened, suitable for holder according to DIN 3126-F6.3/ISO 1173

UC-EM (17,5X9) - Snap-in markers

0827490

<https://www.phoenixcontact.com/us/products/0827490>



Snap-in markers, Sheet, white, unlabeled, can be labeled with: BLUEMARK ID, BLUEMARK ID COLOR, BLUEMARK CLED, BLUEMARK LED, CMS-P1-PLOTTER, PLOTMARK, mounting type: snapped, lettering field size: 17.5 x 9 mm, Number of individual labels: 20

SACB-C-H180-8/16-30,0PUR SCO P - Connector hood



1097665

<https://www.phoenixcontact.com/us/products/1097665>

UC-EM (17,5X9) CUS - Snap-in markers

0828238

<https://www.phoenixcontact.com/us/products/0828238>



Snap-in markers, can be ordered: by sheet, white, labeled according to customer specifications, mounting type: snapped into marker carrier, lettering field size: 17.5 x 9 mm, Number of individual labels: 20

UCT-EM (17,5X9) - Snap-in markers

0801491

<https://www.phoenixcontact.com/us/products/0801491>



Snap-in markers, Sheet, white, unlabeled, can be labeled with: TOPMARK NEO, TOPMARK LASER, BLUEMARK ID COLOR, BLUEMARK ID, BLUEMARK CLED, THERMOMARK PRIME, THERMOMARK CARD 2.0, THERMOMARK CARD, mounting type: snapped, lettering field size: 17.5 x 9 mm, Number of individual labels: 24

SACB-C-H180-8/16-30,0PUR SCO P - Connector hood



1097665

<https://www.phoenixcontact.com/us/products/1097665>

UCT-EM (17,5X9) CUS - Snap-in markers

0801575

<https://www.phoenixcontact.com/us/products/0801575>

UniCard sheet, for labeling devices from other manufacturers, for overview table see download area, labeled according to customer specifications

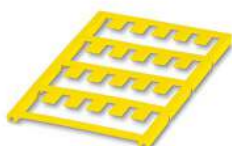


UC-EM (17,5X9) YE - Snap-in markers

0827494

<https://www.phoenixcontact.com/us/products/0827494>

Snap-in markers, Sheet, yellow, unlabeled, can be labeled with: BLUEMARK ID COLOR, BLUEMARK ID, BLUEMARK CLED, PLOTMARK, CMS-P1-PLOTTER, mounting type: snapped, lettering field size: 17.5 x 9 mm, Number of individual labels: 20



SACB-C-H180-8/16-30,0PUR SCO P - Connector hood

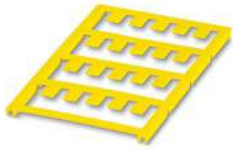
1097665

<https://www.phoenixcontact.com/us/products/1097665>

UC-EM (17,5X9) YE CUS - Snap-in markers

0828239

<https://www.phoenixcontact.com/us/products/0828239>



Snap-in markers, can be ordered: by sheet, yellow, labeled according to customer specifications, mounting type: snapped into marker carrier, lettering field size: 17.5 x 9 mm, Number of individual labels: 20

UCT-EM (17,5X9) YE - Snap-in markers

0801492

<https://www.phoenixcontact.com/us/products/0801492>



Snap-in markers, Sheet, yellow, unlabeled, can be labeled with: TOPMARK NEO, TOPMARK LASER, BLUEMARK ID COLOR, BLUEMARK ID, BLUEMARK CLED, THERMOMARK PRIME, THERMOMARK CARD 2.0, THERMOMARK CARD, mounting type: snapped, lettering field size: 17.5 x 9 mm, Number of individual labels: 24

SACB-C-H180-8/16-30,0PUR SCO P - Connector hood



1097665

<https://www.phoenixcontact.com/us/products/1097665>

UCT-EM (17,5X9) YE CUS - Snap-in markers

0801576

<https://www.phoenixcontact.com/us/products/0801576>

UniCard sheet, for labeling devices from other manufacturers, for overview table see download area, labeled according to customer specifications



Phoenix Contact 2023 © - all rights reserved

<https://www.phoenixcontact.com>

Phoenix Contact USA
586 Fulling Mill Road
Middletown, PA 17057, United States
(+717) 944-1300
info@phoenixcon.com