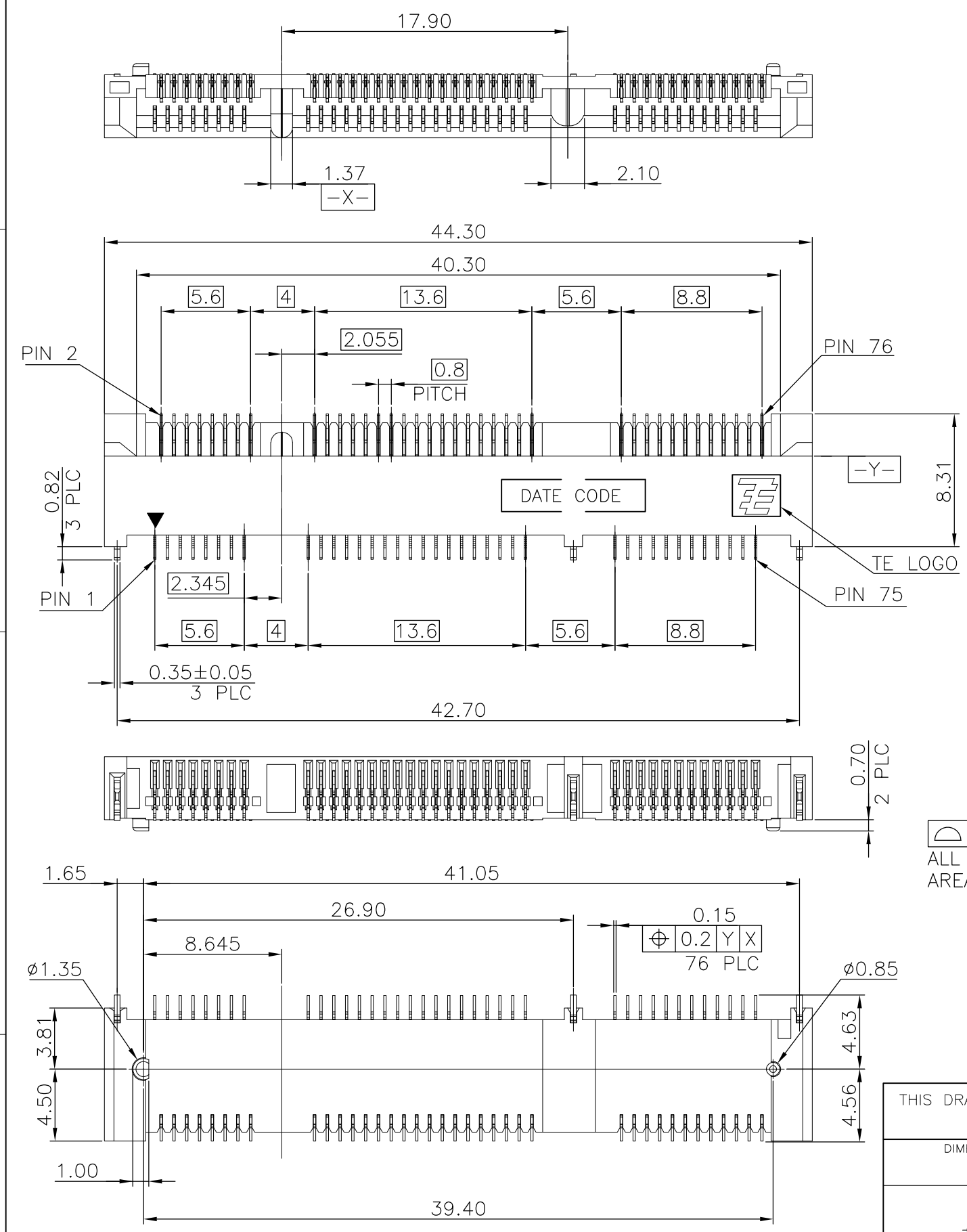


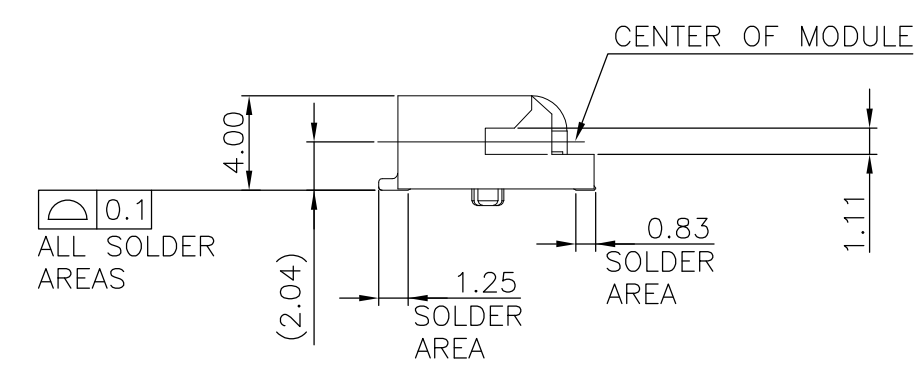
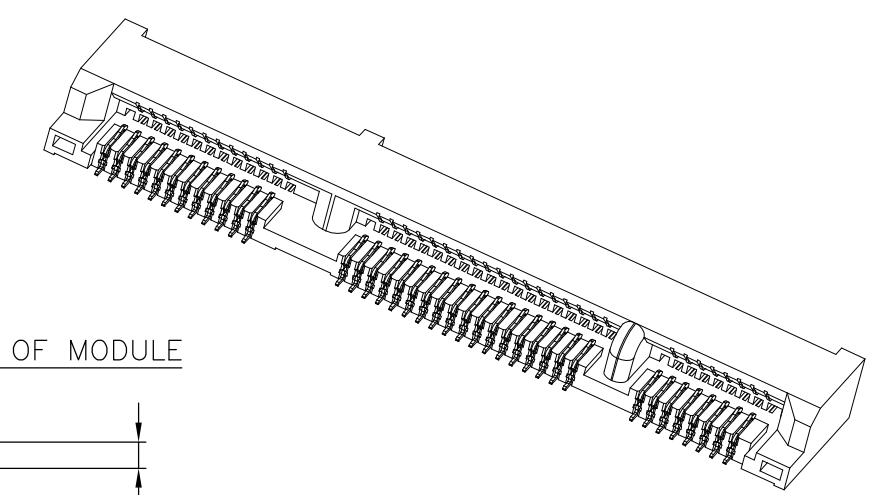
THIS DRAWING IS UNPUBLISHED. RELEASED FOR PUBLICATION
 © COPYRIGHT 2010 BY TYCO ELECTRONICS CORPORATION. ALL RIGHTS RESERVED.

REVISIONS					
P	LTR	DESCRIPTION	DATE	DWN	APVD
B		REVISED PER ECR-16-006370	31MAY16	DZ	SL



NOTES:

- MATERIAL:
HOUSING: LCP WITH 30% GF, UL94 V-0, BLACK COLOR.
CONTACTS: PHOSPHOR BRONZE.
PEGS: BRASS.
- FINISH:
CONTACTS: (SEE TABLE) GOLD PLATED ON CONTACT AREA, GOLD FLASH ON SOLDER AREA, WITH ENTIRE CONTACT UNDERPLATED 1.27μm [50μ"] MIN. NICKEL.
PEGS: 3.048μm [120μ"] MIN. MATTE-TIN OVER 1.27μm [50μ"] MIN. NICKEL.
- REFLOW SOLDER CAPABLE TO 260°C PER TEC-109-201, CONDITION B.
- SUBSTANCE RESTRICTIONS FOR LOW HALOGEN (BY WEIGHT):
BROMINE (Br) ≤ 900 PPM (0.09%)
CHLORINE (Cl) ≤ 900 PPM (0.09%)
TOTAL CONCENTRATION OF CHLORINE (Cl) + BROMINE (Br) ≤ 1500 PPM (0.15%)



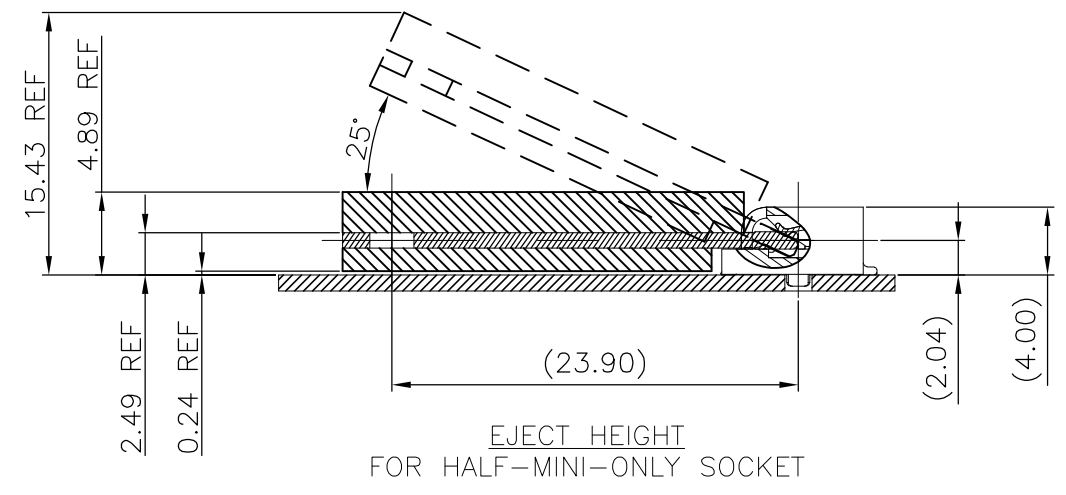
	0.762μm [30μ"]	2041286-2
OBSOLETE	GOLD FLASH	2041286-1
	MIN. GOLD THICKNESS	PART NUMBER

THIS DRAWING IS A CONTROLLED DOCUMENT.		DWN A. WU 22DEC2010	TE Connectivity		
DIMENSIONS: mm		CHK S. CHIEN 22DEC2010			
TOLERANCES UNLESS OTHERWISE SPECIFIED:		APVD W. KODAMA	NAME 0.8 MM PITCH MINI PCI EXPRESS 76PIN CONNECTOR ASSEMBLY (4MM HEIGHT)		
0 PLC ± -		PRODUCT SPEC 108-57852	SIZE CAGE CODE DRAWING NO RESTRICTED TO		
1 PLC ± 0.3		APPLICATION SPEC -	WEIGHT 1.752 GRAMS A3 00779 C-2041286		
2 PLC ± 0.2			SCALE - SHEET 1 OF 4 REV B		
3 PLC ± 0.15					
4 PLC ± -					
ANGLES ± -					
FINISH SEE NOTE					

THIS DRAWING IS UNPUBLISHED. RELEASED FOR PUBLICATION
 © COPYRIGHT 2010 BY TYCO ELECTRONICS CORPORATION. ALL RIGHTS RESERVED.

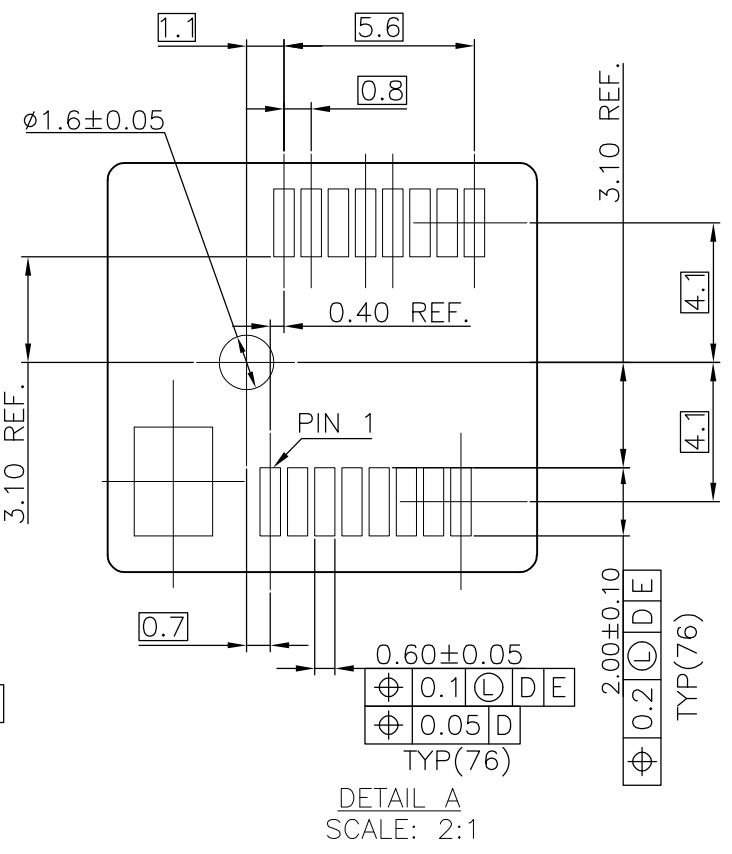
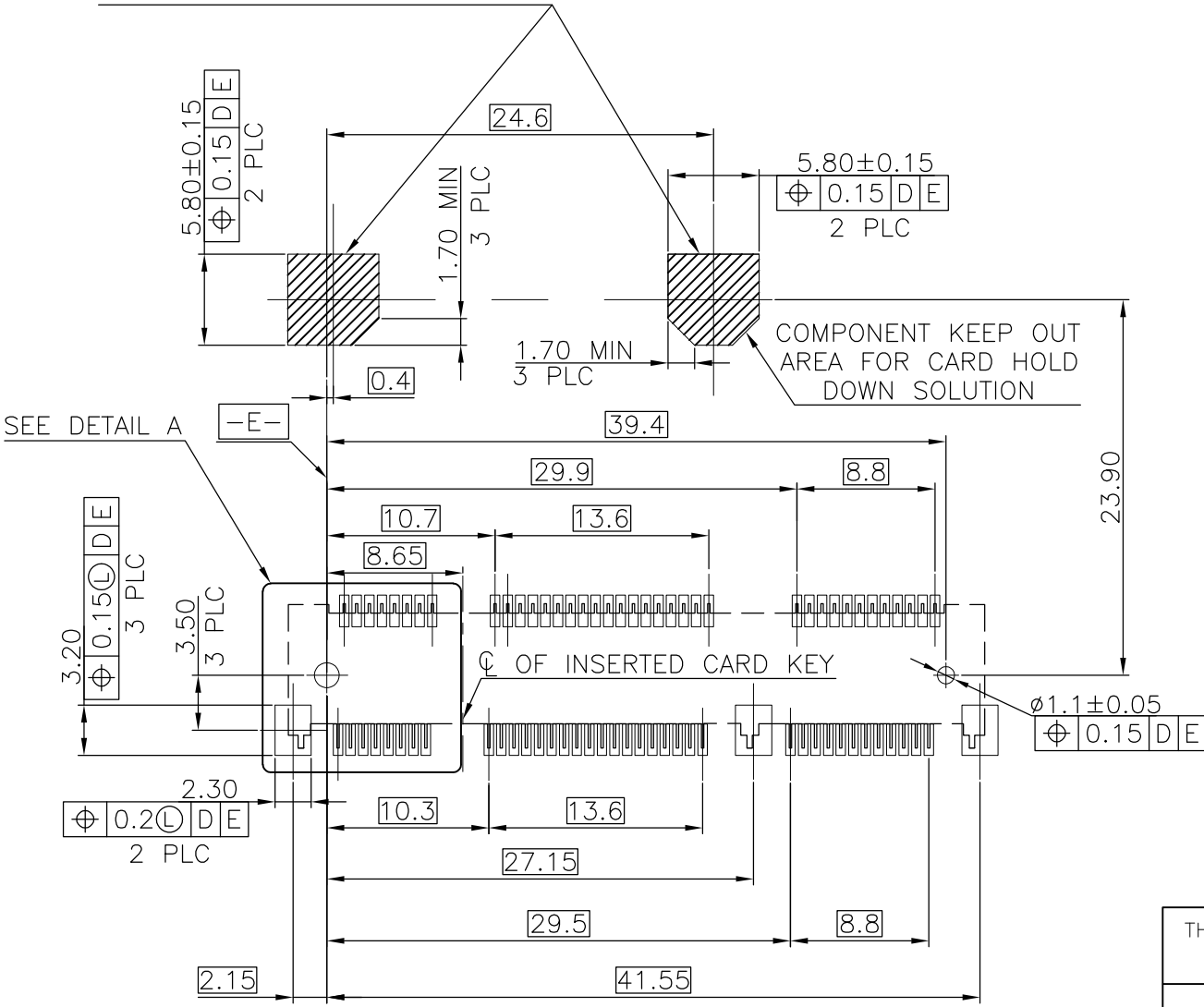
REVISIONS				
P	LTR	DESCRIPTION	DATE	APVD
B		SEE SHEET 1	-	-

CONNECTOR PIN-OUT DEFINITIONS



PIN#	NAME	PIN#	NAME	PIN#	NAME	PIN#	NAME
75	GND	76	MLDIR	51	RESERVED	52	+3.3Vaux
73	ML0p	74	GND	49	RESERVED	50	GND
71	ML0n	72	GND	47	RESERVED	48	+1.5V
69	GND	70	ML1p	45	RESERVED	46	LED_WPAN#
67	GND	68	ML1n	43	GND	44	LED_WLAN#
65	ML2p	66	GND	41	+3.3Vaux	42	LED_WWAN#
63	ML2n	64	GND	39	+3.3Vaux	40	GND
61	GND	62	ML3p	37	GND	38	USB_D+
59	GND	60	ML3n	35	GND	36	USB_D-
57	AUXp	58	GND	33	PETp0	34	GND
55	AUXn	56	GND	31	PETn0	32	SMB_DATA
53	DMC#	54	HPD	29	GND	30	SMB_CLK
				27	GND	28	+1.5V
				25	PERp0	26	GND
				23	PERn0	24	+3.3Vaux
				21	GND	22	PERST#
				19	RESERVED* (UIM_C4)	20	W_DISABLE#
				17	RESERVED* (UIM_C8)	18	GND


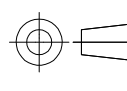
COMPONENT KEEP OUT AREA FOR CARD HOLD DOWN SOLUTION



MECHANICAL KEY			
15	GND	16	UIM_VPP
13	REFCLK+	14	UIM_RESET
11	REFCLK-	12	UIM_CLK
9	GND	10	UIM_DATA
7	CLKREQ#	8	UIM_PWR
5	COEX2	6	1.5V
3	COEX1	4	GND
1	WAKE#	2	3.3Vaux

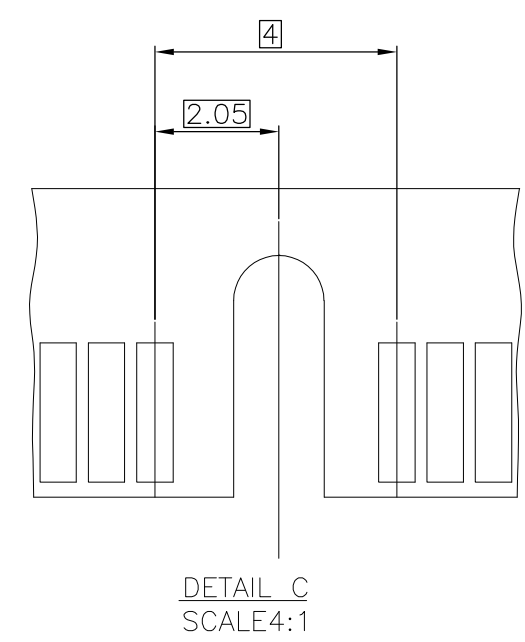
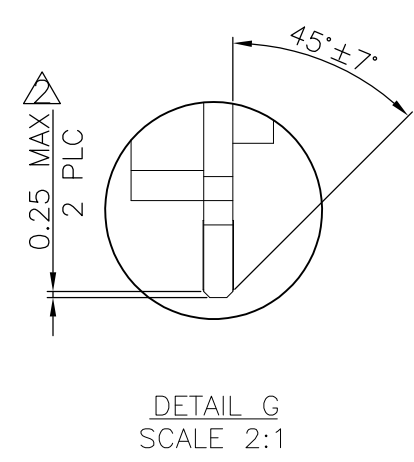
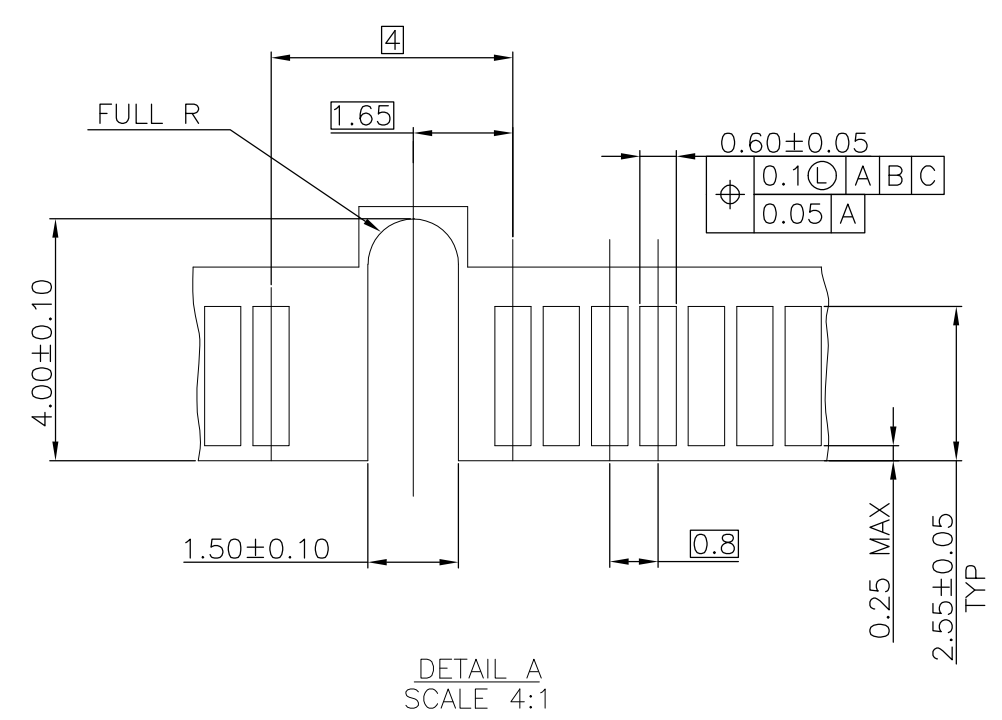
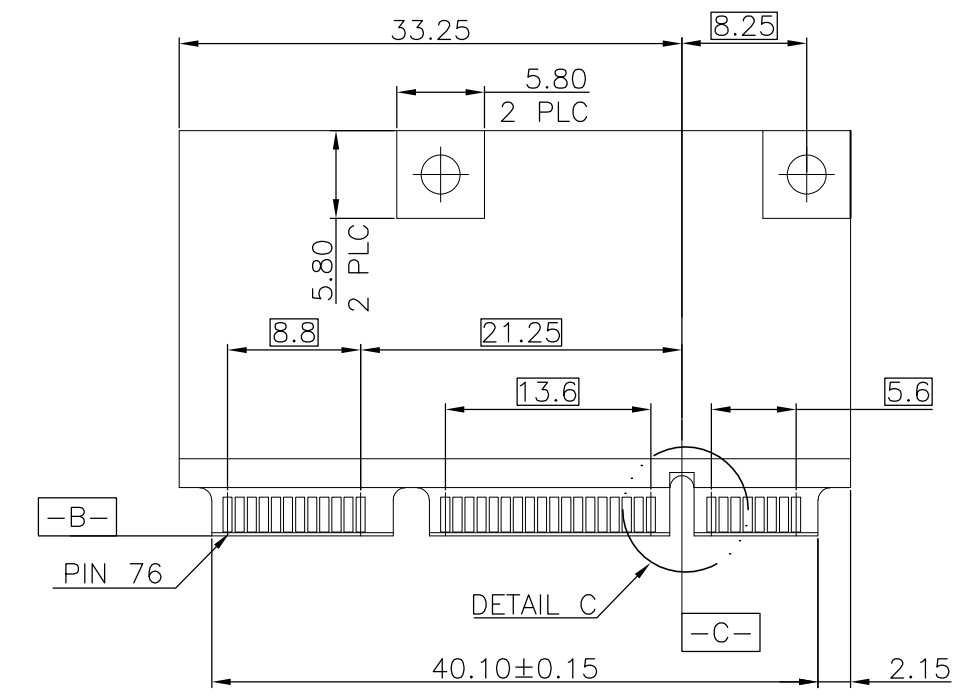
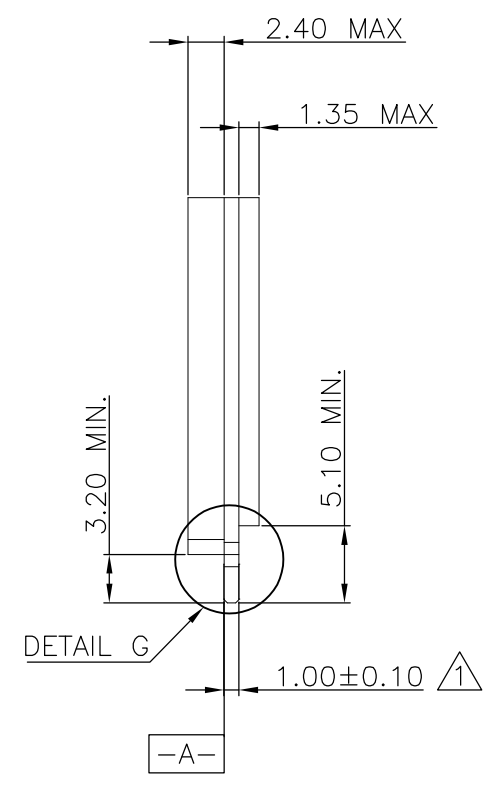
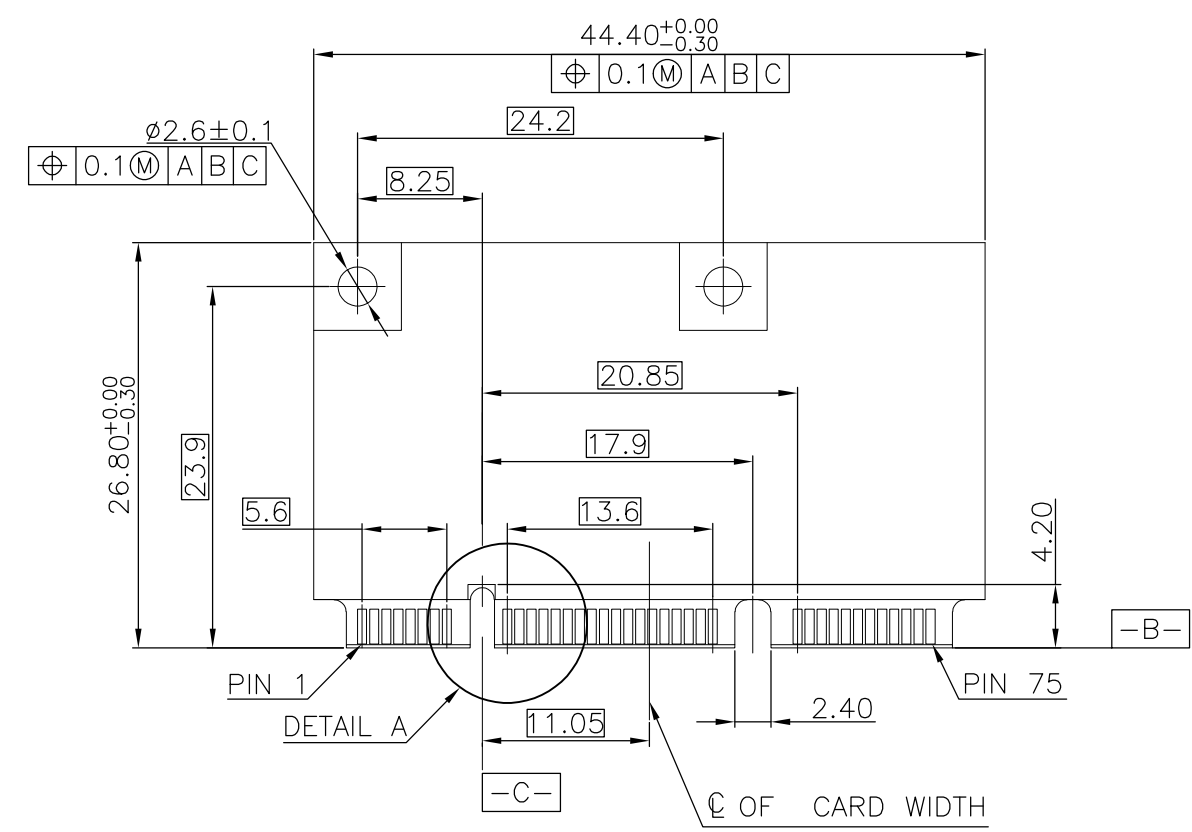
* RESERVED FOR FUTURE UIM INTERFACE (IF NEEDED)

-D- IS THE TOP SURFACE OF PCB.
 RECOMMENDED P.C.B BOARD LAYOUT
 TOLERANCE: ±0.05

THIS DRAWING IS A CONTROLLED DOCUMENT.		DWN A. WU 22DEC2010	 TE Connectivity	
		CHK S. CHIEN 22DEC2010		
		APVD W. KODAMA		
		PRODUCT SPEC		
DIMENSIONS: mm		TOLERANCES UNLESS OTHERWISE SPECIFIED:		NAME 0.8 MM PITCH MINI PCI EXPRESS 76PIN CONNECTOR ASSEMBLY (4MM HEIGHT)
		0 PLC ± -		SIZE A3
		1 PLC ± -		CAGE CODE 00779
MATERIAL -		2 PLC ± -		DRAWING NO C=2041286
		3 PLC ± -		RESTRICTED TO -
FINISH -		4 PLC ± -		SCALE -
		ANGLES ± -		SHEET 2 OF 4
CUSTOMER DRAWING		WEIGHT -		REV B
		SCALE -		

THIS DRAWING IS UNPUBLISHED. RELEASED FOR PUBLICATION
 © COPYRIGHT 2010 BY TYCO ELECTRONICS CORPORATION. ALL RIGHTS RESERVED.

REVISIONS					
P	LTR	DESCRIPTION	DATE	DWN	APVD
	B	SEE SHEET 1	-	-	-



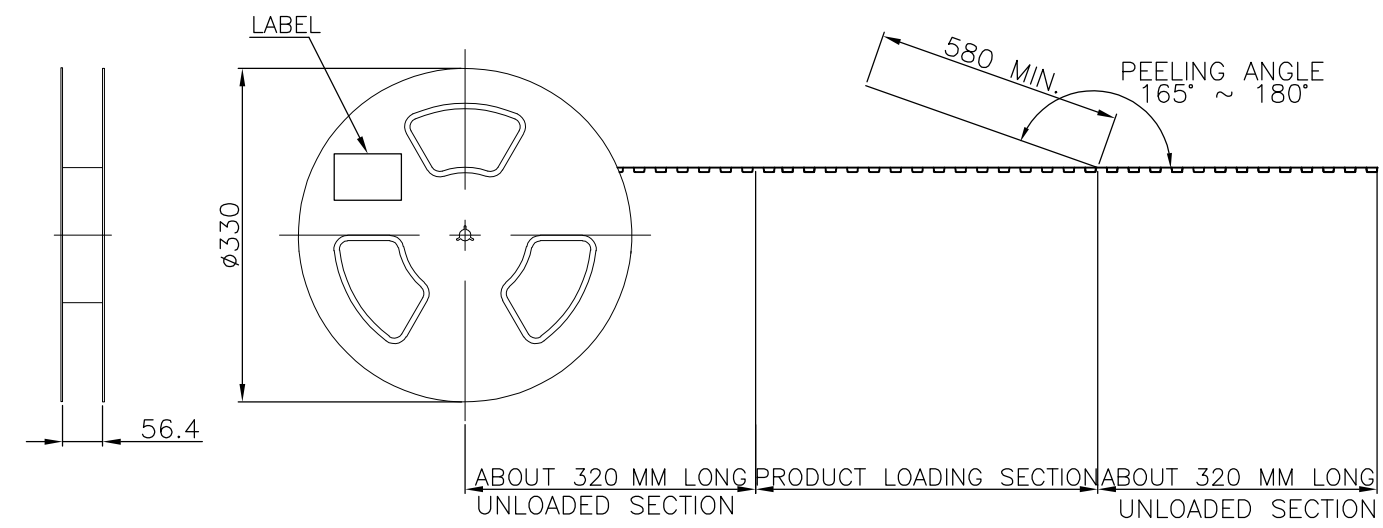
NOTES:

- $\triangle 1$ CARD THICKNESS APPLIES ACROSS TABS AND INCLUDES PLATING AND/OR METALLIZATION.
- $\triangle 1$ EDGE BEVEL MUST BE PRESENT AND FREE OF CUTTING BURRS FROM PCB AND CONTACT MATERIALS.

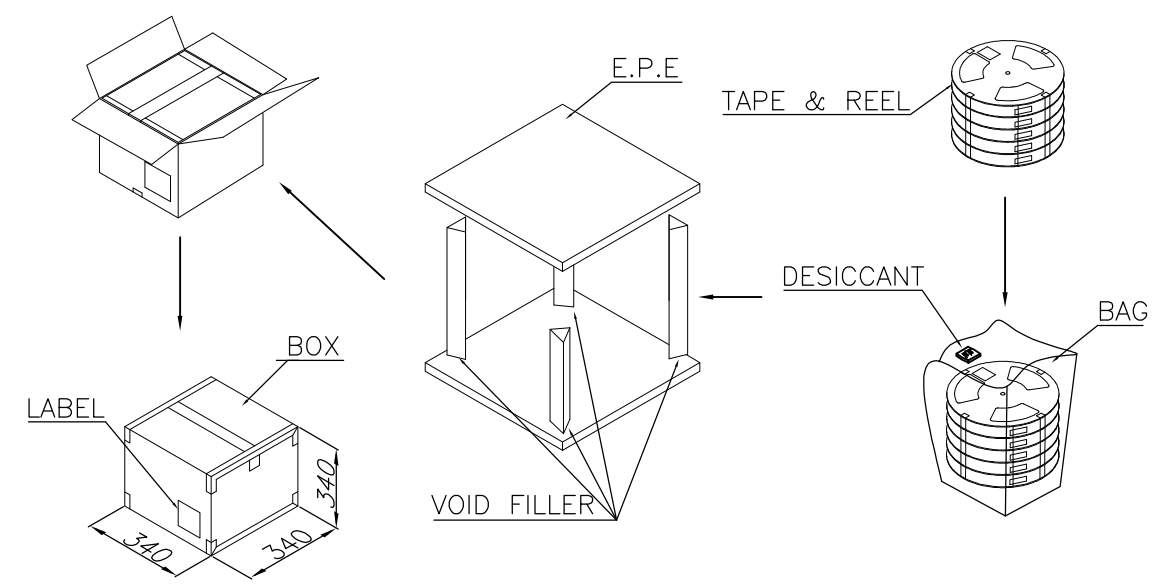
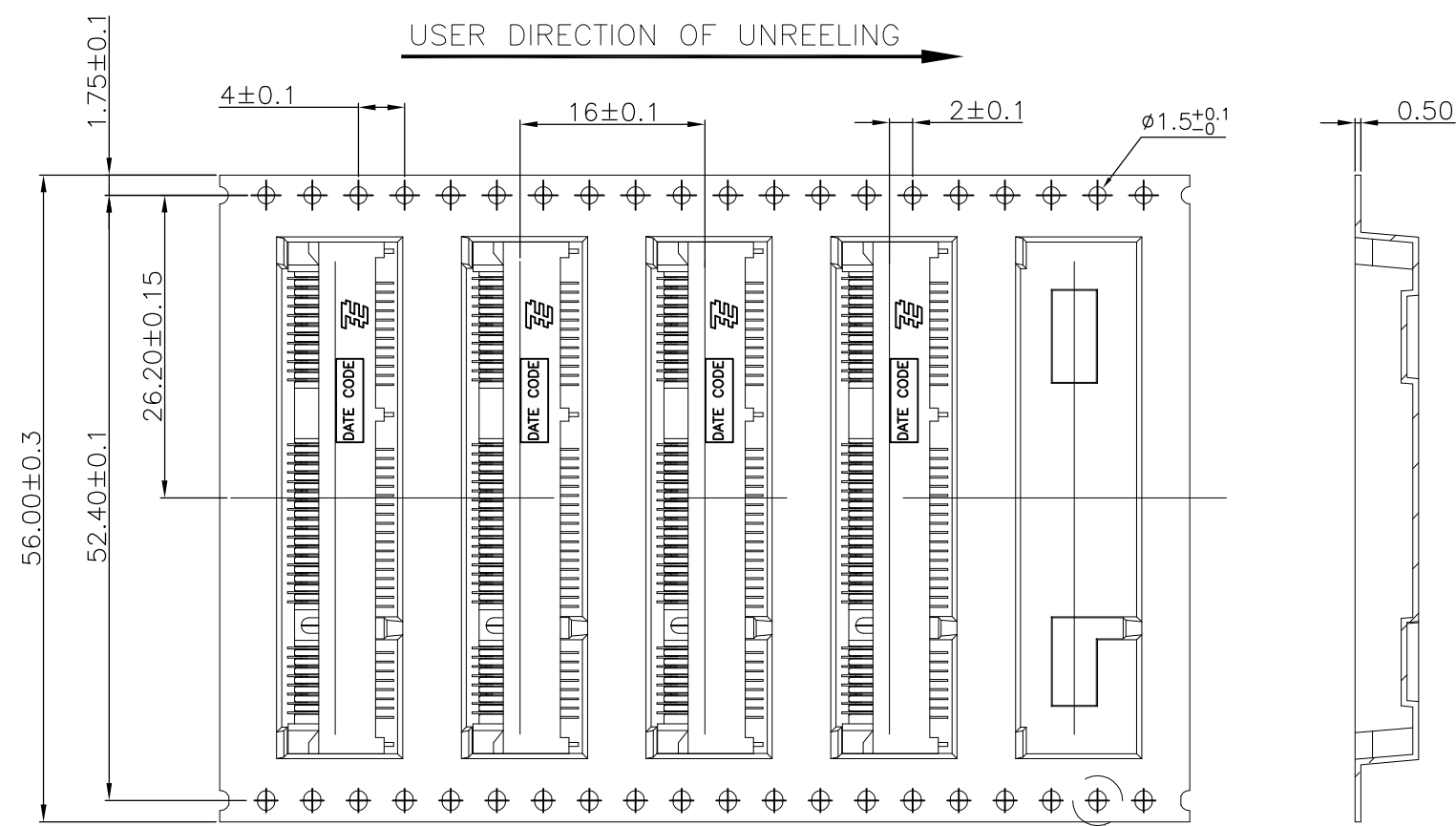
THIS DRAWING IS A CONTROLLED DOCUMENT.		DWN A. WU 22DEC2010	TE Connectivity																				
DIMENSIONS: mm		CHK S. CHIEN 22DEC2010																					
TOLERANCES UNLESS OTHERWISE SPECIFIED:		APVD W. KODAMA	NAME 0.8 MM PITCH MINI PCI EXPRESS 76PIN CONNECTOR ASSEMBLY (4MM HEIGHT)																				
<table border="1"> <tr><td>0 PLC</td><td>\pm</td><td>-</td></tr> <tr><td>1 PLC</td><td>\pm</td><td>-</td></tr> <tr><td>2 PLC</td><td>\pm</td><td>-</td></tr> <tr><td>3 PLC</td><td>\pm</td><td>-</td></tr> <tr><td>4 PLC</td><td>\pm</td><td>-</td></tr> <tr><td>ANGLES</td><td>\pm</td><td>-</td></tr> </table>		0 PLC	\pm	-	1 PLC	\pm	-	2 PLC	\pm	-	3 PLC	\pm	-	4 PLC	\pm	-	ANGLES	\pm	-	PRODUCT SPEC -	RESTRICTED TO -		
0 PLC	\pm	-																					
1 PLC	\pm	-																					
2 PLC	\pm	-																					
3 PLC	\pm	-																					
4 PLC	\pm	-																					
ANGLES	\pm	-																					
MATERIAL -		FINISH -	APPLICATION SPEC -	SIZE A3	CAGE CODE 00779	DRAWING NO C-2041286																	
CUSTOMER DRAWING			WEIGHT -	SCALE -	SHEET 3 OF 4	REV B																	

THIS DRAWING IS UNPUBLISHED. RELEASED FOR PUBLICATION
 © COPYRIGHT 2010 BY TYCO ELECTRONICS CORPORATION. ALL RIGHTS RESERVED.

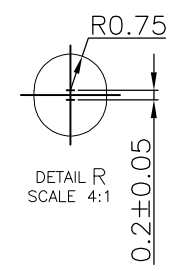
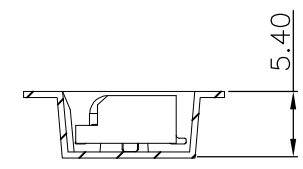
REVISIONS					
P	LTR	DESCRIPTION	DATE	DWN	APVD
	B	SEE SHEET 1	-	-	-



- NOTES:
- MATERIAL:
 BOX: FIBREBOARD, CORRUGATED, DOUBLE WALL.
 COVER TAPE: PET, TRANSPARENT COLOR.
 CARRIER TAPE: POLYSTYRENES, TRANSPARENT COLOR.
 REEL: HIPS, BLUE COLOR.
 BAG: POLYETHYLENES, TRANSPARENT COLOR.
 - EACH BAG SHALL BE INCLUDED DESICCANT.
 - PEELING STRENGTH: 0.1 ~ 1.3 N (10 ~ 130 GRAMS).
 - PEELING SPEED: 300 mm/min.



4000	5	800	7.01 Kg	12.3 Kg
PCS/BOX	REELS/BOX	PCS/TAPE	NET WEIGHT	GROSS WEIGHT



THIS DRAWING IS A CONTROLLED DOCUMENT.		DWN A. WU 22DEC2010	TE Connectivity		
DIMENSIONS: mm		CHK S. CHIEN 22DEC2010			
TOLERANCES UNLESS OTHERWISE SPECIFIED:		APVD W. KODAMA	NAME 0.8 MM PITCH MINI PCI EXPRESS 76PIN CONNECTOR ASSEMBLY (4MM HEIGHT)		
0 PLC ± -		PRODUCT SPEC	SIZE		
1 PLC ± -		APPLICATION SPEC	CAGE CODE		
2 PLC ± -		WEIGHT	DRAWING NO		
3 PLC ± -		CUSTOMER DRAWING	RESTRICTED TO		
4 PLC ± -			A3 00779 C-2041286		
ANGLES ± -			SCALE		
FINISH			SHEET		
			4 OF 4		
			REV		
			B		