



## ER14250

### ELECTRICAL CHARACTERISTICS

Nominal Capacity 1.2Ah  
(1mA, +25°C 2V cut off. The capacity restored by the cell varies according to current drain, temperature and cut-off)

Nominal Voltage 3.6V

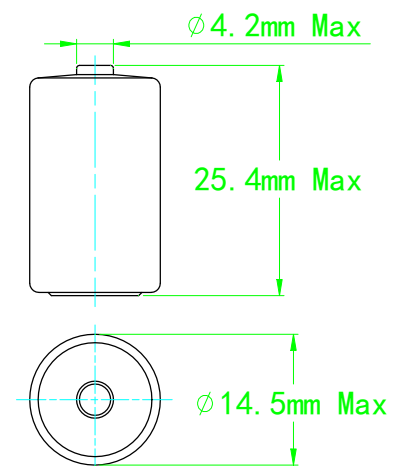
Max. continuous current 25mA

Max. Pulse Capability 50mA

Storage (recommended) Max. 30°C

Operating Temperature Range - 60°C ~ +85°C  
(Operation at temperature different from ambient may lead to reduced capacity and lower voltage plateau readings)

Weight Approx. 11g



SIZE: 1/2AA

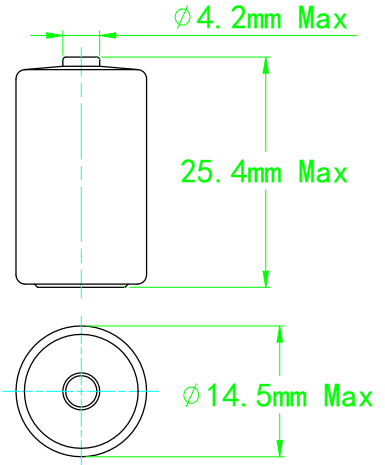
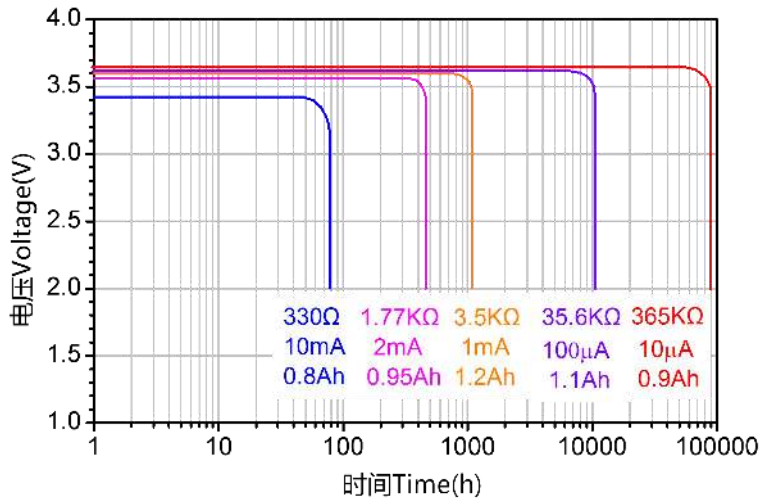
### KEY FEATURES

- High and stable operating voltage
- Low self discharge rate (less than 1% after 1 year of storage at 25°C)
- Long storage life
- Stainless steel container (with low magnet)
- Widely operating temperature range
- Hermetic glass-to-metal sealing
- Non-flammable electrolyte
- CE, UL, SGS recognized, ISO9001 approved

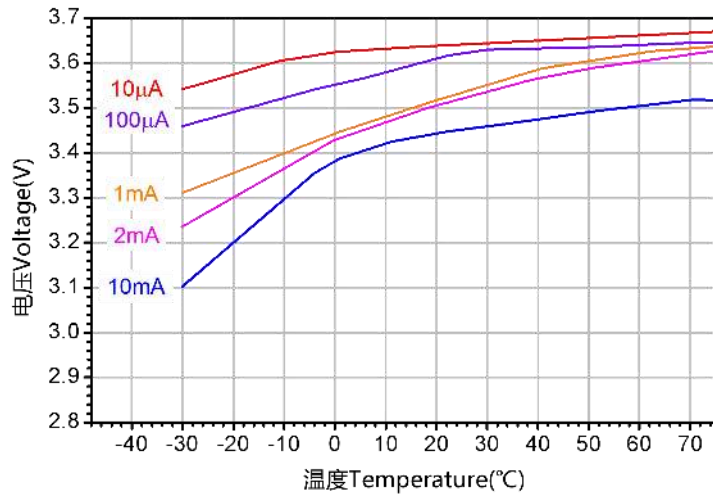
### APPLICATION

- Utility metering
- Memory back-up
- Alarms and security devices
- Tollgate systems
- Military electronics
- Automotive electronics
- Professional electronics
- GPS tracking
- Real time clock

### DISCHARGE CHARACTERISTICS ( +25°C )



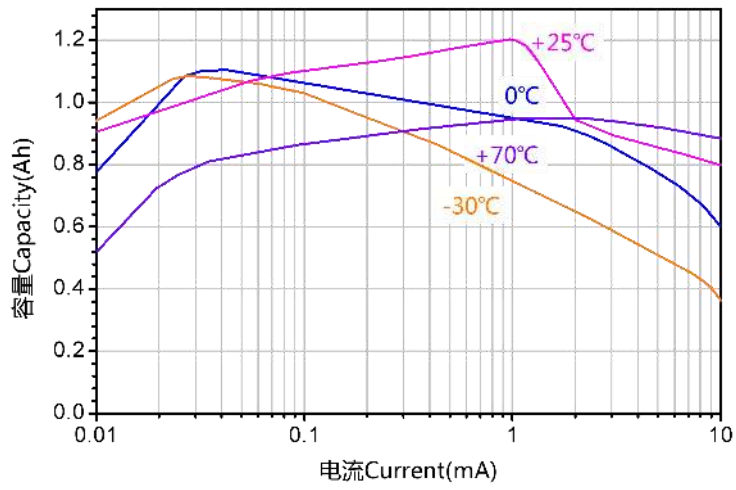
### VOLTAGE VERSUS TEMPERATURE



### CAPACITY VERSUS CURRENT

#### WARNING

- ✧ It is strictly forbidden to have the battery positive and negative short circuit, charging, discharging, heating over 100 °C, remove, anatomy, or may cause explosion, combustion, internal acid leakage.
- ✧ Do not solder directly on the battery, should use wire or nickel sheet by pre spot welded .
- ✧ Can not mixed use with old and new battery or mixed use different kinds battery.
- ✧ Don't assemble the batteries from different manufacturers.
- ✧ Do not use the battery over the temperature range.
- ✧ Discharged battery should be buried deeply in the ground.



<https://batteryguy.com>