

| PART NO.   | ENGINEERING NO. | FINISHED LENGTH |
|------------|-----------------|-----------------|
| 1201080574 | E16A06017M005   | 0.5M [19.7"]    |
| 1201080575 | E16A06017M010   | 1.0M [3'3"]     |
| 1201080661 | E16A06017M100   | 10.0M [32'10"]  |

**CABLE LENGTH TOLERANCES**

>.3M [1FT]: +19mm-0 [+0.75in-0]

.3 - .9M [1 - 3FT]: +44.5mm-0 [+1.75in-0]

.9 - 1.8M [3 - 6FT]: +55.6mm-0 [+2.19in-0]

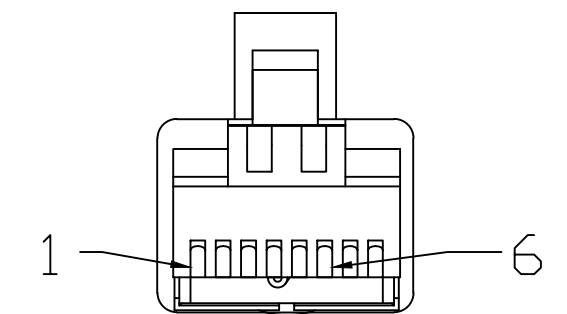
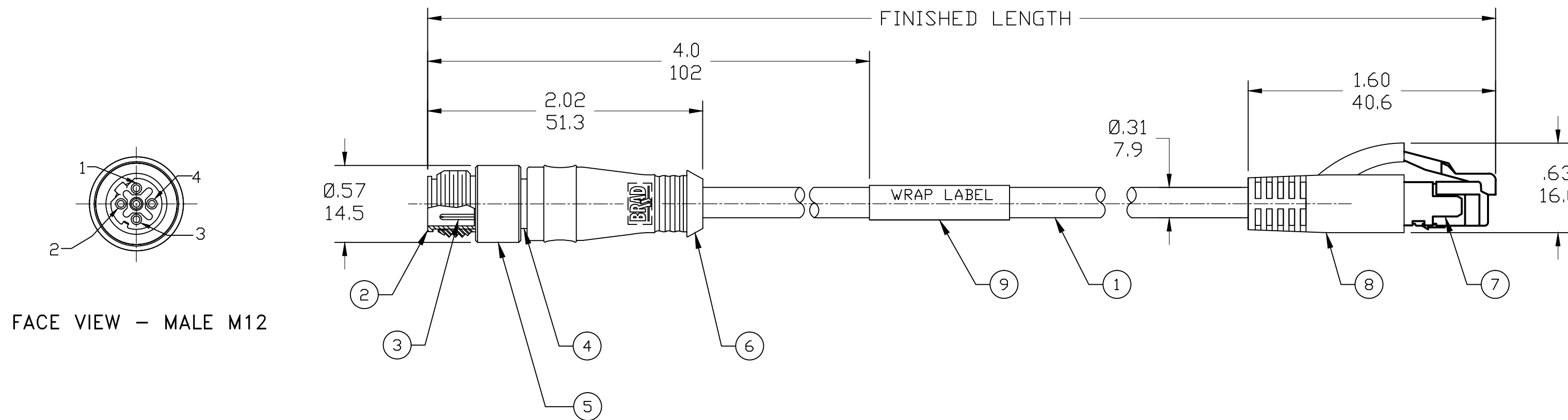
1.8 - 3.7M [6 - 12FT]: +88.9mm-0 [+3.50in-0]

3.7 - 7.3M [12 - 24FT]: +165.1mm-0 [+6.50in-0]

7.3-14.6M [24 - 48FT]: +317.5mm-0 [+12.50in-0]

14.6 - 30.5M [48-100FT]: +622.3mm-0 [+24.50in-0]

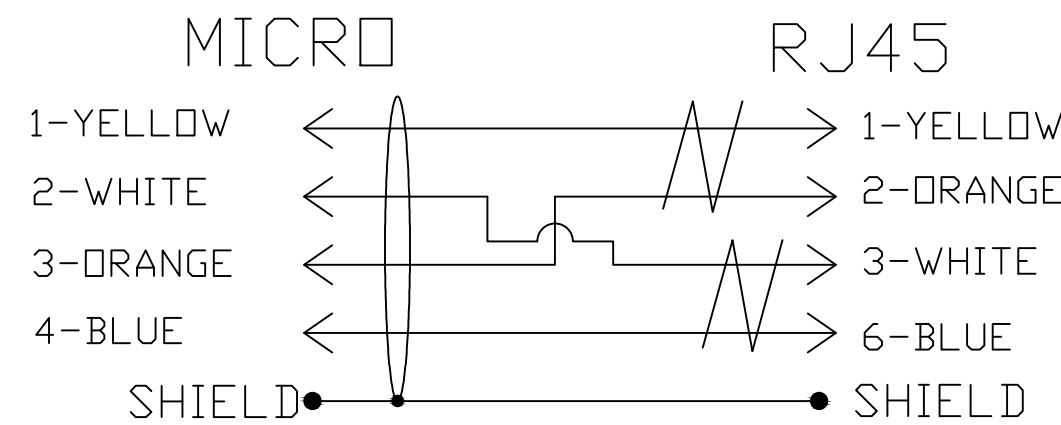
OVER 30M [100FT] +2% OF FINISHED LENGTH



FACE VIEW - MALE RJ45  
SCALE: 2X

FACE VIEW - MALE M12

- NOTES:**
- MATERIAL: AS NOTED
  - FINISH: AS NOTED
  - ELECTRICAL:  
VOLTAGE: 125V  
CURRENT: 1.5A
  - TEMP RATING: -20° TO +75°C
  - PROTECTION: IP67 (WHEN MATED)
  - COUPLING THREAD: M12 X 1
  - UL CERTIFIED FILE: E200650
  - ALL DIMS ARE FOR REFERENCE UNLESS NOTED OTHERWISE



WIRING DIAGRAM

**PART NUMBER LEGEND**

E16A06017M005

FINISHED LENGTH:  
M005= 0.5 METER  
M010= 1 METER  
M100= 10 METER

REF. THIS DRAWING SUPERSEDES CO-CREATE DRAWING SD-120108-091 REV-B

| ITEM | DESCRIPTION                | MATERIAL      | FINISH        |
|------|----------------------------|---------------|---------------|
| 9    | WRAP LABEL                 | VINYL         | BLACK/YELLOW  |
| 8    | RJ-45 BOOT                 | PVC           | BLACK         |
| 7    | RJ-45 PLUG                 | POLYCARBONATE | CLEAR         |
| 6    | OVERMOLD                   | PBT           | GRAY          |
| 5    | COUPLING NUT               | BRASS         | NICKEL PLATED |
| 4    | SHIELD HOUSING             | BRASS         | NICKEL PLATED |
| 3    | CONTACT PIN                | COPPER ALLOY  | GOLD PLATED   |
| 2    | MALE INSERT, D-CODE        | PUR           | BLACK         |
| 1    | CABLE, 2 PAIR, 22AWG, SHLD | TPE JACKET    | GREEN         |

| REV | DESCRIPTION   | QUALITY SYMBOL | GENERAL TOLERANCES (UNLESS SPECIFIED)   |      | DIMENSION STYLE                                      |                               | SCALE               | DESIGN UNITS   | THIRD ANGLE PROJECTION |
|-----|---|----------------|---|------|--|-------------------------------|---------------------|--|------------------------|
|     |   |                | mm  | INCH | IN/MM  | NTS                           | INCH                |  |                        |
| C   | REVISED PER LATEST STD<br>EC NO: IPG2019-0171<br>DRWN: RSTONE 2018/10/15<br>CHKD: C CHRAST 2018/10/22<br>APPR: BWOODMAN | ▽=0<br>∇=0     | 4 PLACES  | ±--- | ±---   | DRAWN BY<br>RSTONE            | DATE<br>2018/10/15  | TITLE<br>M12 TO RJ45 CORDSET<br>4P MALE M12/RJ45 ST<br>PROFI-NET |                        |
|     |   |                | 3 PLACES  | ±--- | ±---   | CHECKED BY<br>C CHRAST        | DATE<br>----        | MOLEX INCORPORATED   |                        |
|     |   |                | 2 PLACES  | ±--- | ±---   | APPROVED BY<br>----           | DATE<br>----        |  |                        |
|     |   |                | 1 PLACE   | ±--- | ±---   | MATERIAL NO.<br>SEE P/N CHART |                     | DOCUMENT NO.<br>SD-120108-092                                    |                        |
|     |   |                | ANGULAR ±---°   |      | DRAFT WHERE APPLICABLE MUST REMAIN WITHIN DIMENSIONS |                               | SHEET NO.<br>1 OF 1 |  |                        |
|     |   |                | THIS DRAWING CONTAINS INFORMATION THAT IS PROPRIETARY TO MOLEX INCORPORATED AND SHOULD NOT BE USED WITHOUT WRITTEN PERMISSION |      |  |                               |                     |  |                        |