

- 1
- 2
- 3
- 4
- 5
- 6
- 7
- 8
- 9
- 10
- 11
- 12
- 13
- 14
- 15
- 16
- 17
- 18

MATERIAL

Aluminium, epoxy resin coating, glossy finish.

COLOUR

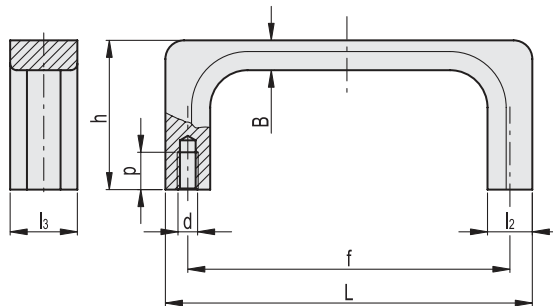
RAL 9002 white.

STANDARD EXECUTION

Threaded blind holes.

FEATURES AND APPLICATIONS

This handle, of white colour, is particularly suitable for applications on medical and hospital equipment and on food processing machines whose parts, for hygienic reasons, must be frequently cleaned. Its solid shape without cavities prevents unhealthy residues from depositing. Its glossy surface allows a perfect cleaning.



Conversion Table			
1 mm = 0.039 inch			
f		L	
mm	inch	mm	inch
120	4.72	132	5.20

Lift & Pull handles

METRIC

Code	f	d	p	L	B	h	l2	l3	⚖️
RHMG-02.120.9002	120	M6	12	132	8	40	12	18	83