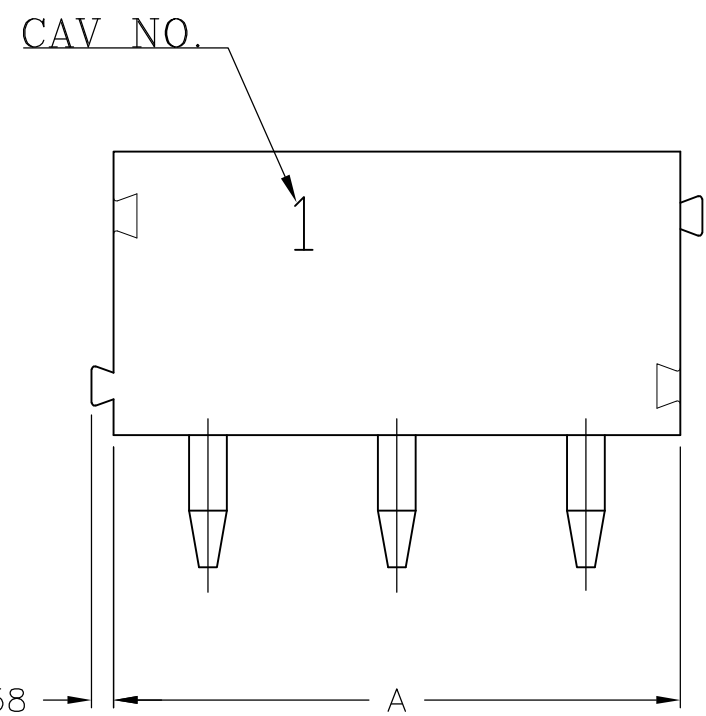
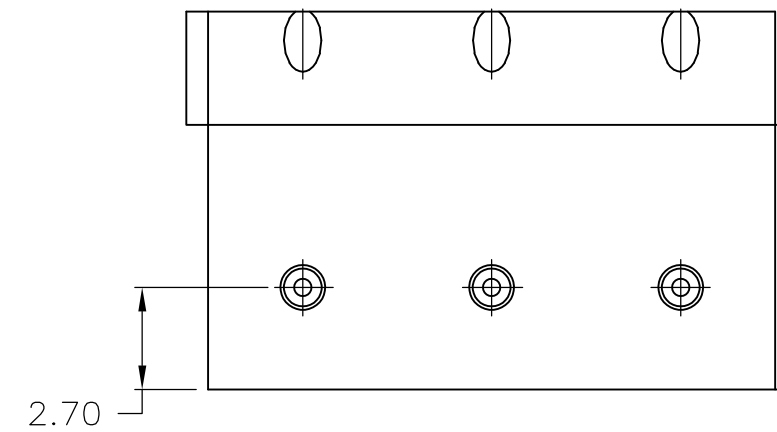
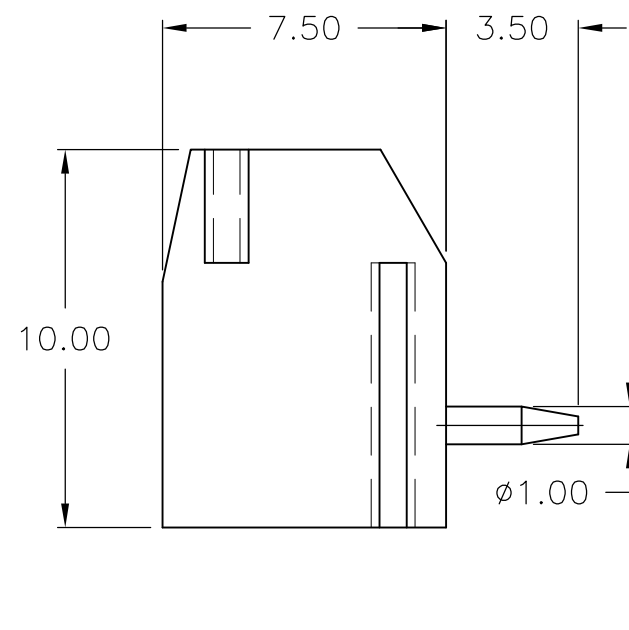
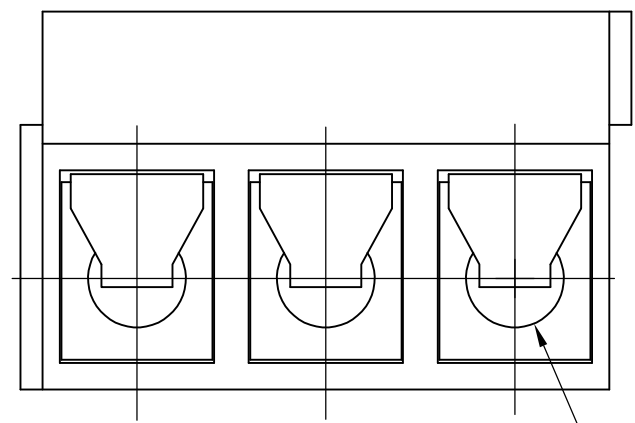
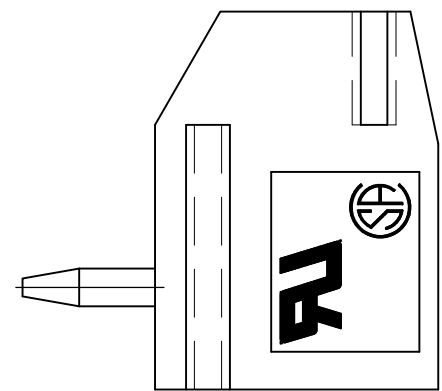
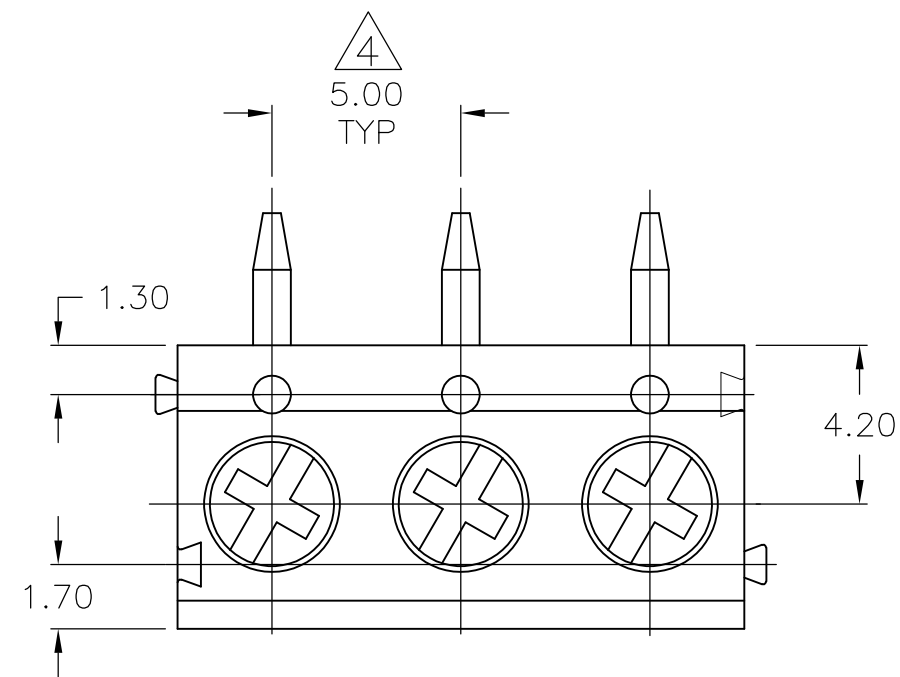


THIS DRAWING IS UNPUBLISHED. RELEASED FOR PUBLICATION
 © COPYRIGHT - By - ALL RIGHTS RESERVED.

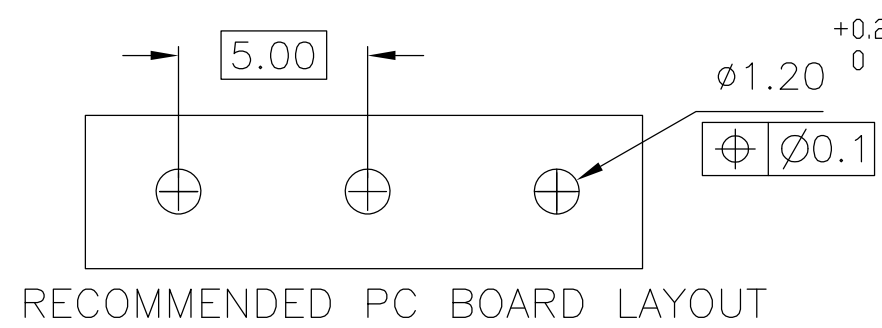
REVISIONS					
P	LTR	DESCRIPTION	DATE	DWN	APVD
A		PCB LAYOUT ADDED HIGH TEMP PHRASE REMOVED	09AUG16	FP	NG

1. ALL DIMENSIONS ARE IN mm.
2. RECOMMENDED PCB HOLES DIAMETER: $\phi 1.20\text{mm}$ TO $\phi 1.40$.
3. BUCHANAN LOGO TO APPEAR ON HOUSING LOCATION OPTIONAL WHERE SPACE PERMITS.

- $\triangle 4$ NON CUMULATIVE
- $\triangle 5$ OBSOLETE



1776267-3 AS SHOWN



$\triangle 5$	120.00	24	2-1776267-4
$\triangle 5$	115.00	23	2-1776267-3
$\triangle 5$	110.00	22	2-1776267-2
$\triangle 5$	105.00	21	2-1776267-1
$\triangle 5$	100.00	20	2-1776267-0
$\triangle 5$	95.00	19	1-1776267-9
$\triangle 5$	90.00	18	1-1776267-8
$\triangle 5$	85.00	17	1-1776267-7
$\triangle 5$	80.00	16	1-1776267-6
$\triangle 5$	75.00	15	1-1776267-5
$\triangle 5$	70.00	14	1-1776267-4
$\triangle 5$	65.00	13	1-1776267-3
$\triangle 5$	60.00	12	1-1776267-2
$\triangle 5$	55.00	11	1-1776267-1
$\triangle 5$	50.00	10	1-1776267-0
$\triangle 5$	45.00	9	1776267-9
$\triangle 5$	40.00	8	1776267-8
$\triangle 5$	35.00	7	1776267-7
$\triangle 5$	30.00	6	1776267-6
$\triangle 5$	25.00	5	1776267-5
$\triangle 5$	20.00	4	1776267-4
$\triangle 5$	15.00	3	1776267-3
$\triangle 5$	10.00	2	1776267-2
	DIM. A	NO. OF POS.	PART NUMBER

THIS DRAWING IS A CONTROLLED DOCUMENT.		DWN	S SCHLEGEL	5/6/05	TE Connectivity		
DIMENSIONS: mm		CHK	C RICHARD	5/6/05			
TOLERANCES UNLESS OTHERWISE SPECIFIED:		APVD	C RICHARD	5/6/05	NAME		
0 PLC	$\pm -$	PRODUCT SPEC		TERMINAL BLOCK PCB MOUNT, TOP WIRE ENTRY, LOW PROFILE W/ INTERLOCK, 5.0mm PITCH			
1 PLC	± 0.3	APPLICATION SPEC		SIZE	CAGE CODE	DRAWING NO	RESTRICTED TO
2 PLC	± 0.25	MATERIAL		A2	00779	C=1776267	-
3 PLC	$\pm -$	FINISH		WEIGHT	0	SCALE 4:1 SHEET 1 OF 2 REV A	
4 PLC	$\pm -$	CUSTOMER DRAWING					
ANGLES	$\pm -$						

THIS DRAWING IS UNPUBLISHED. RELEASED FOR PUBLICATION
 © COPYRIGHT - By - ALL RIGHTS RESERVED.

REVISIONS				
P	LTR	DESCRIPTION	DATE	APVD
-	-	SEE SHEET 1	-	-

1. Application and Features:

- 1-1. Standard sizes are 2 and 3 way-blocks, but every number of contact can be combined, by simply plugging them together and can be ordered as required**
- 1-2. With wire guard for wire protection (for that the screw doesn't press directly on the wire)

2-3. Mechanical:

- 2-3-1. Torque: 4 Kg.cm (Max).
- 2-3-2. Operating temperature: -55°C to +105°C.
- 2-3-3. Solderability: 95% coverage (min).

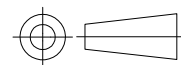
2. Technical Data:

2-1. Material:

- 2-1-1. HOUSING: PA 6.6, UL 94 V-0 (Green).
- 2-1-2. Metal Housing: Brass(Cu Zn)
Cu,Tin plated.
- 2-1-3. Wire guard: Stainless steel.
- 2-1-4. Screw: Steel galvanized and chromitized, M2.6

2-2. Electrical:

- 2-2-1. Current rating: 10 Amps/way max.
- 2-2-2. Contact resistance: 20mΩ (Max).
- 2-2-3. Insulation resistance: 5000MΩ /1000V.
- 2-2-4. Withstanding Voltage: 1500VAC (1min).
test time =60sec/1pcs
- 2-2-5. Operation Voltage: 300 VAC.
- 2-2-6. Wire Range: 14-22 AWG.

THIS DRAWING IS A CONTROLLED DOCUMENT.		DWN S SCHLEGEL	5/6/05	STE TE Connectivity	
DIMENSIONS: mm		CHK C RICHARD	5/6/05		
TOLERANCES UNLESS OTHERWISE SPECIFIED:		APVD C RICHARD	5/6/05	NAME TERMINAL BLOCK PCB MOUNT, TOP WIRE ENTRY, LOW PROFILE W/ INTERLOCK, 5.0mm PITCH	
		PRODUCT SPEC		SIZE A2	
0 PLC ± - 1 PLC ± 0.3 2 PLC ± 0.25 3 PLC ± - 4 PLC ± - ANGLES ± -		APPLICATION SPEC		CAGE CODE 00779	DRAWING NO C-1776267
MATERIAL		WEIGHT	-	RESTRICTED TO	-
FINISH		CUSTOMER DRAWING		SCALE	4:1
		SHEET		2 OF 2	REV A