

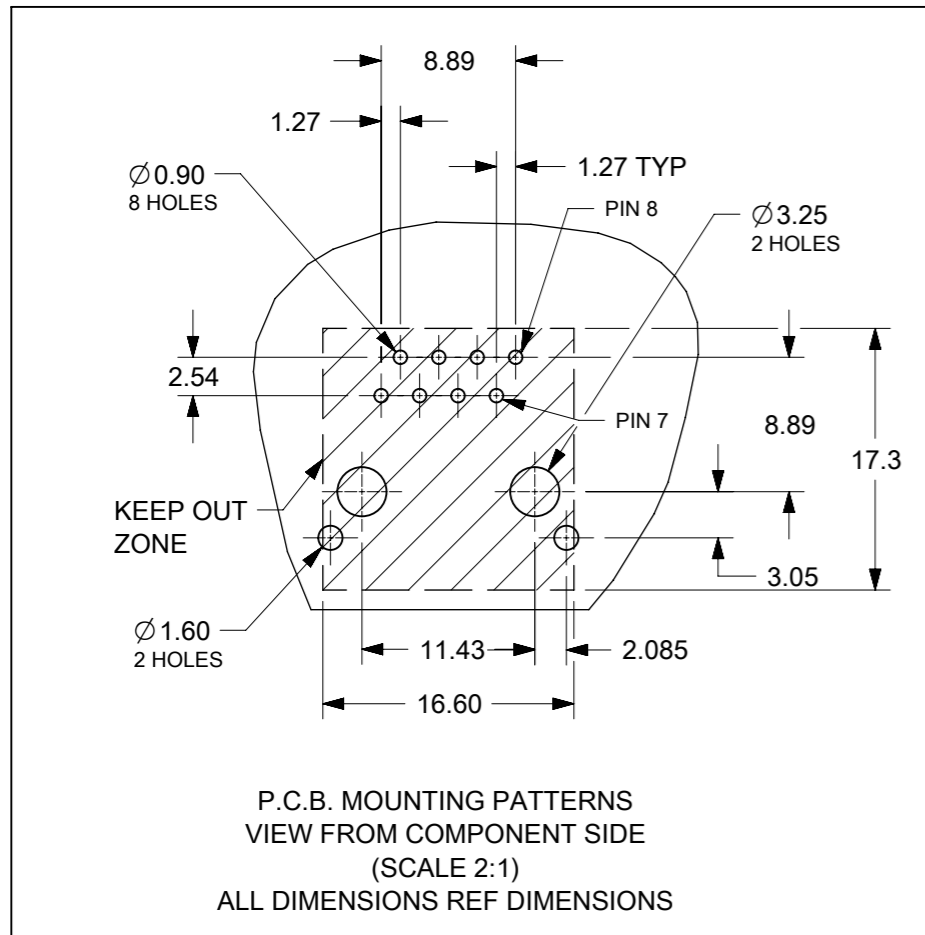
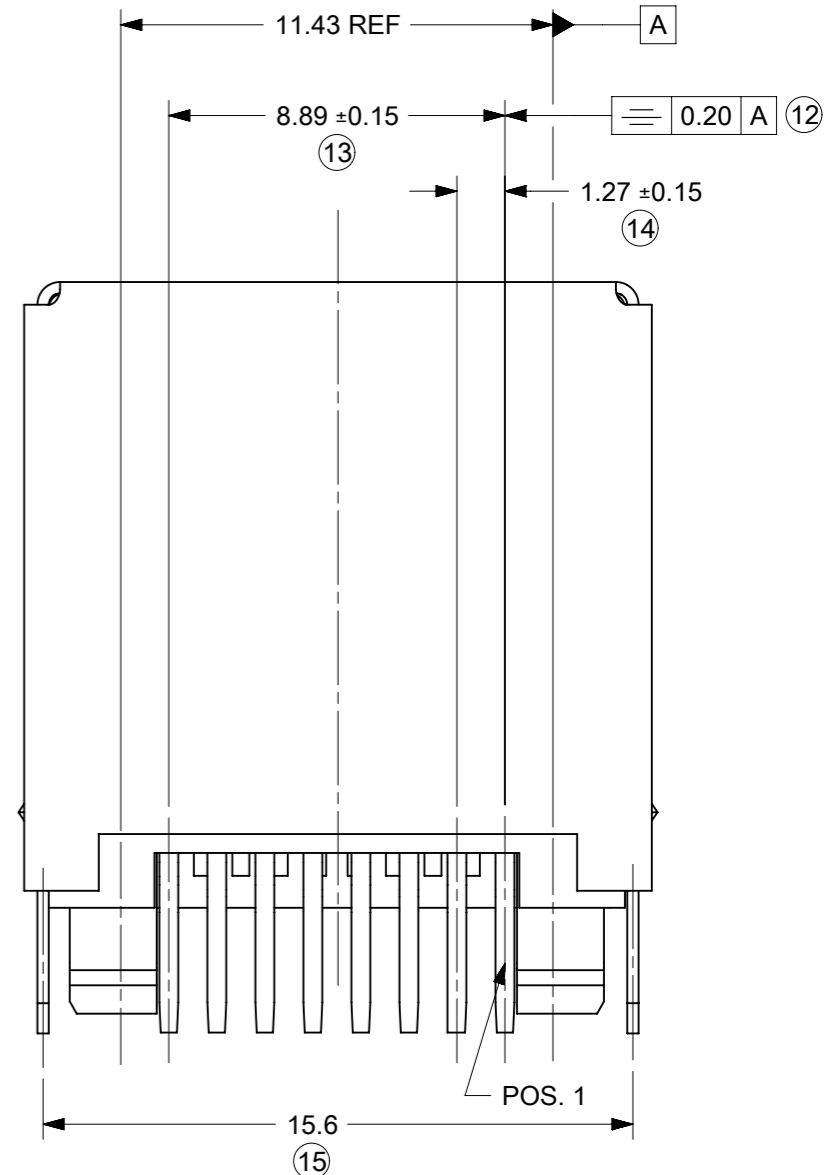
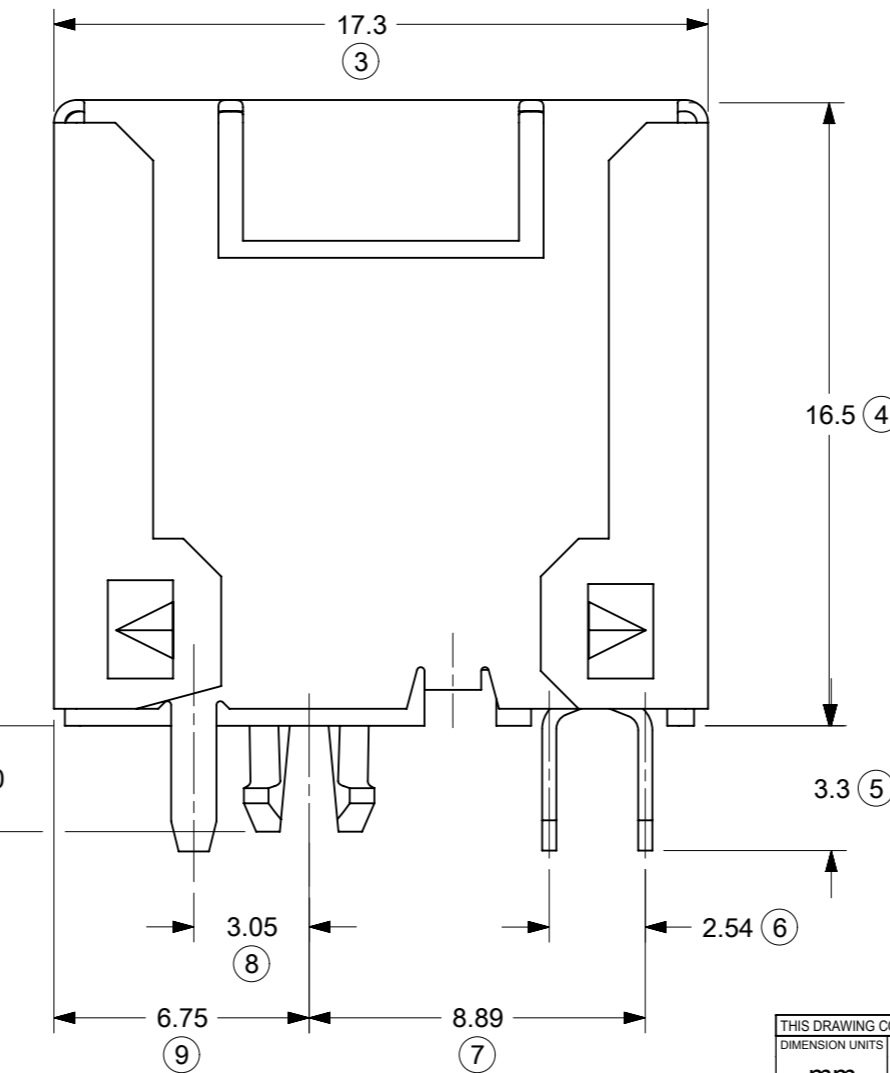
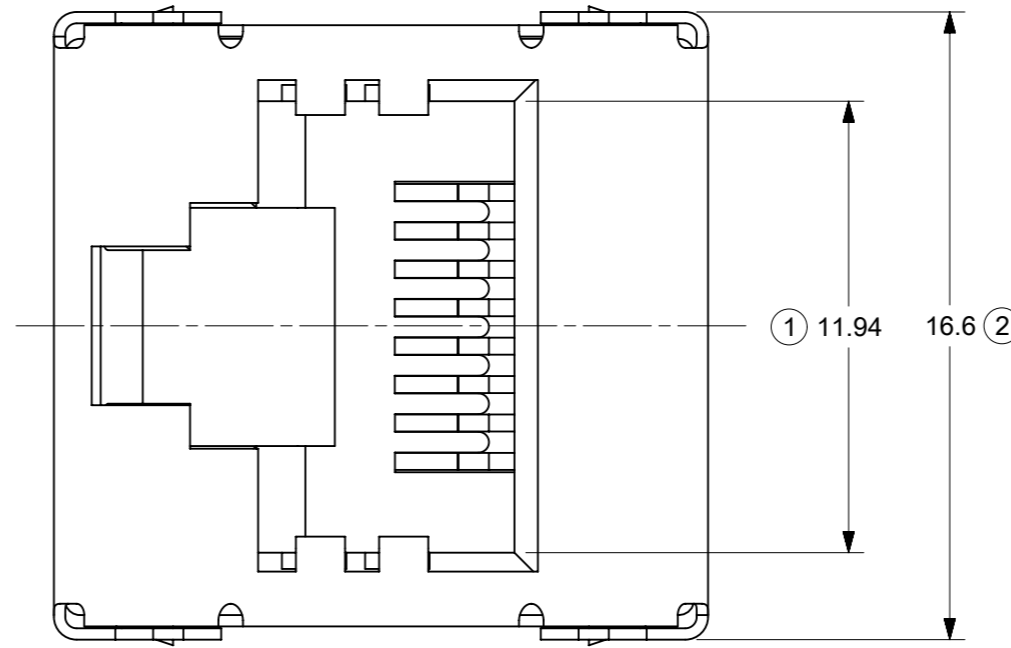
TECHNICAL SPECIFICATIONS:

1. MATERIAL:
HOUSING: LCP GLASS FILLED UL 94-V0 COLOR: BLACK

TERMINAL: COPPER ALLOY PLATED WITH
BASE FINISH: NICKEL
CONTACT SURFACE FINISH:
GOLD,
OR
GOLD FLASH OVER PALLADIUM NICKEL.
EXCEEDS PRODUCT REQUIREMENTS BASED ON PS-95623-001

SHIELD: COPPER ALLOY PLATED WITH TIN.

PART NUMBER	TOOLED	PCB THICKNESS
95623-2881	YES	1.57



- NOTES:**
- JACK FOR MATING WITH IEC 60603-7 AND TIA-1096-A PLUGS 95043 MOLEX SERIES.
 - PRODUCT SPECIFICATION: MOLEX PS-95623-001.
 - PACKAGING SPECIFICATION: MOLEX PK-95123.
 - BOARD THICKNESS (SEE CHART)

LAST INSPECTION NO.: 15
REMOVED INSPECTION NO: 11

THIS DRAWING CONTAINS INFORMATION THAT IS PROPRIETARY TO MOLEX ELECTRONIC TECHNOLOGIES, LLC AND SHOULD NOT BE USED WITHOUT WRITTEN PERMISSION									
DIMENSION UNITS		SCALE		CURRENT REV DESC: REMASTERED USING 3D MODELS					
mm		5:1		<p>molex</p> <p>FULLY SHIELDED TOP ENTRY MODULAR JACK 8 CKTS (THROUGH HOLE VERSION)</p> <p>PRODUCT CUSTOMER DRAWING</p> <p>EC NO: 686854 DRWN: CRAODOREMS 2018/02/09 CHK'D: KLANG 2022/01/13 APPR: KLANG 2022/01/13</p> <p>INITIAL REVISION: DRWN: DBYRNES 2006/11/14 APPR: EOMAHONY 2006/11/15</p>					
GENERAL TOLERANCES (UNLESS SPECIFIED)									
ANGULAR TOL ± 0.5°									
4 PLACES ±									
3 PLACES ±									
2 PLACES ± 0.25				DOCUMENT NUMBER		DOC TYPE		DOC PART	
1 PLACE ± 0.35				SD-95623-001		PSD		001	
0 PLACES ±				REVISION		F1			
DRAFT WHERE APPLICABLE MUST REMAIN WITHIN DIMENSIONS		THIRD ANGLE PROJECTION		DRAWING		SERIES		MATERIAL NUMBER	
		A3-SIZE		95623		SEE CHART		GENERAL MARKET	
								SHEET NUMBER	
								1 OF 1	