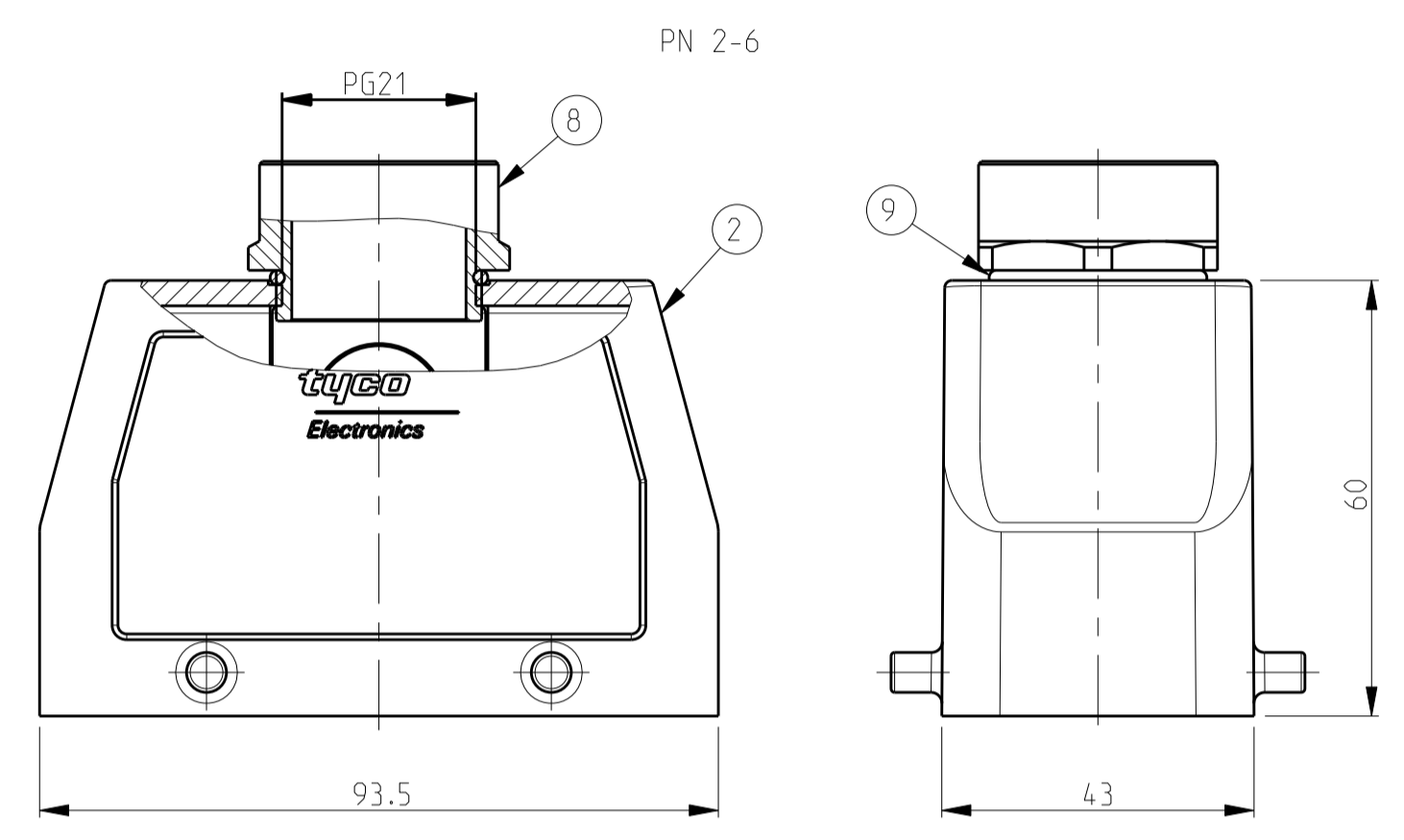
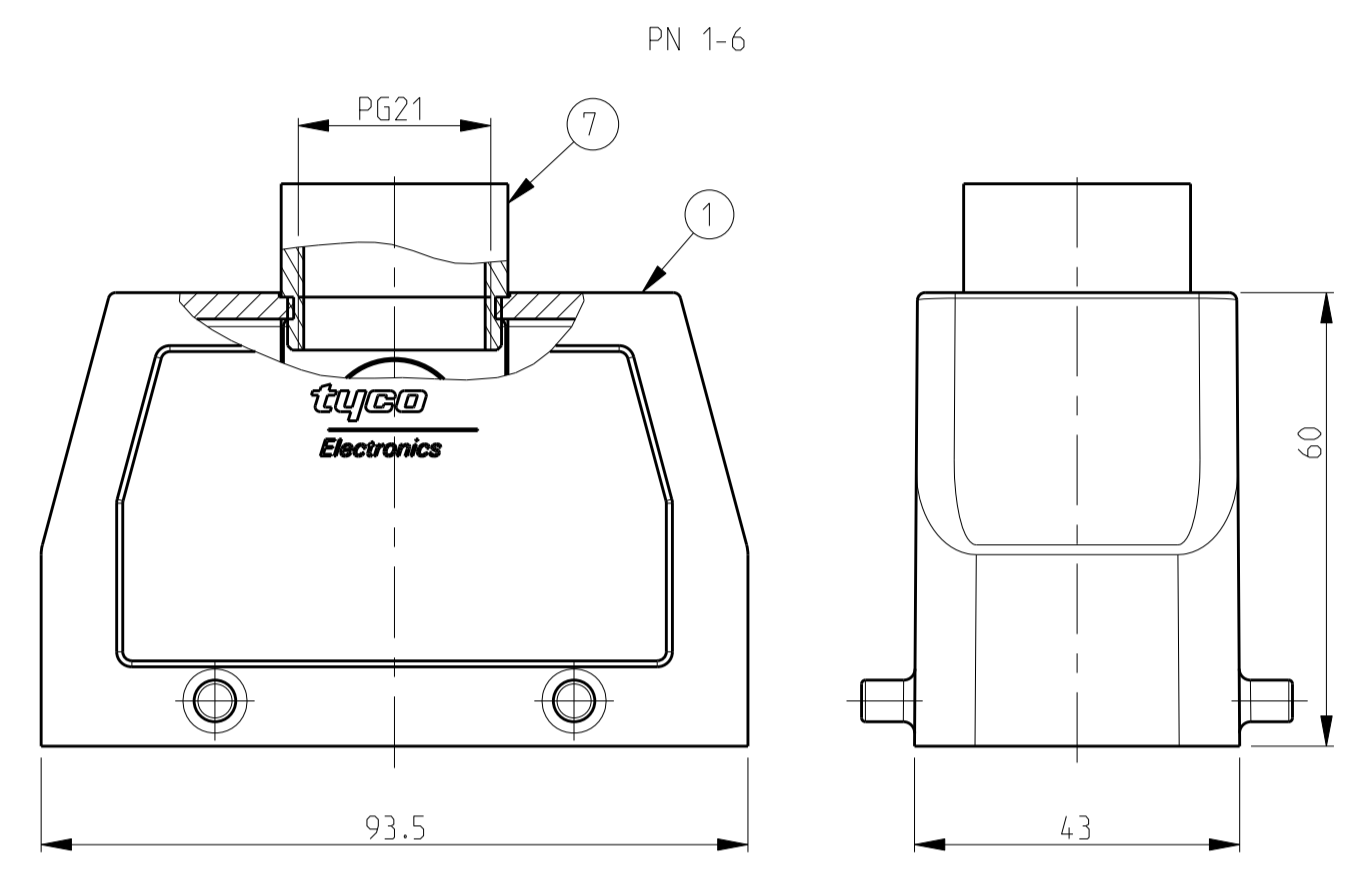
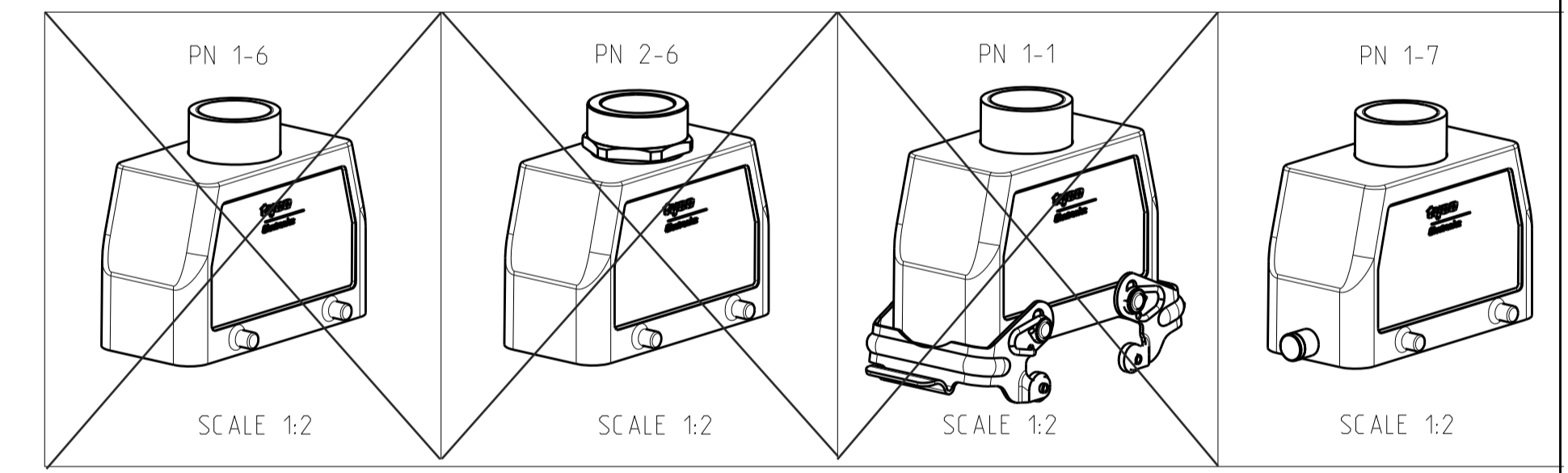
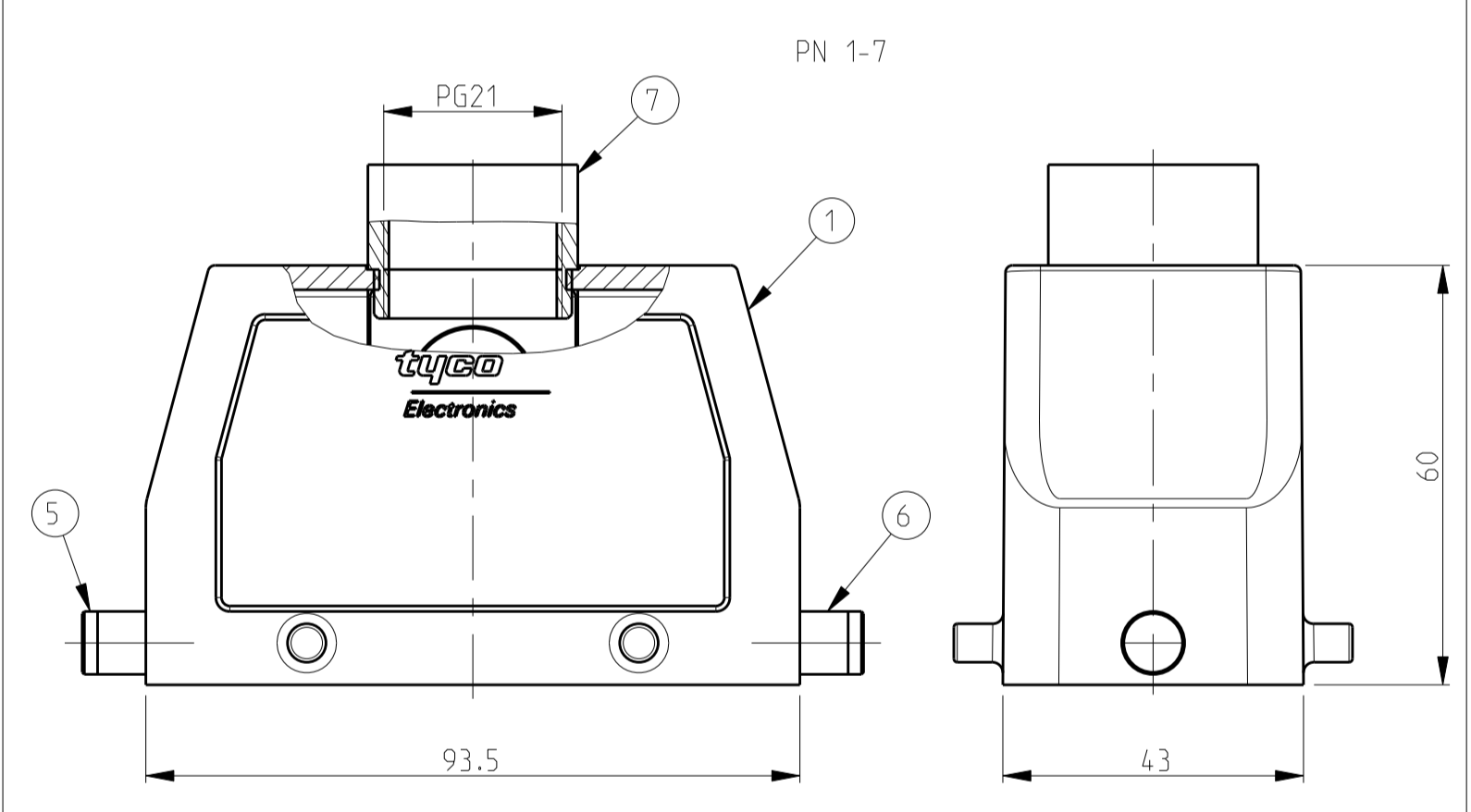
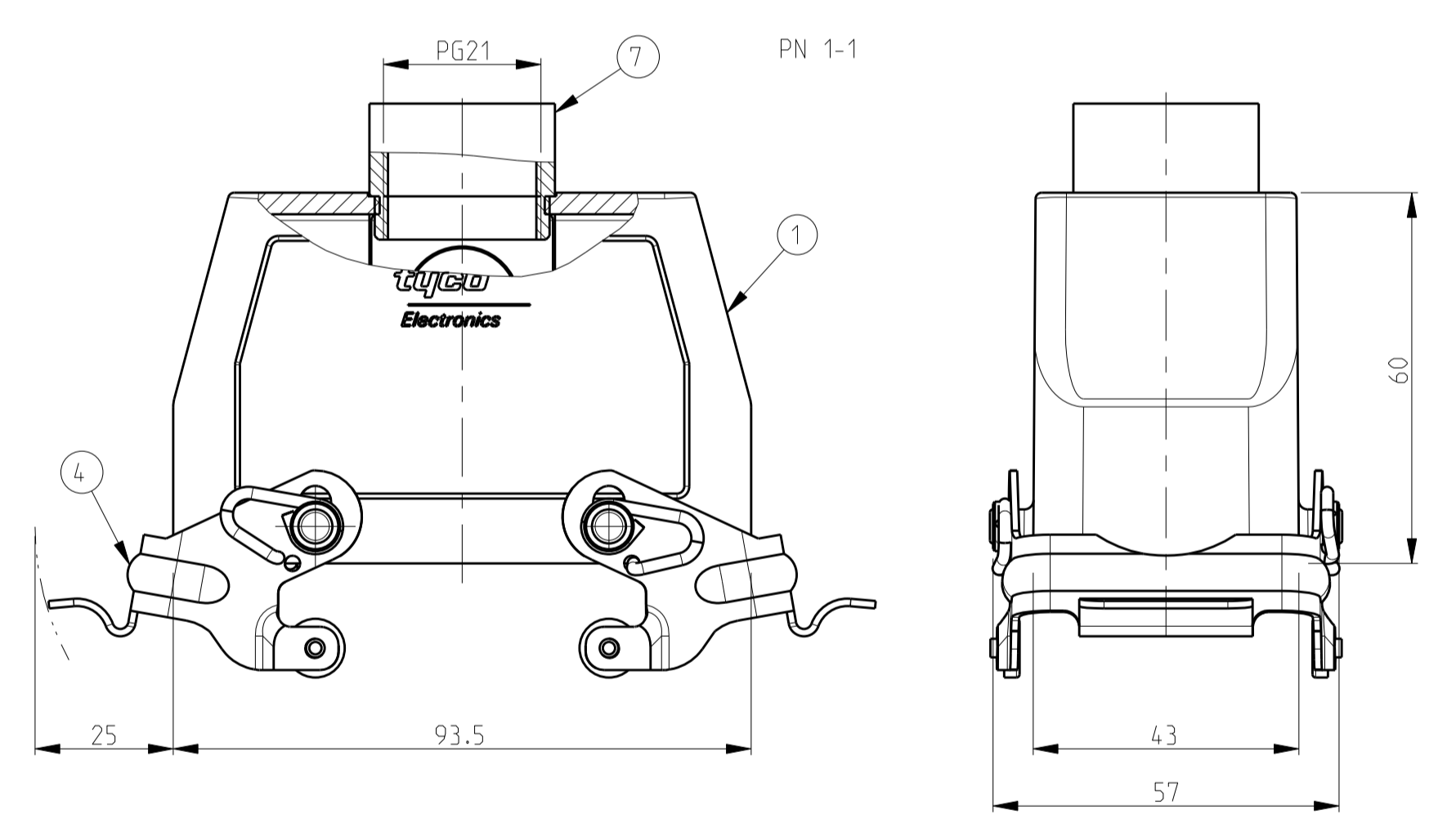


REVISONS		DATE	DWN	APVD
A3	Released as per ECR-08-011916	12.May.2008	SP	TS
A4	ECR-17-014033	13MAR2018	SG	MKO



- NOTES
- Material: Housing: aluminium diecasting alloy
 - Surface:- Varnish grey
Aluminium oxide+Varnish Black
 - Varnish on the inside not necessary
 - Packaging
Packaging quantity 5 piece in a box



QTY	DESCRIPTION	MATERIAL	SURFACE	COLOR	ITEM NO	NOTES
	O-Ring Pg21	Brass		Black	9	
	6-Kt-Adapter Pg21	Brass	Nickel Plated		8	
1	Adapter Pg21	Brass	Nickel Plated		7	
2	LB-Slide Spool	Steel	Zinc Plated	Blue	6	
2	LB-Clip bolt	Steel	Zinc Plated	Blue	5	
	VS-Locking Clip	Steel	Zinc Plated	Blue	4	
	VS-CLIP BOLT	Stainless Steel			3	
	Hood HB16	Aluminium	Aluminium Oxide	Black	2	
1	Hood HB16	Aluminium		Grey	1	
1-7	DESCRIPTION	MATERIAL	SURFACE	COLOR	ITEM NO	NOTES
ORDERING TEXT						
HB.16.STO.1.21.Z						
HB-K.16.STO.1.21.Z						
HB.16.STO-VS.1.21.Z						
HB.16.STO-GR.1.21.Z						

DIMENSIONS: mm		TOLERANCES UNLESS OTHERWISE SPECIFIED:		DWN: 05.06.02		Schneider		TE Connectivity
MATERIAL		FINISH		GMA: 05.06.02		Schweiger		
PRODUCT SPEC 108-74001		APPLICATION SPEC 114-74001		NAME		Hood		HB.16.1.21.Z
CAGE CODE 00779		DRAWING NO C=1102294		RESTRICTED TO		SCALE 1:1 SHEET 1 OF 1 REV A4		