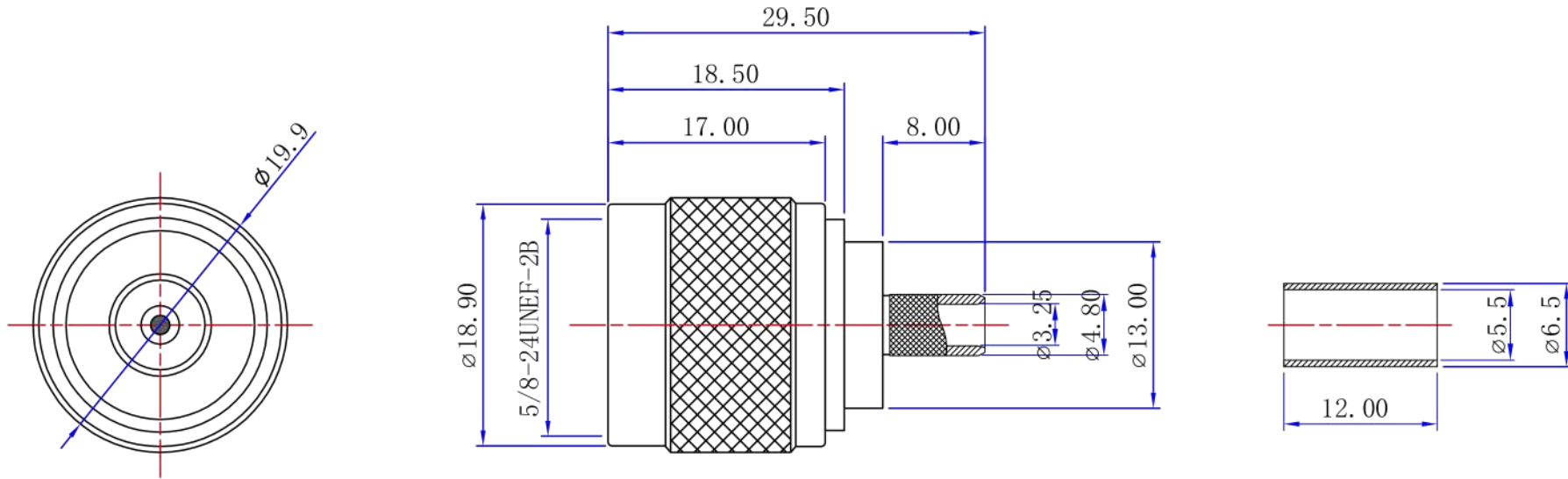




Product NO. BC-201-195

REV	DESCRIPTION	DWN	DATE	APPROVEN
R1.0	First issue	Gavin	2021/03/09	JIM. KING



Specifications

Impedance: 50 Ohms
 Frequency Range: 0-6G
 VSWR: 1.5MAX
 Working Voltage: 1000 VRMS(max at sea level)
 Dielectric Withstanding Voltage: 1500 vrms(max at sea level)
 Insulation Resistance: 5000 MOhms min
 Durability Mating: 500 Cycles min
 Temperature Range: -65°C TO +165°C

No	Connector color
BC-201-195-RD	Body electrophoresis: Red
BC-201-195-BL	Body electrophoresis: Blue
BC-201-195-BK	Body electrophoresis: Black

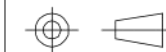
-TOLERANCES-
UNLESS OTHERWISE
SPECIFIED



BIG CAT CABLES

UNLESS OTHERWISE SPECIFIED
TOLERANCES FOR MILLIMETERS ARE:
 0.5 - 8mm \pm 0.20mm
 8 - 30mm \pm 0.25mm
 30 - 120mm \pm 0.30mm

PART DESCRIPTION:
Male N CRIMP PLUG FOR LMR195 CABLE



Appd: JIM. KING	P/N: BC-201-195				
Check:	Date	Scale	Unit	Type	Page
Draw: Gavin	2021.03.09	Free	MM	Z	1/1

NO	DESCRIPTION	MATERIAL	FINISH	QTY
4	FERRULE	BRASS	NICKEL	1
3	PIN	BRASS	GOLD	1
2	INSUKATON	PTFE	NONE	1
1	BODY	BRASS	Electrophoresis	1

1

2

3

4

5

6