

**MATERIALS**

**HOUSING:**

ALUMINUM 6061-T6, NICKEL PLATE PER SAE-AMS-2404

**INSULATOR:**

LIQUID CRYSTAL POLYMER (LCP) PER ASTM D5138

**CONTACT:**

COPPER ALLOY PER MIL-DTL-83513, GOLD PLATED PER ASTM B488, (HARD GOLD) TYPE II CODE C CLASS 1.27

**WIRE:**

NEMA HP3 TYPE E, COLOR CODED IAW MIL-STD-681, SYSTEM 1, USING TEN SOLID REPEATING COLORS

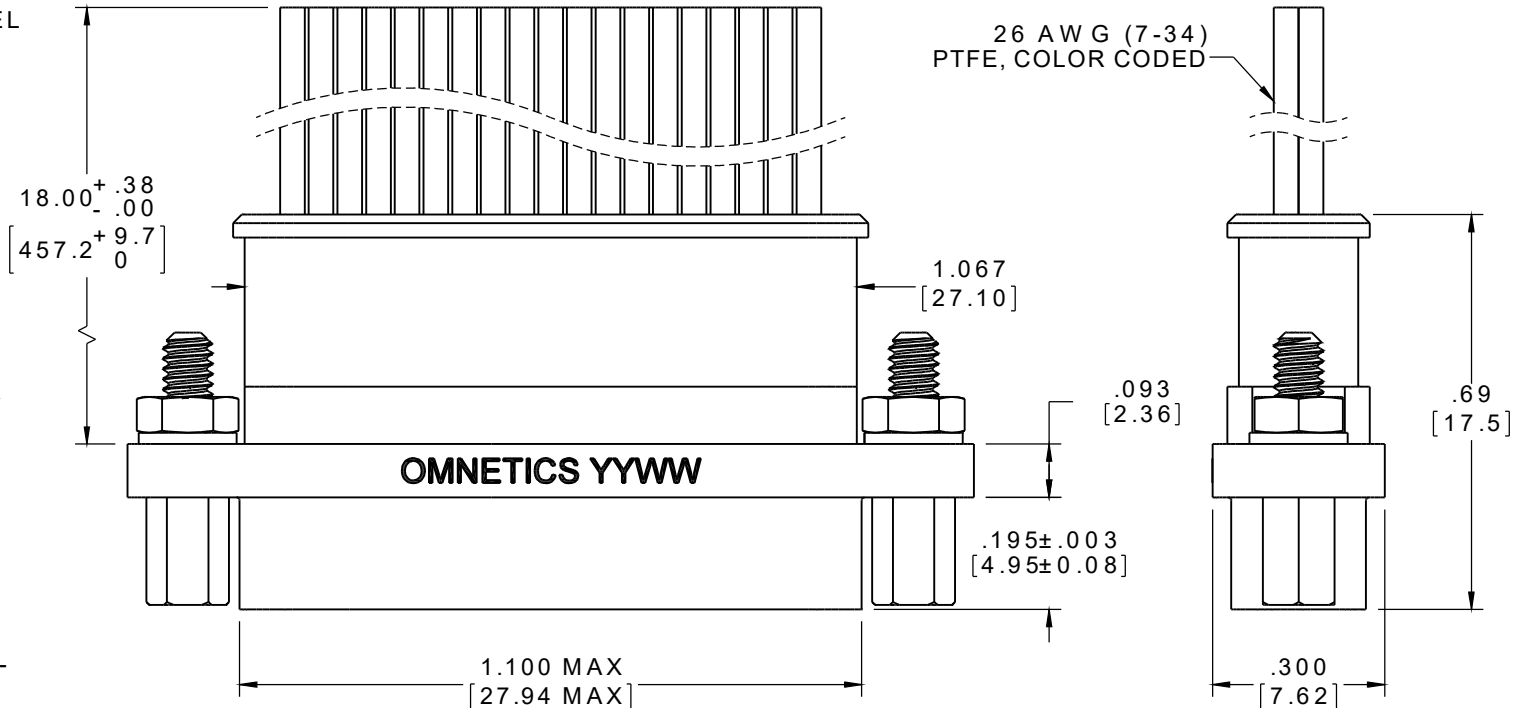
**INTERFACIAL SEAL:**

SILICONE RUBBER PER A-A-59588

**HARDWARE:**

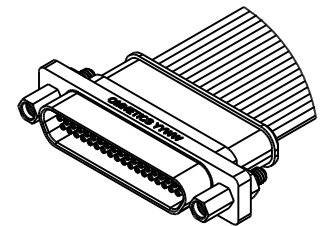
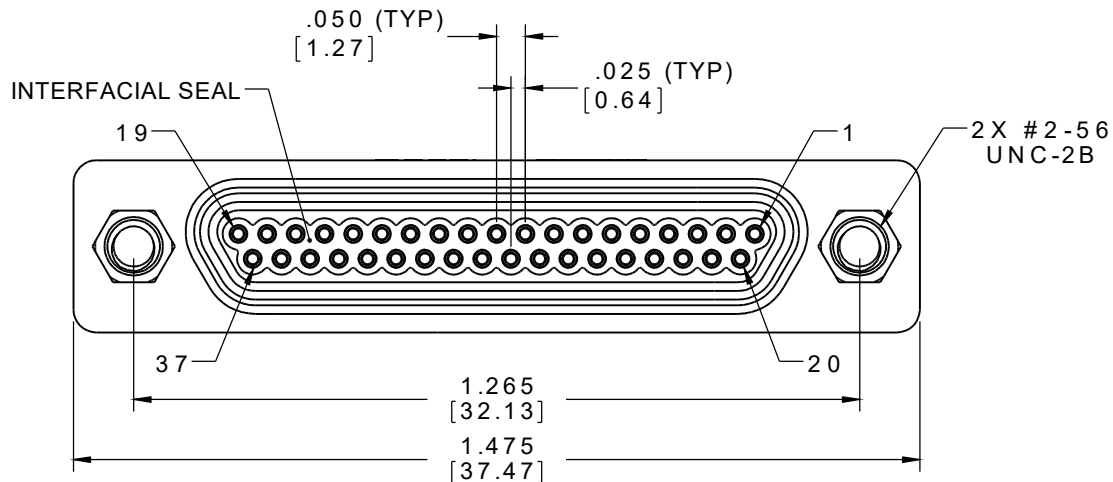
STAINLESS STEEL, PASSIVATED PER SAE-AMS-2700

PART NO.	A99279-037	REV	ECO	DATE	APP
		A	102791	08-09-16	HV



SOCKET #	COLOR
1, 11, 21, 31	BLACK
2, 12, 22, 32	BROWN
3, 13, 23, 33	RED
4, 14, 24, 34	ORANGE
5, 15, 25, 35	YELLOW
6, 16, 26, 36	GREEN
7, 17, 27, 37	BLUE
8, 18, 28	VIOLET
9, 19, 29	GRAY
10, 20, 30	WHITE

**INTERNAL USE ONLY**  
USE MFG LOADING  
PROCEDURE MMDS-037



ACTUAL SIZE EXCLUDING WIRE LENGTH

**RoHS**

**NOTE:**

DIMENSIONS IN [ ] ARE IN MILLIMETERS UNLESS OTHERWISE NOTED AND ARE FOR REFERENCE ONLY

MMDS SLDW	THIRD ANGLE	THIS DRAWING CONTAINS CONFIDENTIAL AND PROPRIETARY INFORMATION WHICH IS THE PROPERTY OF OMNETICS CONNECTOR CORP. THIS DOCUMENT MAY NOT, IN WHOLE OR IN PART, BE DUPLICATED, OR DISCLOSED FOR ANY PURPOSE, WITHOUT WRITTEN PERMISSION FROM OMNETICS CONNECTOR CORP.		<b>OMNETICS</b>	CAGE CODE 61873	
	-TOLERANCES- UNLESS OTHERWISE NOTED	DFTM. HV	DATE 05-31-16		CONNECTOR CORPORATION	DWG NO. A99279-037
	DIMENSIONS IN INCHES	CHK'D.	DATE	7260 COMMERCE CIRCLE EAST	SHEET 1 OF 1	
	2 PL DEC ± .01 3 PL DEC ± .005 4 PL DEC ± .0005 ANGLES ± 1°	APP'D.	DATE	MINNEAPOLIS, MN 55432 WWW.OMNETICS.COM	REV	A

TITLE:  
(37) SOCKET FEMALE  
MICRO-D CONNECTOR  
W/ JACKPOSTS

SCALE: 3:1