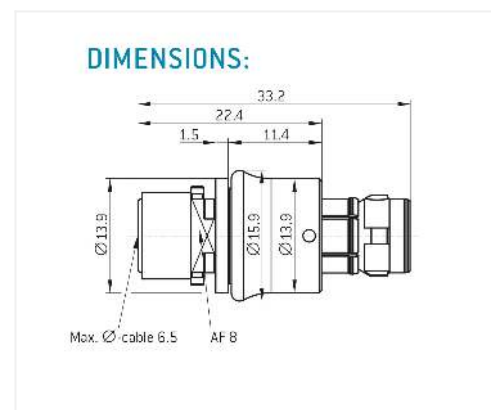
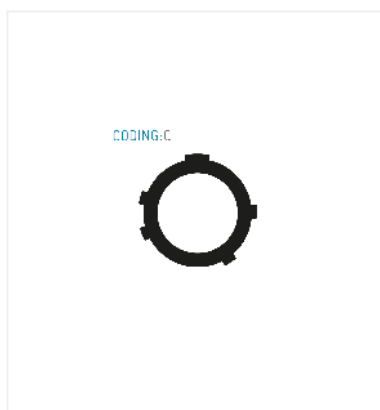


General information

Part number	S11YCR-P04XJG0-0000
Termination	solder
Size	1
Locking principle	push
Coding	c_key_amc
Cable Diameter	cable_amc_1
Cable outlet	overmolding



Contact insert description

Number of contacts	4
Contact type	pins
Contact diameter	09mm
Insulator material	peek
Wire cross section	22_awg
Termination	solder
Termination diameter	085mm
Data transmission	ethernet_100

reverse_gender_on_request

Technical information

Nominal current single contact	10_a	iec_60512_5_2
Nominal current insert	10 A	vde_0298_4
Test voltage	15_kv_ac	eia_364_20f

safety_text

Mechanical and environmental data

Degree of protection*	ip6k9k
Operating temperature	51_125_c
Mating cycles	5000

mated

Material and surface treatments

Housing	ruthenium
Contact	cu_alloy_gold

data_text

safety_text_2

data_text

ul_text

illustrative_text