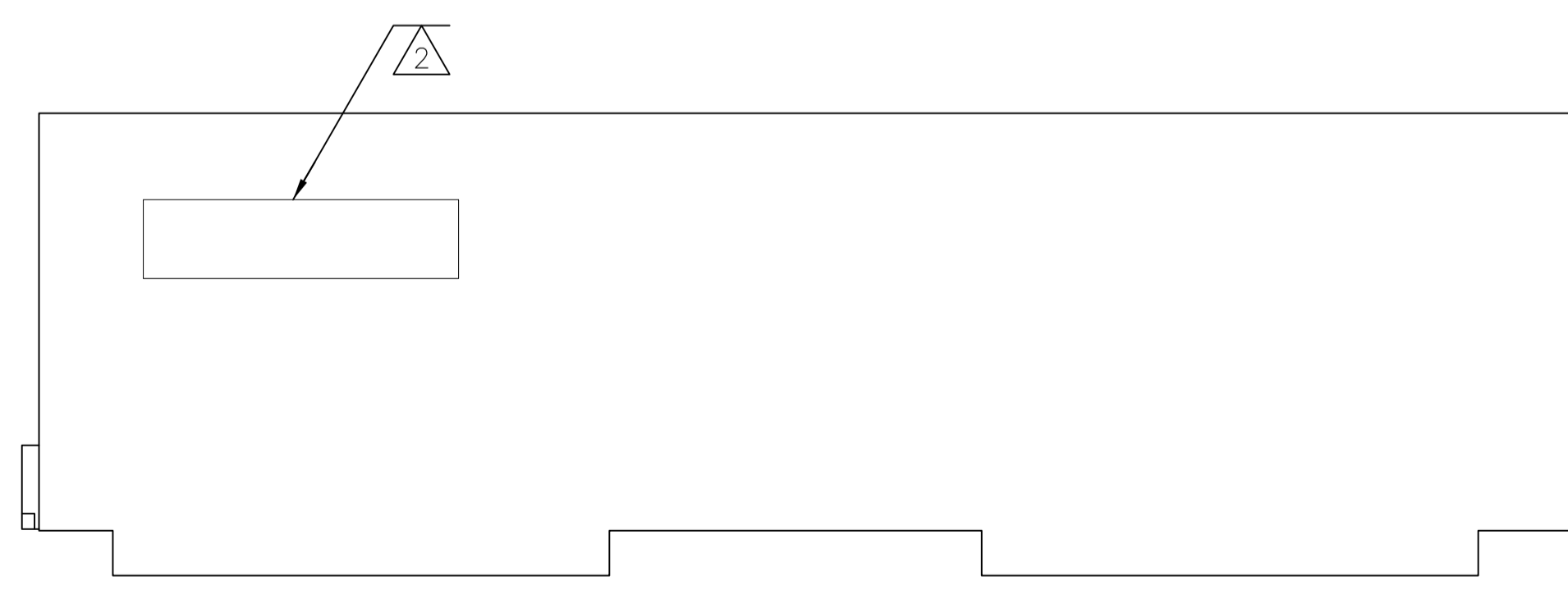
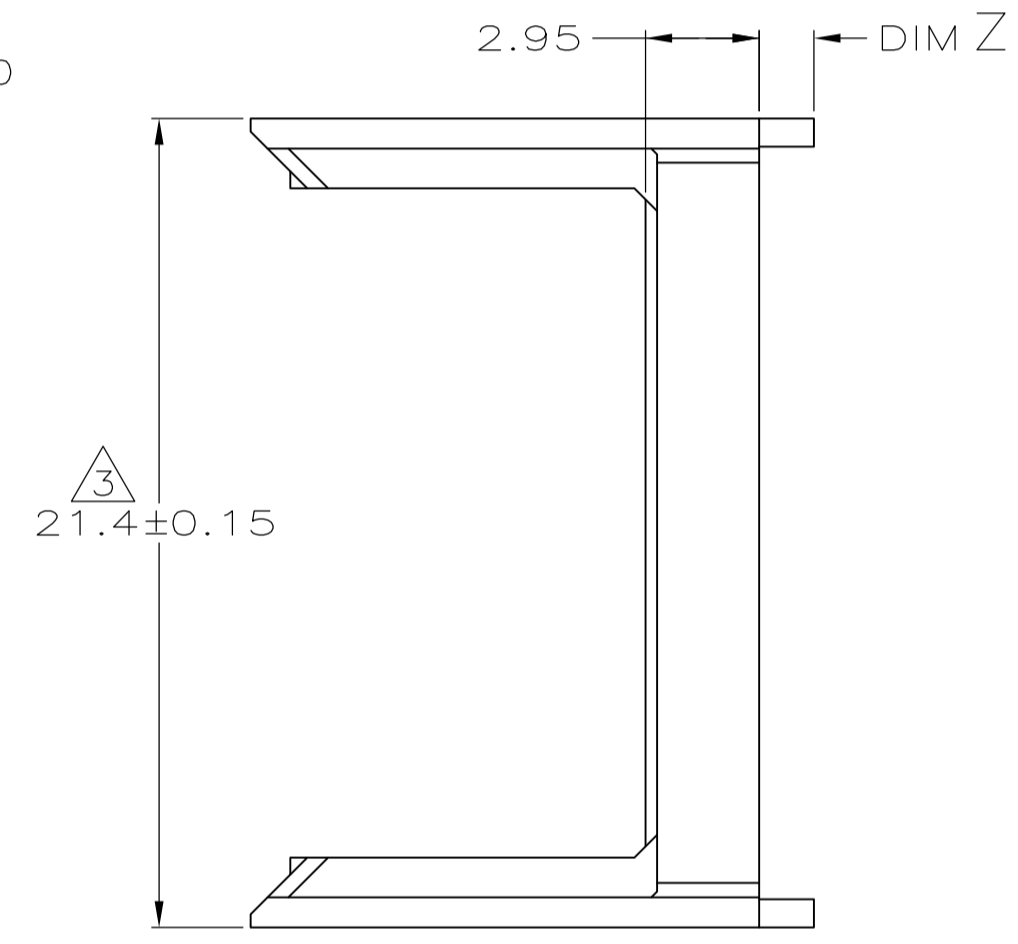
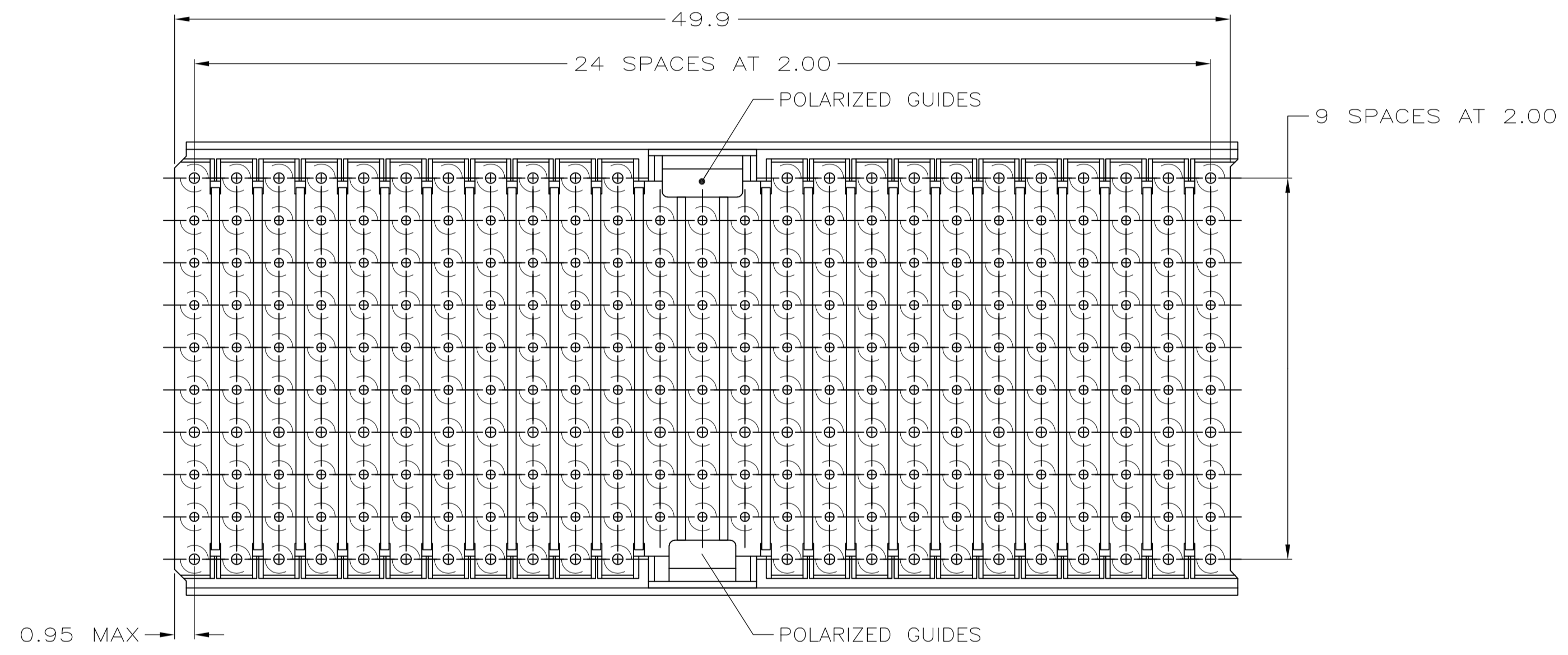
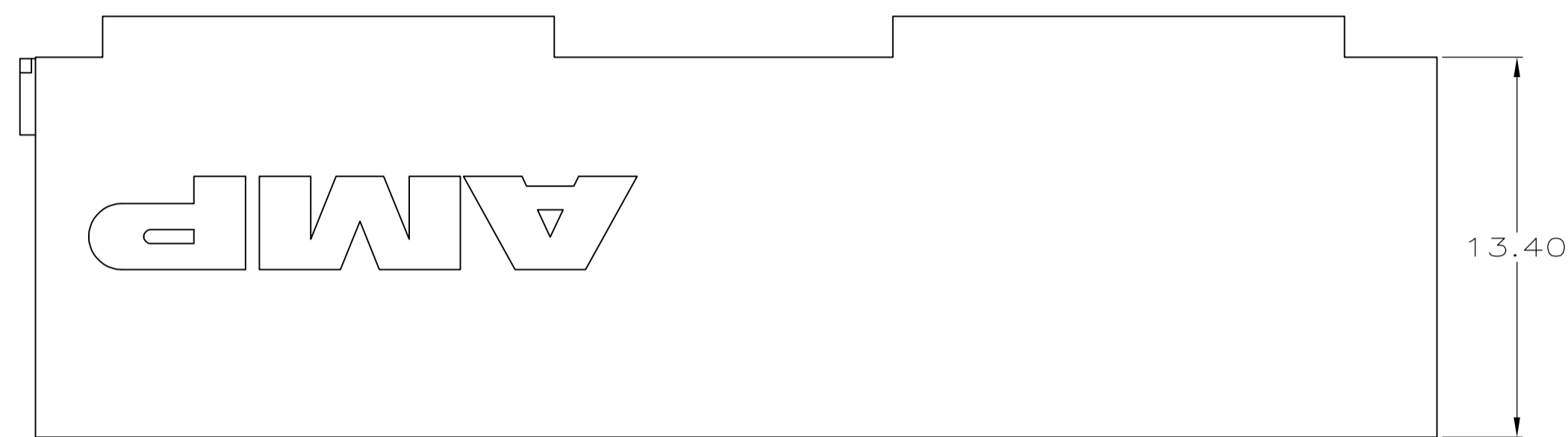


LOC		DIST		REVISIONS			
P	LTR	DESCRIPTION	DATE	DWN	APVD		
C		REVISED PER ECO-07-027626	28NOV07	DH	JE		
C1		REVISED PER ECO-10-000443	21JAN10	KK	HMR		
D		ECR-10-019054	15SEP10	DP	MQW		

- △ MATERIAL: GLASS FILLED POLYESTER.
- △ PART NUMBER MARKED IN APPROXIMATE AREA SHOWN.
- △ TO BE MEASURED AT BASE OF SHROUD.
- △ OBSOLETE PARTS: OBSOLETE CIS STREAMLINING PER D.RENAUD/D.SINISI



△ OBSOLETE	△ DIM Z	PART NUMBER
	0.90	646726-7
	1.70	646726-6
	1.50	646726-5
	1.30	646726-4
	1.10	646726-3
	0.90	646726-2
	-	646726-1

THIS DRAWING IS A CONTROLLED DOCUMENT.

DIN	L. BRINER	8/20/00	Tyco Electronics Corporation Harrisburg, PA 17105-3608
CHK	R. PATTERSON	8/20/00	
APP'D	R. PATTERSON	8/20/00	NAME
DIMENSIONS: mm			SHROUD, Z-PACK 2mm HM, TYPE D/E, 10 ROW, 244 POSITION
TOLERANCES UNLESS OTHERWISE SPECIFIED:			SIZE
0-PLC	±		A1
1-PLC	± 0.1		CAGE CODE
2-PLC	± 0.05	± 0.2	00779
3-PLC	±		DRAWING NO
4-PLC	±		646726
ANGLES	±		RESTRICTED TO
MATERIAL	FINISH		SCALE
△ 1	-		5:1
CUSTOMER DRAWING			SHEET
			1 OF 1
			REV
			D