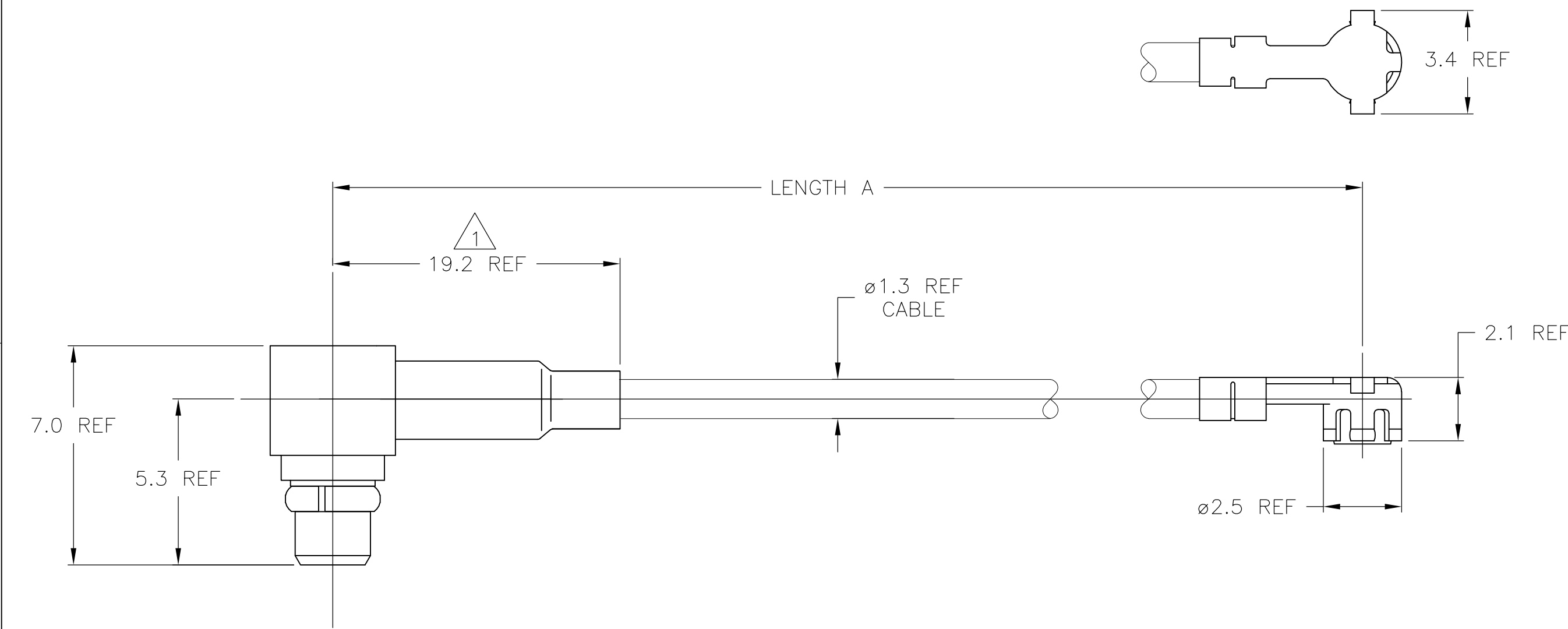


THIS DRAWING IS UNPUBLISHED. RELEASED FOR PUBLICATION  
 © COPYRIGHT BY TYCO ELECTRONICS CORPORATION. ALL RIGHTS RESERVED.

LOC	DIST	REVISIONS					
		P	LTR	DESCRIPTION	DATE	DWN	APVD
AJ	00		B	REVISED PER EC 0514-0098-05	04MAY2006	KS	KW
			B1	REVISED PER ECO-09-024927	07NOV09	KK	AEG



- 1. THIS DIMENSION REPRESENTS THE LENGTH FROM THE CONNECTOR CENTERLINE TO THE CABLE EXIT POINT (NOT SHRINK TUBE)
- 2. ELECTRICAL PERFORMANCE SHOWN FOR SSMT CONNECTOR AND CABLE ONLY. FOR MMCX CONNECTOR REFER TO DESIGN OBJECTIVES 108-2084. FOR CABLE ASSEMBLY DATA CONSULT FACTORY.
- 3. ASSEMBLE MMCX CONNECTOR TO CABLE PER INSTRUCTION SHEET 408-8627
- 4. OBSOLETE PARTS: OBSOLETE CIS STREAMLINING PER D.RENAUD/D.SINISI

4 OBSOLETE	300±5	<del>1408483-3</del>
	200±5	<del>1408483-2</del>
	100±3	1408483-1
	LENGTH A	PART NUMBER

COMPONENT	MATERIAL	FINISH
<b>MMCX CONNECTOR</b>		
HOUSING	BRASS	GOLD PLATE
CENTER CONTACT	BERYLLIUM COPPER	GOLD PLATE
DIELECTRIC	POLYTETRAFLUOROETHYLENE (PTFE)	N/A
RETAINING RING	BERYLLIUM COPPER	GOLD PLATE
FERRULE	COPPER OR BRASS	GOLD PLATE
SHRINK TUBING	HEAT SHRINKING POLYOLEFIN COMPOUND	N/A
<b>SSMT CONNECTOR</b>		
OUTER CONTACT	BERYLLIUM COPPER	GOLD PLATE OVER NICKEL PLATE
CENTER CONTACT	BERYLLIUM COPPER	GOLD PLATE OVER NICKEL PLATE
DIELECTRIC	POLYPROPYLENE, GF	N/A
<b>CABLE</b>		
JACKET	FLUORINATED ETHYLENE PROPYLENE (FEP)	N/A
SHIELD	COPPER WIRE, 44 AWG	SILVER PLATE
DIELECTRIC	PERFLUOROALKOXY (PFA)	N/A
CENTER CONDUCTOR	COPPER CLAD STEEL, 30 AWG	SILVER PLATE
INSULATING DISK	POLYESTER	N/A

ELECTRICAL	MECHANICAL	ENVIRONMENTAL
FREQUENCY NOMINAL IMPEDENCE VOLTAGE RATING  VSWR (MATED CONNECTORS ONLY)  INSULATION RESISTANCE DIELECTRIC WITHSTANDING VOLTAGE	CONNECTOR DURABILITY	TEMPERATURE RATING
DC - 6 GHz 50 OHMS 250 VOLTS (VRMS MAX) @ SEA LEVEL  1.20:1 MAX @ 2 GHz 1.40:1 MAX @ 6 GHz  1,000 MEGOHMS MIN @ 250VDC 500 VOLTS (VRMS MIN) @ SEA LEVEL	100 MATING CYCLES	-40°C(-40°F) TO +125°C(257°F)

PRODUCT SPEC

THIS DRAWING IS A CONTROLLED DOCUMENT.		DWN DK SCHRUM 04MAY2006	Tyco Electronics Corporation Harrisburg, PA 17105-3608	
		CHK KE WEIDNER 04MAY2006		
		APVD KE WEIDNER 04MAY2006	NAME	
DIMENSIONS: mm		TOLERANCES UNLESS OTHERWISE SPECIFIED:	SSMT RIGHT ANGLE JACK TO MMCX STRAIGHT PLUG INTERSERIES CABLE ASSEMBLY	
		0 PLC ± - 1 PLC ± - 2 PLC ± - 3 PLC ± 0.13 4 PLC ± - ANGLES ± 1°	SIZE CAGE CODE DRAWING NO RESTRICTED TO	
MATERIAL		FINISH	A2 00779 C=1408483	
		WEIGHT	CUSTOMER DRAWING SCALE NTS SHEET 1 OF 1 REV B1	