

# P1AD-35MSAM-27G

RF Adapter, 3.5mm Male to SMA Male. Frequency DC to 27 GHz with a max VSWR 1.20.

## Product Features

P1AD-35MSAM is a 50 Ohm RF adapter, 3.5mm male to SMA male, operating to 27 GHz.

Maximum VSWR is 1.20 to 27 GHz.

Material is passivated stainless steel.



Electrical Specification:  $T_{\text{Ambient}} = 25^{\circ}\text{C}$

Parameter	Frequency Range	Units	Min	Typical	Max	Notes
Impedance				50.0		

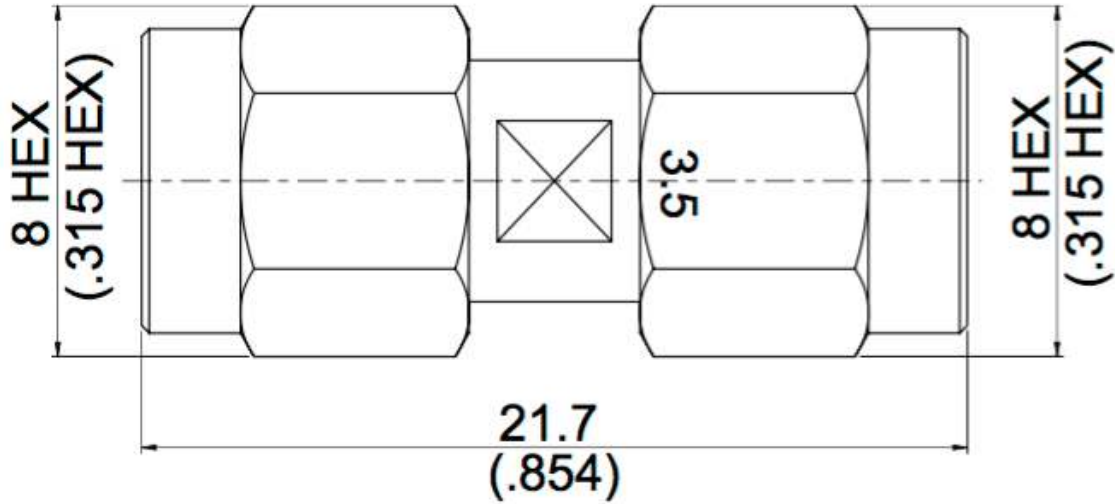
Mechanical And Environmental Specifications:

Parameter	Description	Notes
Connector 1	3.5mm Male	
Connector 2	SMA Male	
Orientation	Straight	
Mount Type	None	
RoHS Compliance	Yes	

Drawing

# P1AD-35MSAM-27G

RF Adapter, 3.5mm Male to SMA Male. Frequency DC to 27 GHz with a max VSWR 1.20.



## Graph

Parts	Material	Plating (Micro-inch)
Retainer Ring	Beryllium Copper	Tin-Zinc-Copper-Alloy 100 Over Copper 50
Gasket	Silicon	
Contact Pin	Beryllium Copper	Gold 20 Over Nickel 50 Over Copper 50
Insulator	P.P.O	
Body	Stainless Steel	Passivated
Coupling Nut	Stainless Steel	Passivated

## Product Notes