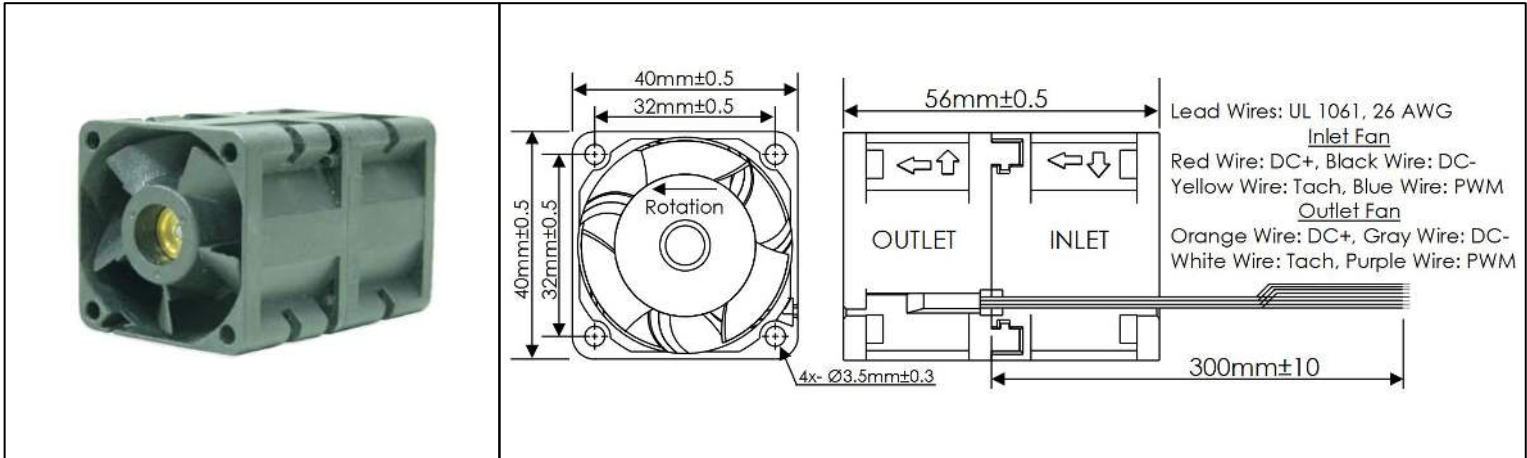


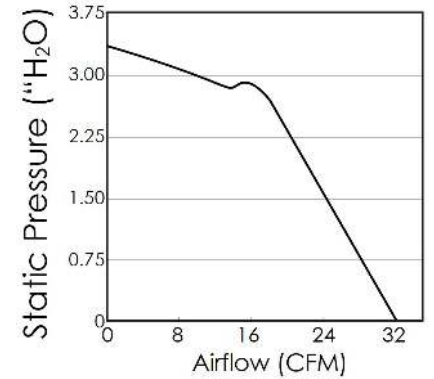
OD4056-12MB10A



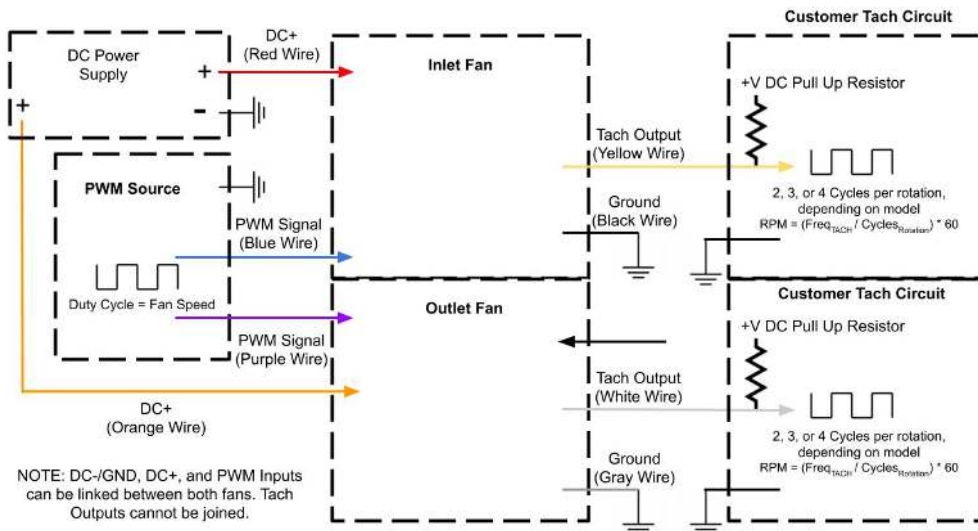
DC Fan - 12V
40mm x 56mm (1.58" x 2.20")



Frame & Impeller	PBT, UL94 V-0 Plastic	Operating Temperature -10°C ~ +70°C
Connection	8x Lead Wires, 24 AWG	Storage Temperature -40°C ~ +70°C
Motor	Brushless DC, Auto Cutoff, Auto Restart, Polarity Protected, Electronically Protected	Life Expectancy 70,000 Hours (L10 at 40°C)
Bearing System	Ball Bearing	Installed Options 2x- Open Collector Tach Output 2x- PWM Speed Control Input
Dielectric Strength	500VDC/min, <1mA	Weight: 0.23 lbs
Insulation Resistance	≥10MΩ @500V DC	



Part Number	Rated Voltage (Volts DC)	Voltage Range (Volts DC)	Input Power (Watts)	Rated Current (Amps)	Rated Speed (RPM)	Max Airflow (CFM)	Noise Level (dBA)	Max Static Pressure ("H ₂ O)
OD4056-12MB10A	12	8 ~ 13.8	19.20	1.60	21000±4000	32	72.5	3.30



PWM Max High Voltage: 5.5V DC
 PWM Max Sink Current: 5mA
 PWM Frequency Range: 20KHz-30KHz
 PWM Typical Frequency: 25KHz
 RPM at 0% Duty Cycle: 0 RPM
 Min. Duty Cycle for startup: 30%
 RPM will be full speed if PWM input is disconnected.
 Tach Max Pullup Voltage: 12V DC
 Tach Max Sink Current: 5mA
 Tach LOW Voltage Level: ≤0.5V DC
 Tach Cycles per rotation: 2