

PN/DATE CODE TO BE PRINTED ON THE BACK OF COMPLETED CAGE ASSEMBLY APPROXIMATELY AS SHOWN.

WEEK/YEAR DATE CODE TABLE	
WW	01 THRU 52 OR 53 EXAMPLE: 01 = FIRST WEEK OF YEAR
YY	22, 23, 24 ETC. EXAMPLE: YEAR 2022 = 22

NOTES:

- MATERIAL:**
CAGE: 0.25mm THICK COPPER ALLOY, NICKEL PLATED.
SPRING FINGERS: STAINLESS STEEL.
HEATSINK SPRING CLIP: STAINLESS STEEL.
- SOLDER POST LEGS 1.9mm LONG
- PORTS ARE DESIGNED FOR SFP+ TRANSCEIVERS AND ARE COMPATIBLE WITH SFP TRANSCEIVERS. THE TOP SURFACE OF THE MODULE MUST BE FLAT (NO PRODUCT LABEL RECESS) AND THERMALLY CONDUCTIVE TO FUNCTION OPTIMALLY.
- WELD SPOT MAY SHOW SLIGHT MATERIAL DISCOLORATION.
- NO ROHS EXEMPTIONS.
- 1.57mm MINIMUM PCB THICKNESS FOR SINGLE SIDED USE.

FUNCTIONAL SYMBOLS $\nabla_A = 0$ $\nabla_E = 0$ $\nabla_P = 0$	THIS DRAWING CONTAINS INFORMATION THAT IS PROPRIETARY TO MOLEX ELECTRONIC TECHNOLOGIES, LLC AND SHOULD NOT BE USED WITHOUT WRITTEN PERMISSION		CURRENT REV DESC: SEE REVISION TABLE						
	DIMENSION UNITS	SCALE							
	mm	2:1							
	GENERAL TOLERANCES (UNLESS SPECIFIED)								
DIVISIONAL SYMBOLS	ANGULAR TOL	± 1.0°	EC NO: 706897						
	4 PLACES	±	DRWN: PKH	2022/04/05					
	3 PLACES	±	CHK'D: TKUMARKC	2022/05/18					
	2 PLACES	± 0.13	APPR: SCHIEN	2022/05/19					
1 PLACE	± 0.25	INITIAL REVISION:							
0 PLACES	±	DRWN: PKH	2022/04/05	DOCUMENT NUMBER					
DRAFT WHERE APPLICABLE MUST REMAIN WITHIN DIMENSIONS		THIRD ANGLE PROJECTION	DRAWING	SERIES	MATERIAL NUMBER	CUSTOMER	DOC TYPE	DOC PART	REVISION
			C-SIZE	74754	747548248		PSD	ASY	A
									SHEET NUMBER
									1 OF 4

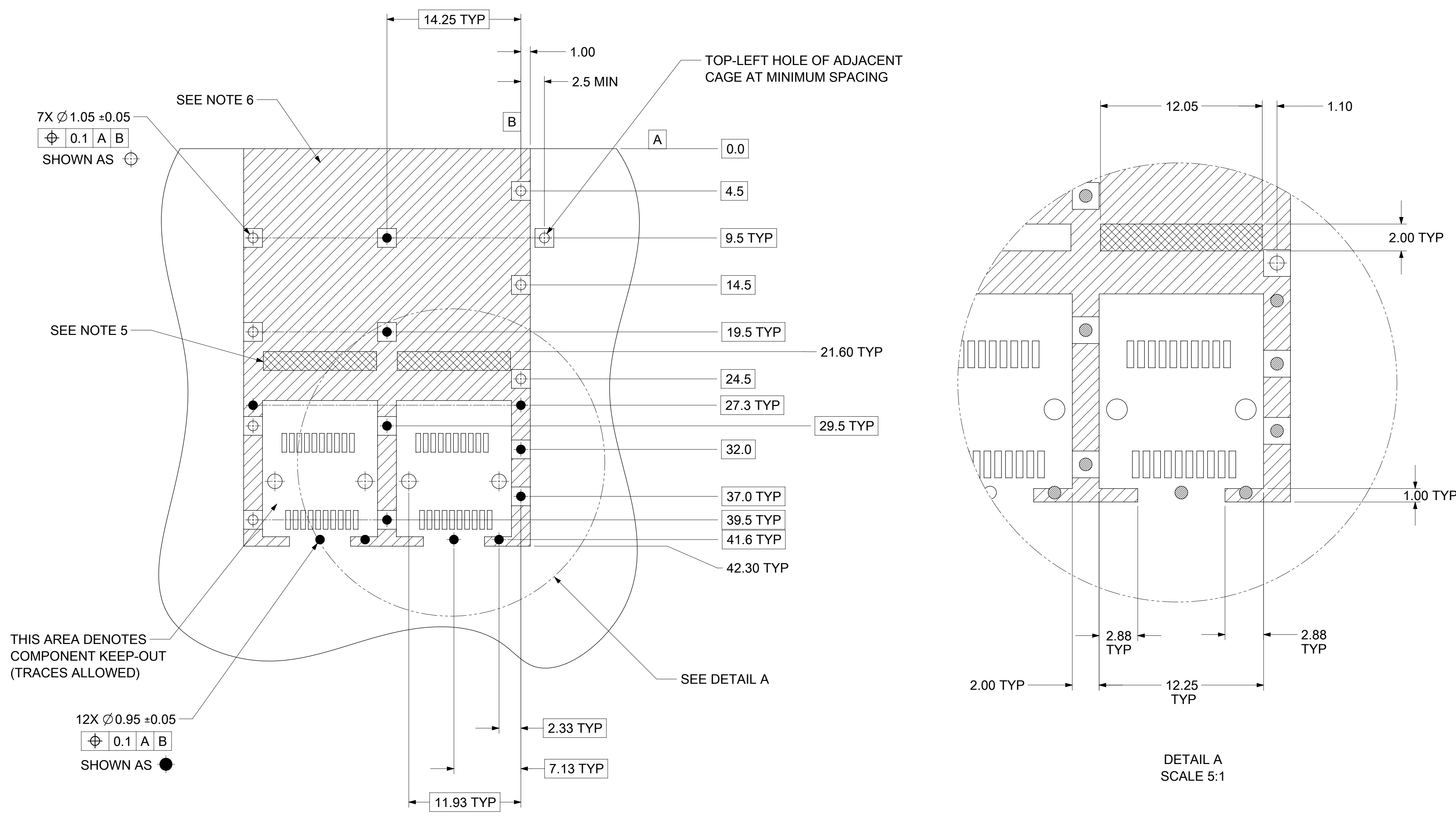
molex

SFP+ 1X2 CAGE ASSY, CLOSE TOP, SOLDER PIN TYPE, W/SUS SPRING FINGER

PRODUCT CUSTOMER DRAWING

DOCUMENT STATUS	P1	RELEASE DATE	2022/05/19	07:40:29
-----------------	----	--------------	------------	----------

PCB LAYOUT - SINGLE SIDE ONLY



THIS AREA DENOTES COMPONENT KEEP-OUT (TRACES ALLOWED)

7X Ø1.05 ±0.05
 ⊕ 0.1 A B
 SHOWN AS ⊕

12X Ø0.95 ±0.05
 ⊕ 0.1 A B
 SHOWN AS ●

- NOTES:
- PADS AND VIAS CONNECT TO CHASSIS GROUND
RECOMMEND PADS TO BE 2.00mm SQUARE
 - RECOMMENDED THRU HOLE PLATING INCLUDES HASL, OSP, OR IMMERSION (GOLD, SILVER, OR TIN)
 - CONNECTOR PAD LAYOUT PER SFP+ MSA WILL ACCOMODATE MOLEX CONNECTOR SERIES 74441 OR EQUIVALENT.
 - SPACING BETWEEN PORTS IS 14.25mm
 - CROSS-HATCHED AREA IS EXPOSED CHASSIS GROUND (NO OSP)
 - HATCHED AREA IS COMPONENT AND TRACE KEEP-OUT (EXCEPT CHASSIS GROUND)

DETAIL A
 SCALE 5:1

FUNCTIONAL SYMBOLS		THIS DRAWING CONTAINS INFORMATION THAT IS PROPRIETARY TO MOLEX ELECTRONIC TECHNOLOGIES, LLC AND SHOULD NOT BE USED WITHOUT WRITTEN PERMISSION		CURRENT REV DESC: SEE REVISION TABLE	
$\frac{F}{A} = 0$	DIMENSION UNITS	SCALE			
$\frac{F}{C} = 0$	mm	3.5:1			
$\frac{F}{P} = 0$	GENERAL TOLERANCES (UNLESS SPECIFIED)				
	ANGULAR TOL ± 1.0°				
DIVISIONAL SYMBOLS		4 PLACES ±	EC NO: 706897	2022/04/05	
	3 PLACES ±		DRWN: PKH	2022/05/18	
	2 PLACES ± 0.13		CHK'D: TKUMARKC	2022/05/19	
	1 PLACE ± 0.25		APPR: SCHIEN		
	0 PLACES ±		INITIAL REVISION:		
DRAFT WHERE APPLICABLE MUST REMAIN WITHIN DIMENSIONS		THIRD ANGLE PROJECTION	DRWN: PKH	2022/04/05	
		DRAWING	APPR: SCHIEN	2022/05/19	
		C-SIZE	SERIES	74754	
DOCUMENT STATUS		P1	RELEASE DATE	2022/05/19 07:40:29	
12		11	10	9	8
11		10	9	8	7
10		9	8	7	6
9		8	7	6	5
8		7	6	5	4
7		6	5	4	3
6		5	4	3	2
5		4	3	2	1

molex

SFP+ 1X2 CAGE ASSY, CLOSE TOP, SOLDER PIN TYPE, W/SUS SPRING FINGER

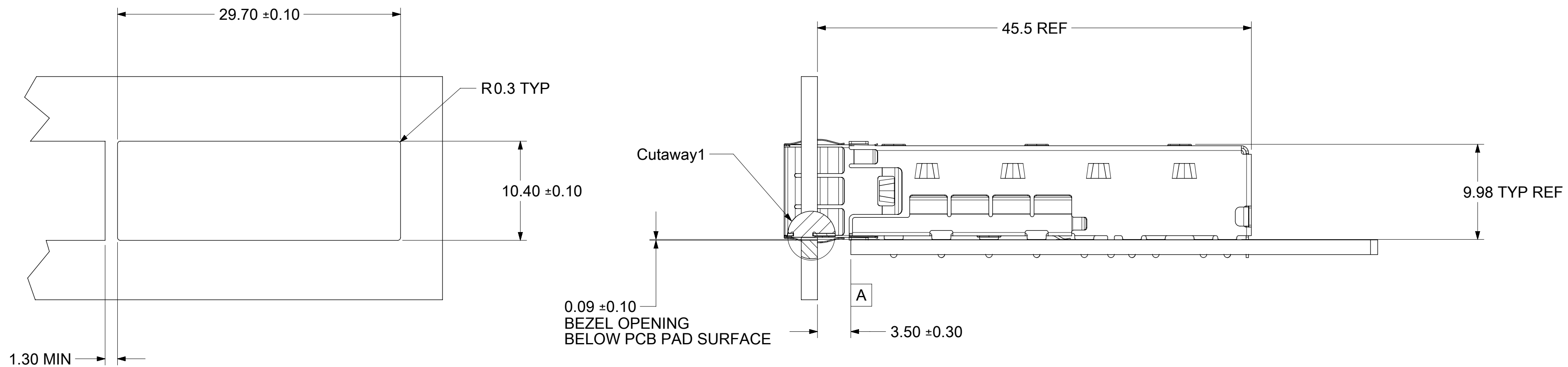
PRODUCT CUSTOMER DRAWING

DOCUMENT NUMBER
747548248

DOC TYPE DOC PART REVISION
 PSD ASY A

MATERIAL NUMBER CUSTOMER SHEET NUMBER
 747548248 2 OF 4

BEZEL AND BOARD POSITION DIMENSIONS FOR SINGLE SIDE MOUNTING (SPRING FINGER)



NOTE:
1. PCB THICKNESS VARIATION MUST BE CONSIDERED WHEN DETERMINING BEZEL OPENING, SIZE, AND LOCATION.

FUNCTIONAL SYMBOLS	THIS DRAWING CONTAINS INFORMATION THAT IS PROPRIETARY TO MOLEX ELECTRONIC TECHNOLOGIES, LLC AND SHOULD NOT BE USED WITHOUT WRITTEN PERMISSION										
$\frac{F}{A} = 0$	DIMENSION UNITS	SCALE	CURRENT REV DESC: SEE REVISION TABLE								
$\frac{F}{C} = 0$	mm	2:1	molex								
$\frac{F}{P} = 0$	GENERAL TOLERANCES (UNLESS SPECIFIED)										
	ANGULAR TOL ± 1.0°		EC NO: 706897		2022/04/05		SFP+ 1X2 CAGE ASSY, CLOSE TOP, SOLDER PIN TYPE, W/SUS SPRING FINGER				
	4 PLACES ±		DRWN: PKH		2022/05/18						
	3 PLACES ±		CHK'D: TKUMARKC		2022/05/19		PRODUCT CUSTOMER DRAWING				
	2 PLACES ± 0.13		APPR: SCHIEN		2022/05/19						
	1 PLACE ± 0.25		INITIAL REVISION:				DOCUMENT NUMBER		DOC TYPE	DOC PART	REVISION
	0 PLACES ±		DRWN: PKH		2022/04/05		747548248		PSD	ASY	A
	DRAFT WHERE APPLICABLE MUST REMAIN WITHIN DIMENSIONS		THIRD ANGLE PROJECTION		DRAWING	SERIES	MATERIAL NUMBER	CUSTOMER		SHEET NUMBER	
					C-SIZE	74754	747548248			3 OF 4	

REV	DATE	DESCRIPTION
A	2022/04/05	INITIAL RELEASE

FUNCTIONAL SYMBOLS = 0 = 0 = 0 DIVISIONAL SYMBOLS 3 PLACES ± 2 PLACES ± 0.13 1 PLACE ± 0.25 0 PLACES ± DRAFT WHERE APPLICABLE MUST REMAIN WITHIN DIMENSIONS	THIS DRAWING CONTAINS INFORMATION THAT IS PROPRIETARY TO MOLEX ELECTRONIC TECHNOLOGIES, LLC AND SHOULD NOT BE USED WITHOUT WRITTEN PERMISSION		DIMENSION UNITS: mm SCALE: 1:1		CURRENT REV DESC: SEE REVISION TABLE					
	GENERAL TOLERANCES (UNLESS SPECIFIED) ANGULAR TOL ± 1.0°		4 PLACES ± 3 PLACES ± 2 PLACES ± 0.13 1 PLACE ± 0.25 0 PLACES ±		EC NO: 706897 DRWN: PKH 2022/04/05 CHK'D: TKUMARKC 2022/05/18 APPR: SCHIEN 2022/05/19					
	INITIAL REVISION: DRWN: PKH 2022/04/05 APPR: SCHIEN 2022/05/19		PRODUCT CUSTOMER DRAWING		DOCUMENT NUMBER 747548248		DOC TYPE PSD	DOC PART ASY	REVISION A	
	THIRD ANGLE PROJECTION 		DRAWING C-SIZE	SERIES 74754	MATERIAL NUMBER 747548248		CUSTOMER		SHEET NUMBER 4 OF 4	