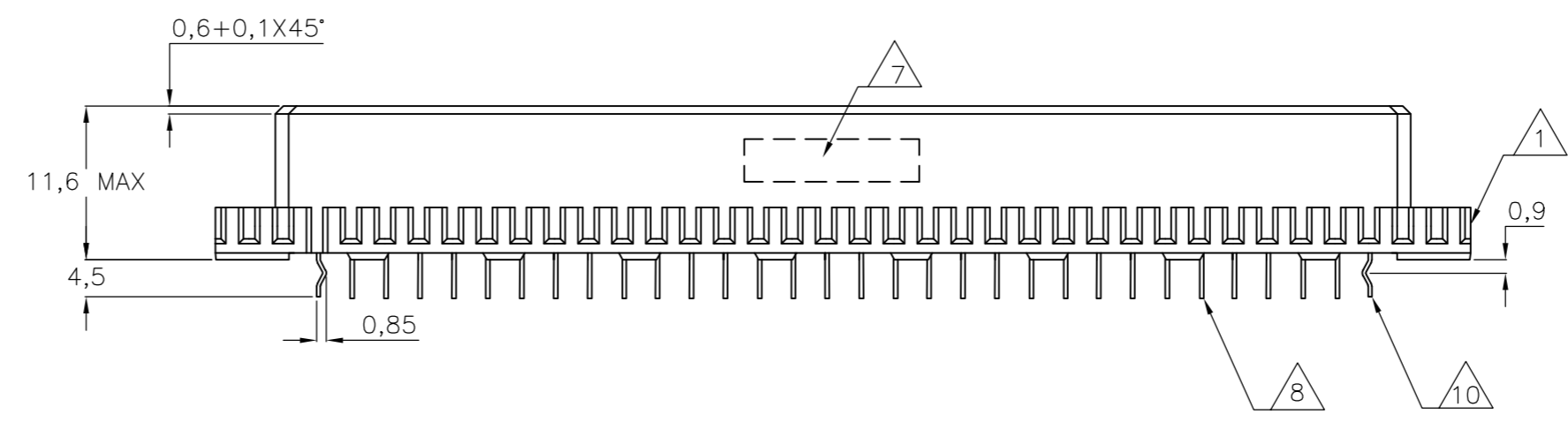
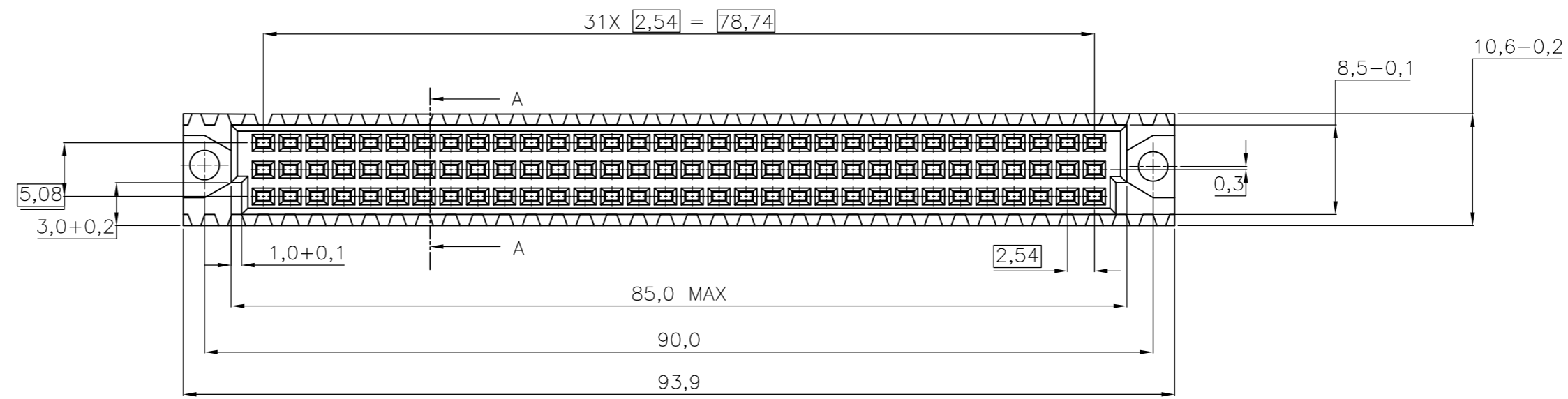


THIS DRAWING IS UNPUBLISHED. RELEASED FOR PUBLICATION
 © COPYRIGHT - By - ALL RIGHTS RESERVED.

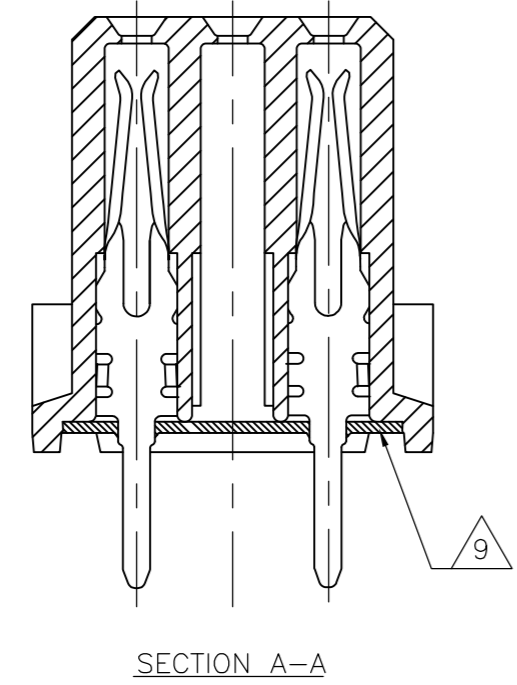
| LOC | DIST | REVISIONS | | | | | |
|-----|------|-----------|-----|---------------|----------|------|------|
| | | P | LTR | DESCRIPTION | DATE | DWN | APVD |
| H | - | F | | EH-1253-96 | 05-11-97 | LvdH | J.G |
| | | G | | ECR-07-020965 | 22-08-08 | AEG | MKO |
| | | G1 | | ECR-11-008320 | 18NOV11 | RK | MKO |

NOTES:

- 1 CONNECTOR MEETS THE REQUIREMENTS ACC. DIN 41612,PART 5.
- 2 MATERIAL CONTACT: PHOSPHORBRONZE. MATERIAL HOUSING: GLASSFILLED THERM. POLYESTER. COLOR:GREY
- 3 AT CONTACTAREA 1,25 μm GOLD OVER 1,25 μm NICKEL AT SOLDER POST AREA 1,25 μm TIN.
- 4 AT CONTACTAREA 0,8 μm GOLD OVER 1,25 μm NICKEL AT SOLDER POST AREA 1,25 μm TIN.
- 5 CONTACT ARRANGEMENTS; AN AN ASTERISK " X " DENOTES A SIGNAL CONTACT. AN ASTERISK " ⊗ " DENOTES A KINKED SIGNAL CONTACT.
- 6 AT CONTACTAREA 0,4 μm GOLD OVER 1,25 μm NICKEL AT SOLDER POST AREA 1,25 μm TIN.
- 7 CONNECTOR PRINTED WITH PARTNUMBER AND DATECODE ON OUTSIDE OF MATING AREA AT SIDE OF ROW c.
- 8 SOLDER POSTS SUITABLE FOR 1,0 NOM. P.C.B. HOLES.
- 9 FLUX RESISTANCE STRIP.
- 10 KINKED POSTS.
- 11 AT CONTACTAREA 0,1 μm GOLD OVER 0,7 μm PALLADIUM (DURAGOLD) OVER 1,25 μm NICKEL, AT SOLDERPOST AREA 1,25 μm TIN.



| c | b | a | 5 |
|---|---|---|----|
| ⊗ | o | ⊗ | 1 |
| X | o | X | 2 |
| X | o | X | 3 |
| X | o | X | 4 |
| X | o | X | 5 |
| X | o | X | 6 |
| X | o | X | 7 |
| X | o | X | 8 |
| X | o | X | 9 |
| X | o | X | 10 |
| X | o | X | 11 |
| X | o | X | 12 |
| X | o | X | 13 |
| X | o | X | 14 |
| X | o | X | 15 |
| X | o | X | 16 |
| X | o | X | 17 |
| X | o | X | 18 |
| X | o | X | 19 |
| X | o | X | 20 |
| X | o | X | 21 |
| X | o | X | 22 |
| X | o | X | 23 |
| X | o | X | 24 |
| X | o | X | 25 |
| X | o | X | 26 |
| X | o | X | 27 |
| X | o | X | 28 |
| X | o | X | 29 |
| X | o | X | 30 |
| X | o | X | 31 |
| ⊗ | o | ⊗ | 32 |



| | | | | | |
|-------------------------|------|---------|--------|----------|------------|
| OBSOLETE | WITH | WITHOUT | 1 | 2 | 7-216097-4 |
| OBSOLETE | WITH | WITH | 1 | 2 | 6-216097-4 |
| OBSOLETE | WITH | WITHOUT | 4 | 2 | 1-216097-4 |
| OBSOLETE | WITH | WITH | 6 | 2 | 216097-8 |
| SUPERSEDED BY 2173046-4 | WITH | WITH | 4 | 2 | 216097-4 |
| OBSOLETE | WITH | WITH | 3 | 2 | 216097-1 |
| | 10 | 9 | FINISH | MATERIAL | PARTNUMBER |

| | | | | |
|--|----------|------------------|-----------------|-------------------------------------|
| THIS DRAWING IS A CONTROLLED DOCUMENT. | | DWN | J.V.LIEMPT | 19JUN91 |
| DIMENSIONS: mm | | CHK | J.GIBBELS | 19NOV97 |
| TOLERANCES UNLESS OTHERWISE SPECIFIED: | | APVD | - | NAME |
| 0 PLC | ± 0,1 | PRODUCT SPEC | - | 64 POS C FEMALE B.T.B. CONN. |
| 1 PLC | ± 0,05 | APPLICATION SPEC | - | ACC.DIN 41612 WITH SOLDER POSTS |
| 2 PLC | ± - | WEIGHT | - | FOR 2,4 OR 3,2 mm. P.C.BOARD THK'S. |
| 3 PLC | ± - | SCALE | A2 | 00779 |
| 4 PLC | ± - | SHEET | 1 | OF 1 |
| ANGLES | ± 0°,30' | REV | G1 | |
| MATERIAL | FINISH | CUSTOMER DRAWING | TE Connectivity | |