

# SIEMENS



## ICs for Communications

ISDN Exchange Power Controller

IEPC

PEB 2025

**SIEM802122**

Data Sheet 05.92

<b>PEB 2025</b>	
<b>Revision History: Original Version 05.92</b>	
Previous Releases:	
Page	Subjects (changes since last revision)

## Data Classification

### Maximum Ratings

Maximum ratings are absolute ratings; exceeding only one of these values may cause irreversible damage to the integrated circuit.

### Characteristics

The listed characteristics are ensured over the operating range of the integrated circuit. Typical characteristics specify mean values expected over the production spread. If not otherwise specified, typical characteristics apply at  $T_A = 25^\circ\text{C}$  and the given supply voltage.

### Operating Range

In the operating range the functions given in the circuit description are fulfilled.

For detailed technical information about "**Processing Guidelines**" and "**Quality Assurance**" for ICs, see our "**Product Overview**".

Edition 05.92

This edition was realized using the software system FrameMaker®.

**Published by Siemens AG, Bereich Halbleiter, Marketing-Kommunikation,  
Balanstraße 73, D-8000 München 80**

© Siemens AG 1991. All Rights Reserved.

As far as patents or other rights of third parties are concerned, liability is only assumed for components per se, not for applications, processes and circuits implemented within components or assemblies.

The information describes the type of component and shall not be considered as assured characteristics.

Terms of delivery and rights to change design reserved.

For questions on technology, delivery, and prices please contact the Offices of Semiconductor Group in Germany or the Siemens Companies and Representatives worldwide (see address list).

Due to technical requirements components may contain dangerous substances. For information on the type in question please contact your nearest Siemens Office, Semiconductor Group.

Siemens AG is an approved CECC manufacturer.

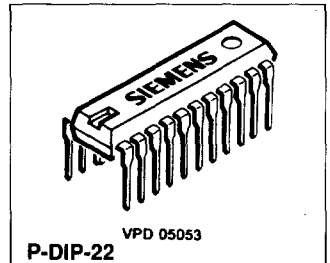
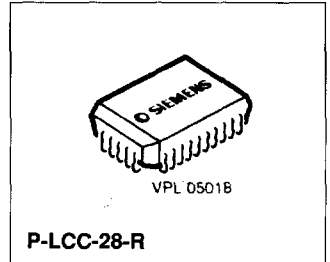
## ISDN Exchange Power Controller (IEPC)

PEB 2025

CMOS IC

### Features

- Supplies power to up to four transmission lines
- CCITT recommendations compatible for power feed at the "S" interface
- Each line is individually powered and controlled
- Wide field of applications:
  - two- and four wire transmission lines
  - point-to-point configurations
  - point-to-multipoint configurations
- Maximum output current programmable up to 150 mA
- Programmable switch-off characteristic by overcurrent detection
- Automatic restart after removing overload conditions
- Status detectors for each line driver
- Microprocessor compatible interface
- Interrupt output for detection of any malfunction
- High voltage CMOS technology (60 V)



Type	Version	Ordering Code	Package
PEB 2025-N	V 1.5	Q67100-H6300	P-LCC-28-R (SMD)
PEB 2025-P	V 1.5	Q67100-H6241	P-DIP-22

The IEPC is an integrated power controller especially designed for feeding two- and four wire transmission lines. The IEPC is fully compatible to the CCITT recommendations on power feed at the "S"-interface. So the IEPC can be used in PABX/Central Office and in intelligent NT's.

The IEPC supplies power up to four transmission lines. Each line is individually powered and controlled via microprocessor interface. An interrupt output signals any malfunction to the microprocessor.

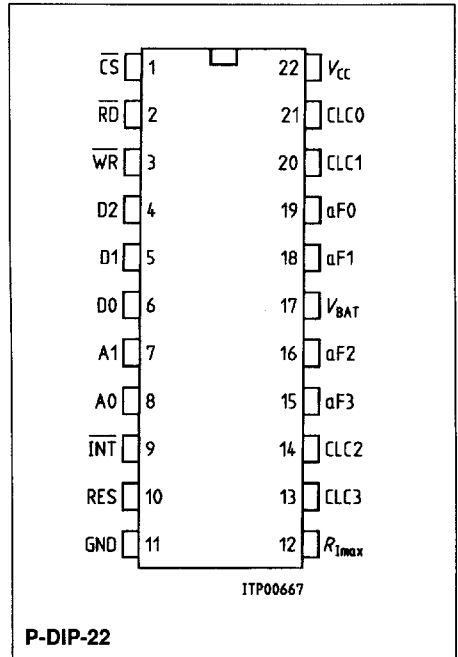
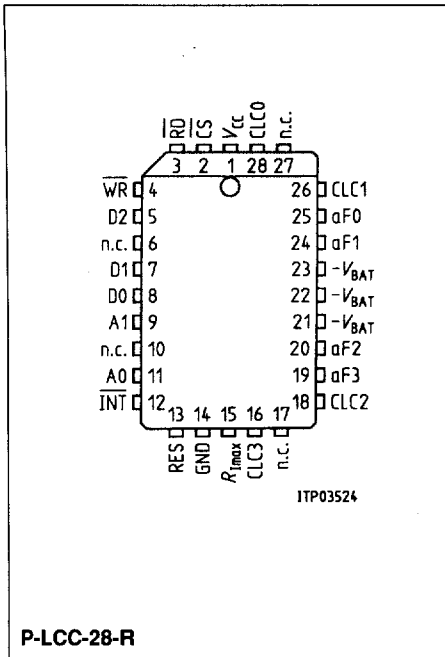
The high voltage CMOS technology (60 V) ensures a wide field of applications:

- two- and four wire transmission lines
- point-to-point configurations
- point-to-multipoint configurations etc.

Programmable output current and thermal shut down guards the IEPC against overloads. The IEPC offers a special transient permitted overload state. Momentary overloads within a specified range e.g. by connecting a TE to a powered line, however, will not activate the current-limit-circuits of the power controller. If overload is detected, the line driver will turn off according to a time and current dependent turn off characteristic. The IEPC offers an automatic restart-mode. In this case the IEPC tries to power up the line periodically, thus the feeding of a line will return automatically after the overload-conditions are removed.

**Pin Configurations**

(top view)



## Pin Definitions and Functions

Pin No. P-DIP-22	Pin No. P-LCC-28	Symbol	Input (I) Output (O)	Function
17	21, 22, 23	$V_{BAT}$	I	<b>Supply Voltage:</b> This pin has to be connected to the negative supply voltage. $V_{BAT}$ supplies power to all line drivers.
22	1	$V_{CC}$	I	<b>Digital Supply Voltage:</b> + 5V
11	14	GND	I	<b>Ground:</b> Digital <b>Note:</b> GND has to be connected to ground battery (positive supply voltage)
19, 18, 16, 15	25, 24, 20, 19	aF0 - aF3	O	<b>a-Line Feeding:</b> aF <sub>i</sub> are the line driver outputs
12	15	$R_{imax}$	I	<b>Current Limit:</b> Using an external resistor connected between $R_{imax}$ and GND, the maximum limit is the same to all line drivers.
21, 20, 14, 13	28, 26, 18, 16	CLC0 - CLC3	I	<b>Current Limit Characteristic:</b> By connecting external capacitors between CLC <sub>i</sub> and GND, the time-dependent turn off-characteristics of the line drivers are defined.
1	2	$\overline{CS}$	I	<b>Chip Select:</b> A logic low on $\overline{CS}$ enables $\overline{RD}$ and $\overline{WR}$ communication between the processor and the IEPC.
3	4	$\overline{WR}$	I	<b>Write:</b> A logic low on this pin, while $\overline{CS}$ is low, enables the IEPC to accept command words from the processor.
2	3	$\overline{RD}$	I	<b>Read:</b> A low on this pin (while $\overline{CS}$ is low) enables the IEPC to release onto the data bus for the processor.
6, 5, 4	8, 7, 5	D0 - D2	I/O	<b>Data Bus:</b> Control, status and command information are transferred via this bus between IEPC and processor.
8, 7	11, 9	A0, A1	I	<b>Address Bus:</b> These inputs select the internal registers while chip select is active.
10	13	RES	I	<b>Reset:</b> A logic high on the RES input sets the device into the initial state.

Pin Definitions and Functions (cont'd)

Pin No. P-DIP-22	Pin No. P-LCC-28	Symbol	Input (I) Output (O)	Function
9	12	$\overline{\text{INT}}$	O	<b>Interrupt:</b> Open drain output. If any malfunction is detected by the IEPC, this interrupt-pin is active low.
-	6, 10, 17, 27	N.C.		Not connected

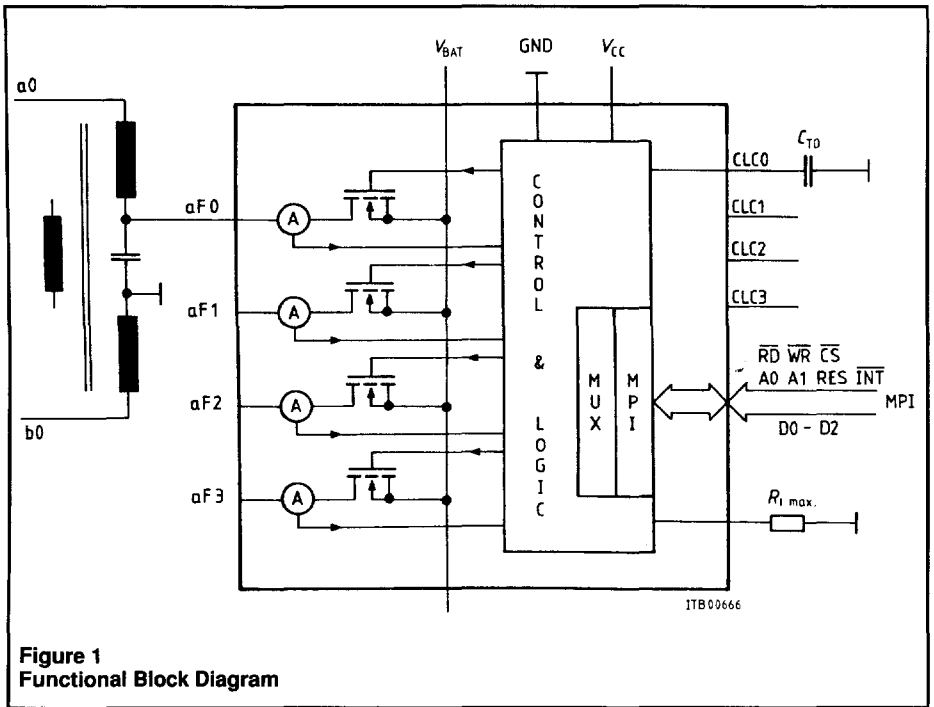
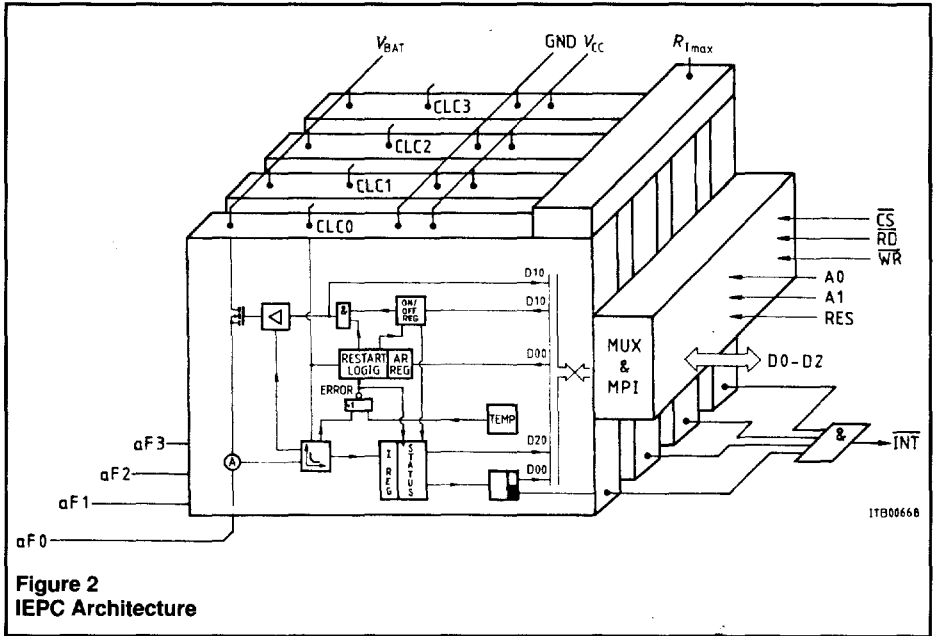
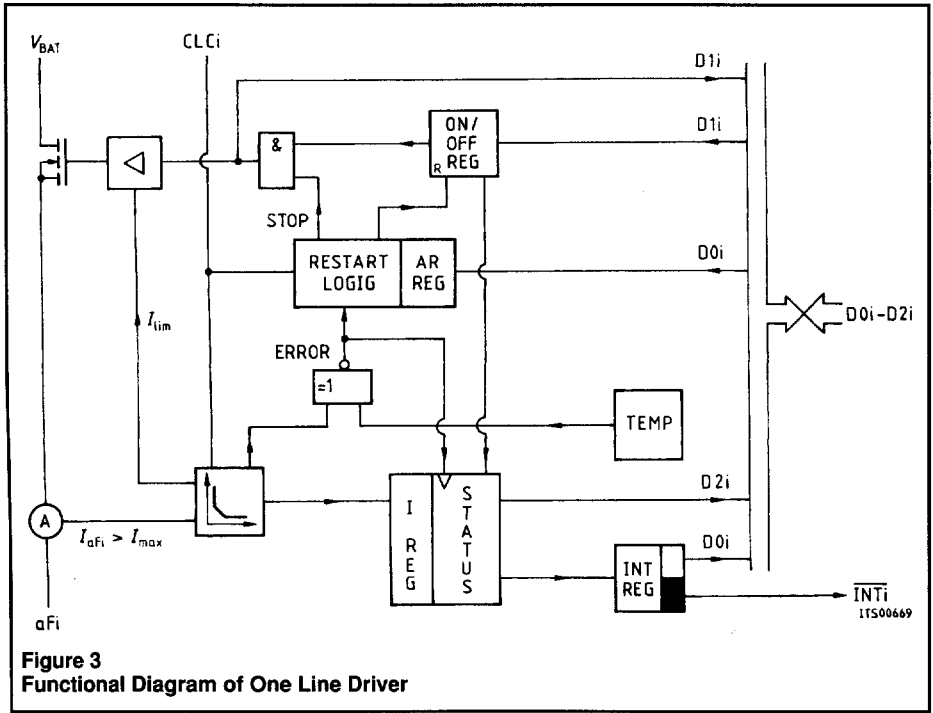


Figure 1  
Functional Block Diagram



**Figure 2**  
**IEPC Architecture**



**Figure 3**  
**Functional Diagram of One Line Driver**



## Functional Description

**Figure 2** shows the IEPC organization. The exchange power controller contains one line driver for each of the four transmission lines. A line oriented register architecture allows very simple software control.

**Figure 3** shows the functional diagram of one of the four line drivers. The IEPC consists of a high voltage analog part and a low voltage digital part.

The ground battery (positive supply voltage) has to be connected to GND (pin 11).

When powering up the IEPC, the line drivers are switched off and all registers are cleared. The same initialized state can be achieved by an external high signal applied to the pin RES.

## Analog Part

### Power Switches

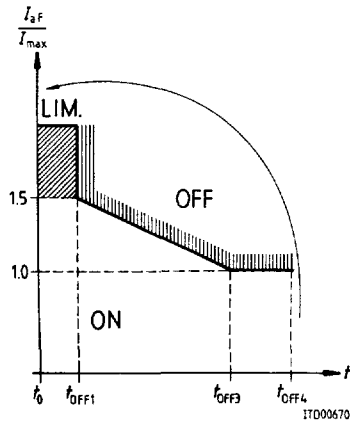
The negative pole of the supply, e.g. an exchange battery, has to be connected to the pin  $V_{BAT}$ . After an ON-command to line  $i$ , a high voltage MOS-FET will connect the negative supply voltage from  $V_{BAT}$  to aFi.

### Current Control

The current of each negative wire (aFi) is controlled individually.

The maximum feeding current is programmed by an external resistor  $R_i$  connected between pin  $R_{imax}$  and GND (see **figure 1**) and is same to all four lines.

**aFi Line Control:** Connecting an external capacitor  $C_{Ti}$  between CLCi and GND (see **figure 1**), the IEPC offers a special time and current dependent turn off characteristic. The IEPC will limit the aFi line current to protect the IEPC against over currents and to avoid discharging of the feeding source. **Figure 4** shows this transient permitted overload (TPO) state.



**Figure 4**  
**Diagram of the Transient Permitted Overload (TPO) State**

During the first timestep ( $t_{\text{OFF}1}$ ) since overload of the negative wire aFi was detected ( $I_{\text{aFi}} \geq I_{\text{max}}$ ), the current will be limited. Within the next timestep (till  $t_{\text{OFF}3}$ ) the current must drop from  $1.5 I_{\text{max}}$  to  $I_{\text{max}}$ , otherwise the line driver turns off. After  $t_{\text{OFF}3}$  any current above  $I_{\text{max}}$  results turn off the line driver. After  $t_{\text{OFF}4}$ , if no turn off of the line driver has occurred, the current limiting characteristics becomes active again and will be prepared for detection of further overload conditions.

Timestep  $t_{\text{OFF}1}$  is defined by charging the capacitor  $C_T$  with the current  $I_{\text{CLC}}$  which is specified in the AC characteristics.

$t_{\text{OFF}3}$  and  $t_{\text{OFF}4}$  depend on  $t_{\text{OFF}1}$ :

$$t_{\text{OFF}3} \approx 15 t_{\text{OFF}1}$$

$$t_{\text{OFF}4} = t_{\text{AR}} \approx 50 t_{\text{OFF}1}$$

**Note:**

If aFi has been switched off due to the time dependent current limiting circuit while  $C_{T1}$  is charged, an ON command has no effect. To turn on the line driver  $C_{T1}$  has to be discharged.

$C_{T1}$  will be discharged:

- by an OFF command
- if  $t_{\text{OFF}4}$  is reached
- in non-automatic restart mode if the line driver has been switched off due to an overload condition.

If overload is once detected, every exceeding of the current limits will turn off the line driver until  $t_{OFF4}$  is reached. The time dependent current limiting circuit will **not** be reseted if once overload is detected, even if the feeding current drops below  $I_{max}$  until  $t_{OFF4}$  is reached.

If pin CLC is connected to GND the time and current dependent turn off characteristic is disabled and the IEPC limits the driver current.

### Automatic Restart

In connection with the time-dependent-current-limitation, the IEPC offers a programmable automatic restart mode (see digital part).

If overload is detected ( $I_{aFi} \geq I_{max}$ ) at  $t_0$ , the IEPC starts charging the external capacitor  $C_{Ti}$ .

**Automatic restart enabled:** If the line driver has been switched off due to the time dependent turn off characteristic,  $C_{Ti}$  will **not** be discharged by the IEPC. If  $t_{OFF4}$  is reached the line driver restarts automatically. So the time difference between turn off and automatic restart is variable and depends on the moment of turn off.

**Autorestart disabled:** If  $t_{OFF4}$  is reached **or** if the line driver has been switched off due to the time dependent turn off characteristic,  $C_{Ti}$  will be discharged by the IEPC. During the discharge time of  $C_{Ti}$ , every restart of line  $i$  via microprocessor interface will be ignored by the IEPC.

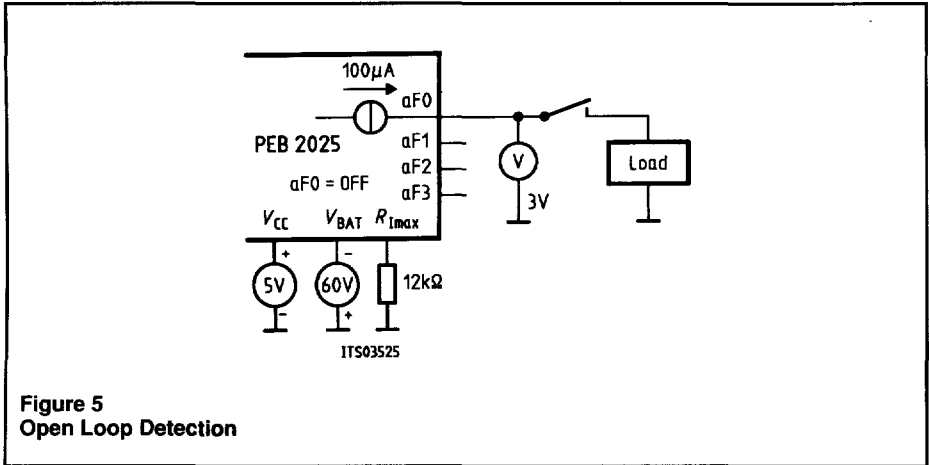
(With  $C_{Ti} = 10 \mu\text{F}$  the maximum discharge time is 10 ms.)

### Temperature Shut-Off

The temperature of each line driver is monitored separately. If the temperature of one line driver exceeds the shut-off temperature (approx. 120 °C), the transmission line will turn off. The shut-off temperature of the other three line drivers will be increased by approx. 25 °C.

### Open Loop Detection

The IEPC offers an easy method to detect open loops. If the line driver aFi is in the OFF state a constant current source (approx. 100  $\mu\text{A}$ ) feeds the output aFi. In case of open loop (**figure 5**) the voltage at output aFi rises up to 3 V.



**Figure 5**  
**Open Loop Detection**

### Digital Part

The microprocessor interface (MPI) communicates with a processor which controls the IEPC. This MPI contains a 3-bit data bus, a 2-bit address bus, read-, write-, chip select- and reset lines. If chip select is inactive (logic high) the data bus is in a high impedance state and no communication between the processor and IEPC is possible.

The IEPC contains a line oriented register architecture, i.e. one read and one write register for each line. A read or write cycle affects the addressed register, which is related to the corresponding line driver.

The write register consists of three control bits per line i:

- D0: Automatic Restart-bit (AR)
- D1: ON/OFF-bit (ON)
- D2: must be 0

The read register consists of three status bits per line i:

- D0: Interrupt-bit (INT)
- D1: Actual ON/OFF Driver status-bit (AO)
- D3: Current Overload-bit (CO)

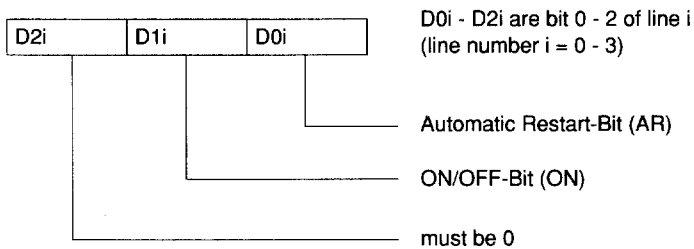
A logic high on the RES pin sets the device into an initial state: all registers of the IEPC are cleared (D0i - D2i are low).

**Address Table**

CS	A1	A0	Selected Line
0	0	0	Line 0
0	0	1	Line 1
0	1	0	Line 2
0	1	1	Line 3
1	x	x	No access

**Write Register**

The write register is organized as shown below:



**Automatic Restart Bit:** Automatic restart mode is only possible in connection with the time-dependent-current limitation, i.e. an external capacitor must be connected between pin CLCi and GND. If D0i is high, automatic restart mode is enabled.

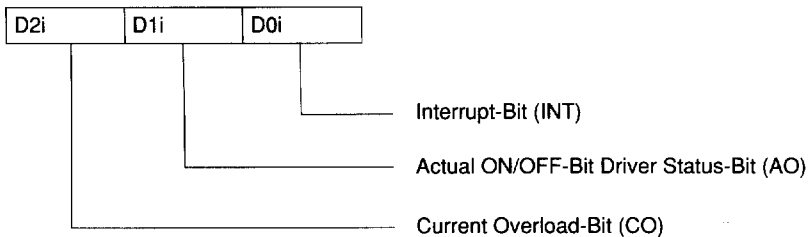
	D2i	D1i	D0i
AR enabled	0	x	1
AR disabled	0	x	0

**ON/OFF-Bit:** To turn a line driver on, D1i must be set to high, to turn it off, it must be set to low. An off command resets the time and current dependent turn off characteristic by discharging the external capacitor at pin CLCi.

	D2i	D1i	D0i
ON	0	1	x
OFF	0	0	x

### Read Register

The read register is organized as shown below:



**Interrupt-Bit:** If malfunctions have been detected (current- or thermal overload) and the line driver of line i has been turned off the interrupt-bit will be set:

	D2i	D1i	D0i
Interrupt	x	x	1
Operational	x	x	0

The interrupts  $\overline{INT0} - \overline{INT3}$  are added to the device output-signal  $\overline{INT}$ . Thus if any malfunction is detected an interrupt signal is sent to the microprocessor.

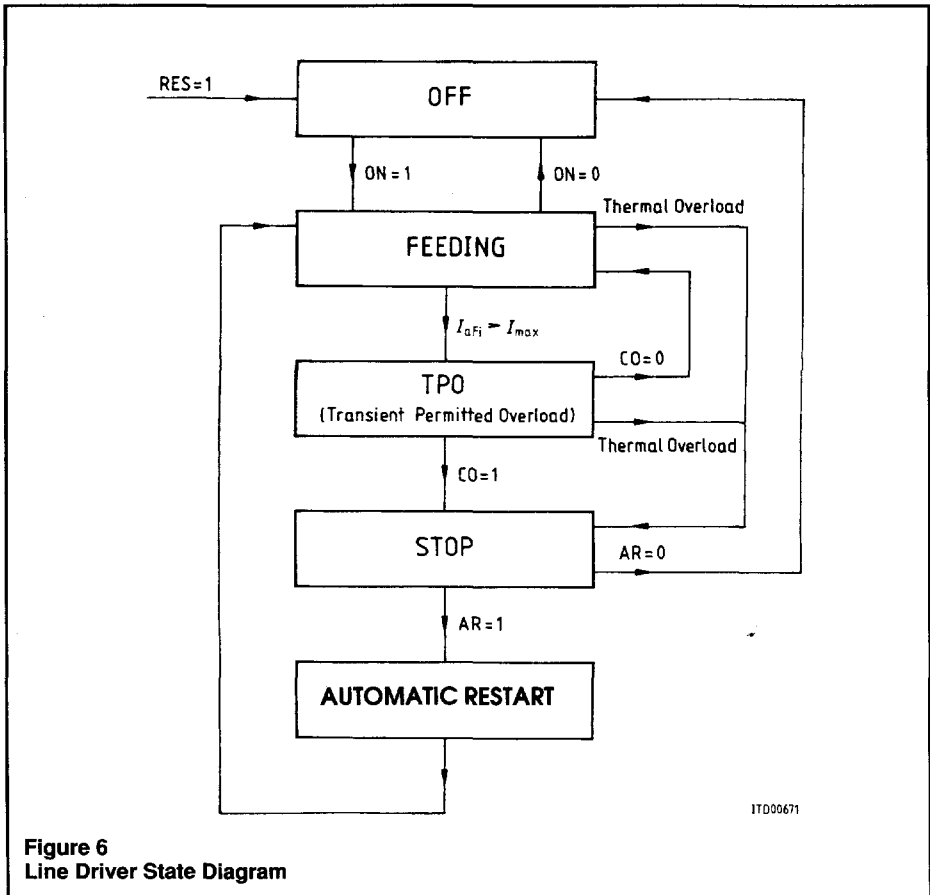
**Actual ON/OFF Driver Status-Bit:** D1i shows the actual status of the line driver of line i:

Driver	D2i	D1i	D0i
Driver ON	x	1	x
Driver OFF	x	0	x

**Current Overload-Bit:** If  $I_{aFi} \geq I_{max}$  is detected and the line driver has been switched off the current overload bit will be set.

If CLCi is connected to GND, the current overload bit will **not** be set.

	D2i	D1i	D0i
Current overload	1	x	x
Operational	0	x	x



**Figure 6**  
Line Driver State Diagram



## State Diagram

Figure 6 shows the state diagram of one IEPC line driver.

A logic high on the RES input sets the device into the initial state. The line driver is switched off and all registers are cleared. The same initialized state is achieved by powering up the IEPC. After an ON-command ( $ON = 1$ ) the line drivers will turn on and the IEPC is in the FEEDING-state. To return to the OFF-state the ON-bit must be cleared ( $ON = 0$ ).

In the FEEDING-state the current  $I_{aFi}$  is controlled. If overcurrent is detected one of the following cases happens:

1. If an external capacitor  $C_{Ti}$  is connected between CLCi and GND and  $I_{aFi} \geq I_{max}$  is detected the IEPC stays in the **Transient Permitted Overload-state (TPO)**. Exceeding the time-current-limit the line driver turns off and the IEPC is in the STOP-state. The current overload-bit will be set ( $CO = 1$ ) and  $C_{Ti}$  will be discharged by a resistor of the IEPC. Until  $C_{Ti}$  isn't discharged completely, an ON command will be ignored. If no exceeding happens the line driver returns to the FEEDING-state.
2. If  $I_{aFi} \geq I_{max}$  is detected and CLCi is connected to GND the IEPC limits the driver current. The current overload bit will not be set.

The temperature of each line driver is controlled separately. If the temperature of the line driver exceeds the shut-off temperature, the transmission line will turn off and the line driver is in the STOP-state. In this case the shut-off temperature of the other three line drivers will be increased.

There are two different ways to leave the STOP-state:

1. If the automatic restart bit is set ( $AR = 1$ ) the IEPC returns after a delay time to the FEEDING-state automatically. The ON/OFF register will not be cleared.
2. If no automatic restart mode is selected ( $AR = 0$ ) the IEPC returns to the OFF-state. In this case the ON/OFF register will be cleared.

As soon as the STOP-state is reached the IEPC sends an interrupt signal to the microprocessor (interrupt-pin is active low).

If the line driver is not in the terminal overload state, every rising edge of the read signal resets the interrupt bit  $\overline{INT}_i$  (D0i) of the selected line  $i$ . The current overload-bit  $CO_i$  (D2i) will be reseted too.

If the line driver  $i$  is in the terminal overload state the rising edge of the read signal has no effect on the interrupt bit.

The internal interrupts  $\overline{INT}_0 - \overline{INT}_3$  are anded to the open drain output pin  $\overline{INT}$ . So the interrupt pin stays active low until all interrupt bits  $\overline{INT}_i$  are reseted.

**Absolute Maximum Ratings**

Parameter	Symbol	Limit Values		Unit
		min.	max.	
$V_{BAT}$ referred to GND	$V_{BAT}$	- 70	0.3	V
$V_{CC}$ referred to GND	$V_{CC}$	- 0.5	6	V
Voltage on pins aF0 - aF3	$V_F$	$V_{BAT}$	$V_{CC}$	V
Continuous current on pins aF0 - aF3 only one channel	$I_F$		200	mA
all channels at the same time; $T_A = 25\text{ °C}$			150	mA
all channels at the same time; $T_A = 70\text{ °C}$			130	mA
Reverse current on pins at aF0 - aF3	$I_F$	0	0	mA
Voltage on any other pins referred to GND	$V_I$	- 0.5	$V_{CC} + 0.5$	V
Power dissipation	$P_D$		1	W
Ambient temperature under bias	$T_A$	- 25	85	°C
Storage temperature	$T_{sig}$	- 40	125	°C
Thermal resistance system to case	$R_{th SA}$		50	K/W

**Operating Range**

Operating voltage referred to GND	$V_{BAT}$	- 60	- 12	V
Digital supply voltage referred to GND	$V_{CC}$	4.75	5.25	V
Ambient temperature	$T_A$	0	70	°C

**DC Characteristics**
 $T_A = 0 \text{ to } 70 \text{ }^\circ\text{C}; V_{BAT} = -12 \text{ to } -60 \text{ V}, V_{CC} = 5 \text{ V}, \text{GND} = 0 \text{ V}$ 

Parameter	Symbol	Limit Values			Unit	Test Condition
		min.	typ.	max.		

**Supply**

Supply current	$I_{VBAT}$			200	$\mu\text{A}$	$a_{F0.3} = \text{OFF}$
Digital supply current	$I_{VCC}$		5	10	$\text{mA}$	

**Line Drivers**

Current control limit	$I_{max}$	60		90	$\text{mA}$	$R_I = 12 \text{ k}\Omega$
Current control limit	$I_{max}$	120		185	$\text{mA}$	$R_I = 5.6 \text{ k}\Omega$
Current limiting factor ( $I_{aFi}$ )	$I_{lim}/I_{max}$	1.5		5		
Turn on resistance ( $V_{BAT}$ to aFi)	$R_{DSon}$		7	9	$\Omega$	$I_{aF} = 50 \text{ mA}$ $T_A = 25 \text{ }^\circ\text{C}$

**Logic**

L-input voltage	$V_{IL}$			0.8	$\text{V}$	
H-input voltage	$V_{IH}$	2.0			$\text{V}$	
L-output voltage	$V_{OL}$			0.45	$\text{V}$	$I_O = 2 \text{ mA}$
H-output voltage	$V_{OH}$	2.4			$\text{V}$	$I_O = -1 \text{ mA}$

**AC Characteristics**
 $T_A = 25\text{ }^\circ\text{C}$ ;  $V_{BAT} = -12\text{ to }-60\text{ V}$ ,  $V_{CC} = 5\text{ V}$ ,  $GND = 0\text{ V}$ 

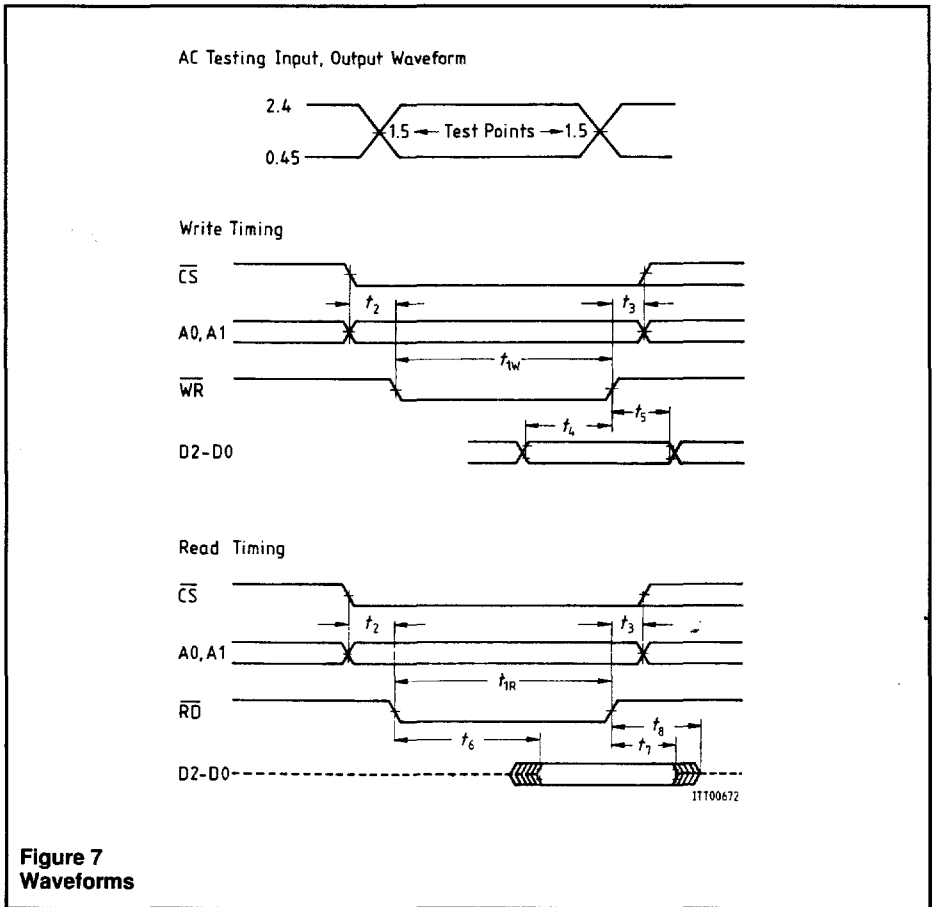
Parameter	Symbol	Limit Values			Unit	Test Condition
		min.	typ.	max.		

**Line Driver & Current Control**

Delay: ON-command to turn on line driver	$t_{ON}$			0.2	ms	for resistive loads
Delay: ON-command to turn off line driver	$t_{OFF}$			1	ms	for resistive loads
$C_T$ charge current	$I_{CLC}$	100	120	140	$\mu\text{A}$	till $t_{OFF1}$
Current limiting time	$t_{OFF1}$	0.15	0.2	0.25	s	$C_T = 10\text{ }\mu\text{F}$
Current control recovery time	$t_{OFF3}$			3	s	$C_T = 10\text{ }\mu\text{F}$
Current control reset time	$t_{OFF4}$	7	10	15	s	$C_T = 10\text{ }\mu\text{F}$
Automatic restart period	$t_{AR}$	7	10	15	s	$C_T = 10\text{ }\mu\text{F}$

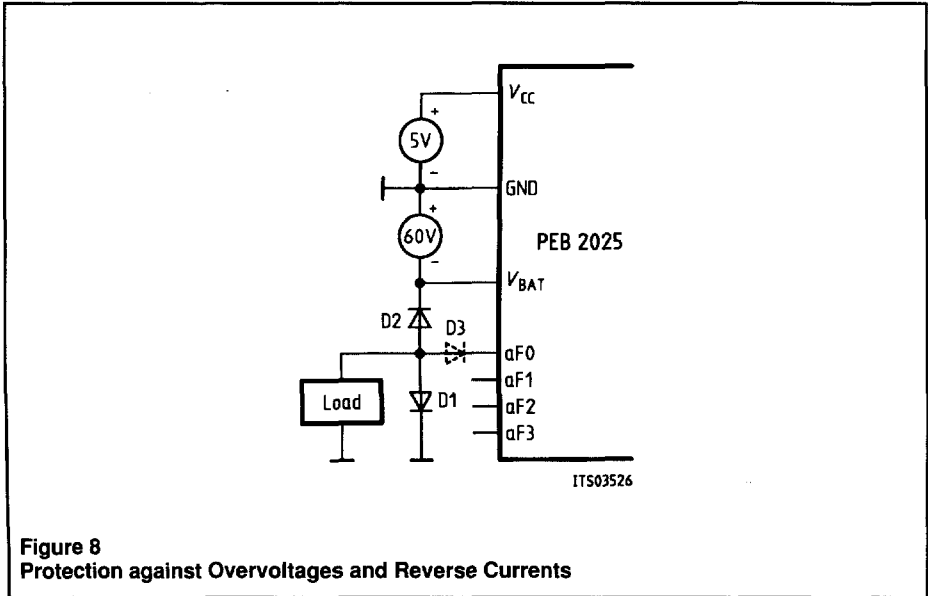
**Switching Times**

Parameter	Symbol	Limit Values			Unit	Test Condition
		min.	typ.	max.		
$\overline{RD}$ pulse width	$t_{1R}$	350			ns	
$\overline{WR}$ pulse width	$t_{1W}$	180			ns	
Address and $\overline{CS}$ setup time to $\overline{RD} \downarrow$ or $\overline{WR} \downarrow$	$t_2$	0			ns	
Address and $\overline{CS}$ hold time after $\overline{RD} \downarrow$ or $\overline{WR} \downarrow$	$t_3$	30			ns	
Data setup time to $\overline{WR} \uparrow$	$t_4$	60			ns	
Data hold time after $\overline{WR} \uparrow$	$t_5$	100			ns	
Data valid after $\overline{RD} \downarrow$	$t_6$			350	ns	
Data valid after $\overline{RD} \uparrow$	$t_7$	50			ns	
Data bus inactive after $\overline{RD} \uparrow$	$t_8$			120	ns	
Reset pulse width	$t_{RES}$	5			$\mu\text{s}$	



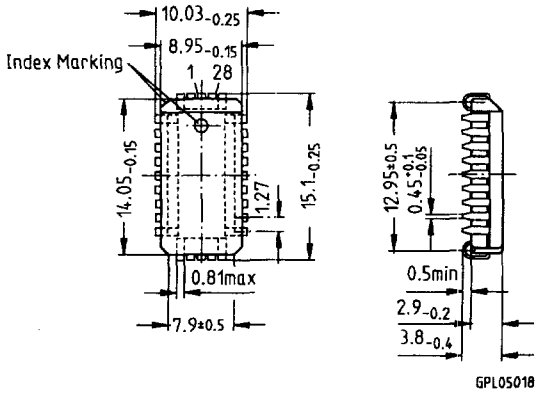
### Protection Requirements

According to the absolute maximum ratings of the IEPC, the PEB 2025 has to be protected against overvoltage spikes coming in on aFi. This is done by the diodes D1 and D2 in **figure 8**. In some applications it could be necessary to protect the IEPC output aFi against reverse by using diode D3.

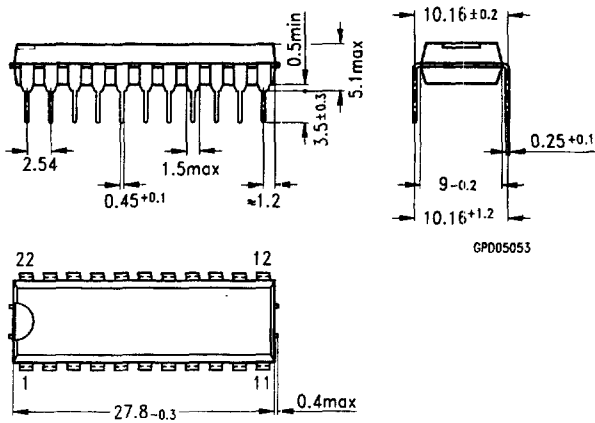


**Figure 8**  
Protection against Overvoltages and Reverse Currents

**Plastic Leaded Chip Carrier, P-LCC-28-R (SMD)**



**Plastic Dual In-Line Package, P-DIP-22**



**SMD = Surface Mounted Device**

Dimension in mm

# Top Tech Semiconductors - Worldwide

**(A)**

Siemens AG Österreich  
Postfach 326  
**1031 Wien**  
☎ (01) 71711-5661  
☎ 1372-10  
FAX (01) 71711-5973

**(AUS)**

Siemens Ltd., Head Office  
544 Church Street  
**Richmond (Melbourne), Vic. 3121**  
☎ (03) 4207111, ☎ 30425  
FAX (03) 4207275

**(B)**

Siemens S.A.  
chaussée de Charleroi 116  
**1060 Bruxelles**  
☎ (02) 536-2111, ☎ 21347  
FAX (02) 536-2492

**(BR)**

ICOTRON S.A.  
Indústria de Componentes  
Eletrônicos  
Avenida Mutinga, 3650-62 andar  
**05150 São Paulo-SP**  
☎ (011) 833-2211  
☎ 11-81001  
FAX (011) 831-4006

**(CAN)**

Siemens Electric Limited  
Electronic Components Division  
1180 Courtney Park Drive  
**Mississauga, Ontario L5T 1P2**  
☎ (416) 5641995  
☎ (069) 68841  
FAX (416) 670-6563

**(CH)**

Siemens-Albis AG  
Freilagerstraße 28  
**8047 Zürich**  
☎ (01) 495-3111, ☎ 823781-23  
FAX (01) 495-5050

**(D)**

Siemens AG  
Salzufer 6-8  
**1000 Berlin 10**  
☎ (030) 3993-0  
☎ 17308196 sieznvb  
FAX (030) 3993-2490  
Ttx 308196 = sieznvb

Siemens AG  
Lahnweg 10  
Postfach 1115  
**4000 Düsseldorf 1**  
☎ (0211) 399-0  
Ttx 21134401  
FAX (0211) 399-1481

Siemens AG  
Rödelheimer Landstraße 5-9  
Postfach 111733  
**6000 Frankfurt 1**  
☎ (069) 797-0  
☎ 4141650  
FAX (069) 797-2582

Siemens AG  
Lindenplatz 2  
Postfach 105609  
**2000 Hamburg 1**  
☎ (040) 2689-0  
☎ 215584-0  
FAX (040) 2889-3096

Siemens AG **Hannover**  
Hildesheimer Str. 7  
Postfach 110551  
3014 Laatzen  
☎ (0511) 877-0  
☎ 922333  
FAX (0511) 877-2078

Siemens AG  
Richard-Strauss-Straße 76  
Postfach 202109  
**8000 München 80**  
☎ (089) 9221-4391, 4138  
☎ 529421-19  
FAX (089) 9221-4692  
Ttx 8985084

Siemens AG  
Von-der-Tann-Straße 30  
Postfach 4844  
**8500 Nürnberg 1**  
☎ (0911) 654-0  
☎ 622251-0  
FAX (0911) 654-6505

Siemens AG  
Geschwister-Scholl-Straße 24  
Postfach 106026  
**7000 Stuttgart 1**  
☎ (0711) 2076-0  
☎ 723941-50  
FAX (0711) 2076-2448

**(DK)**

Siemens A/S  
Borupvang 3  
**2750 Ballerup**  
☎ (44) 774477, ☎ 1258222  
FAX (44) 774017

**(E)**

Siemens S.A.  
Departamento de Componentes  
Orense, 2  
Apartado 155  
**28020 Madrid**  
☎ (01) 5552500, ☎ 44191  
FAX (01) 5565408

**(F)**

Siemens S.A.  
39/47, Bd. Ornano  
**93527 Saint-Denis CEDEX 2**  
☎ (1) 49223100, ☎ 234077  
FAX (1) 49223970

**(GB)**

Siemens plc  
Siemens House  
Windmill Road  
Surrey on Thames  
**Middlesex TW16 7HS**  
☎ (0932) 752022, ☎ 8951091  
FAX (0932) 752635

**(GR)**

Siemens AE  
Paradissou & Artemidos  
P.O.B. 61011  
**15110 Amaroussio/Athen**  
☎ (01) 6864111, ☎ 216292  
FAX (01) 6864299

**(HK)**

Schmidt & Co. (H.K.) Ltd.  
18/Fl., Great Eagle Centre  
23 Harbour Road  
Wanchai  
**Hong Kong**  
☎ 852/8330222  
☎ 74766 schmc hx  
FAX 8382652

**(I)**

Siemens S.p.A.  
Div. Componenti, Impiante per  
la Grafica e il Segnalamento  
Via Fabio Filzi, 25/A  
Casella Postale 10388  
**20110 Milano**  
☎ (02) 6766-1, ☎ 330261  
FAX (02) 6766-4395



**(IND)**

Siemens Ltd.  
Head Office  
134-A, Dr. Annie Besant Road, Worli  
P.O.B. 6597  
**Bombay 400018**  
☎ (022) 4938786, (F) 1175142  
FAX (022) 4940240

**(IRL)**

Siemens Limited  
Electronic Components Division  
8 Raglan Road  
**Dublin 4**  
☎ (01) 684727, (F) 93744  
FAX (01) 684633

**(J)**

Fuji Electronic Components Ltd.  
New Yurakucho Bldg., 8F  
12-1 Yurakucho 1-Chome,  
Chiyoda-ku  
**Tokyo 100**  
☎ (03) 201-2401, (F) 32182  
FAX (03) 201-6809

**(N)**

Siemens A/S  
Østre Aker vei 90  
Postboks 10, Veitvet  
**0518 Oslo 5**  
☎ (02) 633000, (F) 78477  
FAX (02) 633805

**(NL)**

Siemens Nederland N.V.  
Postb. 16068  
**2500 BB Den Haag**  
☎ (070) 3333333, (F) 31373  
FAX (070) 3332790

**(P)**

Siemens S.A.  
Estrada Nacional 117, Km 2,6  
Alfragide  
**2700 Amadora**  
☎ (01) 4170011, (F) 62955  
FAX (01) 4172870

**(RA)**

Siemens S.A.  
Avenida Pte. Julio A. Roca 516  
Casilla Correo Central 1232  
**1067 Buenos Aires**  
☎ (01) 300411, (F) 21812  
FAX (01) 3319997

**(RC)**

Tai Engineering Co., Ltd.  
6th Fl., Central Building  
108, Chung Shan North Road, Sec.2  
P.O. Box 68-1882  
**Taipei 10449**  
☎ (02) 5234700  
(F) 27860 taiengco  
FAX (02) 5367070

**(ROK)**

Siemens Ltd.  
P.O.Box 3001  
**Seoul**  
☎ (02) 275-6111  
(F) 23229  
FAX (02) 2752170

**(S)**

Siemens Components  
Österögatan 1  
Box 46  
**S-164 93 Kista**  
☎ (08) 7033500, (F) 11672  
FAX (08) 7033501

**(SF)**

Siemens Osakeyhtiö  
P.O.B 60  
**02601 ESPOO**  
☎ (9) 0 51051, (F) 124465  
FAX (9) 0 51052398

**(SGP)**

Siemens Components Pte. Ltd.  
Promotion Office  
Blk 47 Ayer Rajah Crescent No.06-12  
**Singapore 0513**  
☎ 2550811, (F) RS 21000  
FAX 7770813, 7754504

**(TR)**

SIMKO Ticaret ve Sanayi A.S.  
Meclisi Mebusan Cad. No. 125  
PK. 1001, 80007 Karaköy  
**80040 Findikli**  
☎ (01) 1510900  
(F) 24233 sies tr  
FAX (01) 1524134

**(USA)**

Integrated Circuits;  
ASIC Products;  
Power Semiconductors:  
Siemens Components, Inc.  
Integrated Circuits Division  
2191 Laurelwood Road  
**Santa Clara, CA 95054-1514**  
☎ (408) 980-4500  
(F) 989791  
FAX (408) 980-4596

Optoelectronics:  
Siemens Components, Inc.  
Optoelectronics Division  
19000 Homestead Road  
**Cupertino, CA 95014**  
☎ (408) 257-7910  
(F) 352084 sie lit opto  
FAX (408) 725-3439

Discrete Semiconductors:  
Siemens Components, Inc.  
Special Products Division  
186 Wood Avenue South  
**Iselin, NJ 08830**  
☎ (201) 906-4300  
(F) 844491 sie isln a  
FAX (201) 632-2830

**(ZA)**

Siemens Limited  
Siemens House,  
P.O.B. 4583  
**Johannesburg 2000**  
☎ (011) 3151950, (F) 450091  
FAX (011) 3151968

02/92

Published by Semiconductor Group

Siemens Aktiengesellschaft



Top Tech  
Semiconductors.  
Siemens

Ordering No. B115-H6566-X-X-7600  
Printed in Germany  
DA 05925.