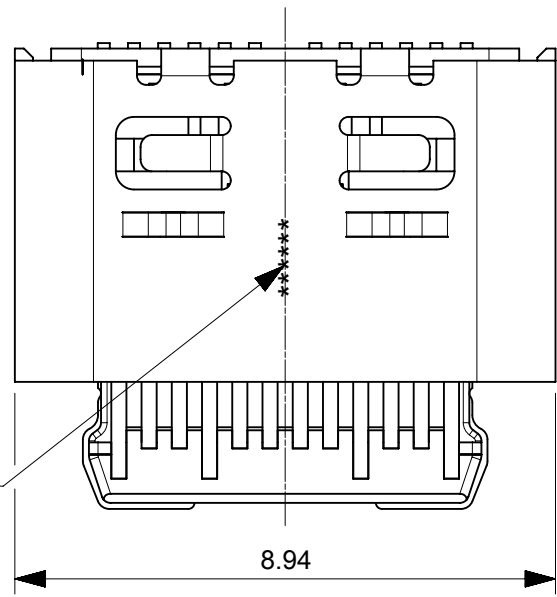
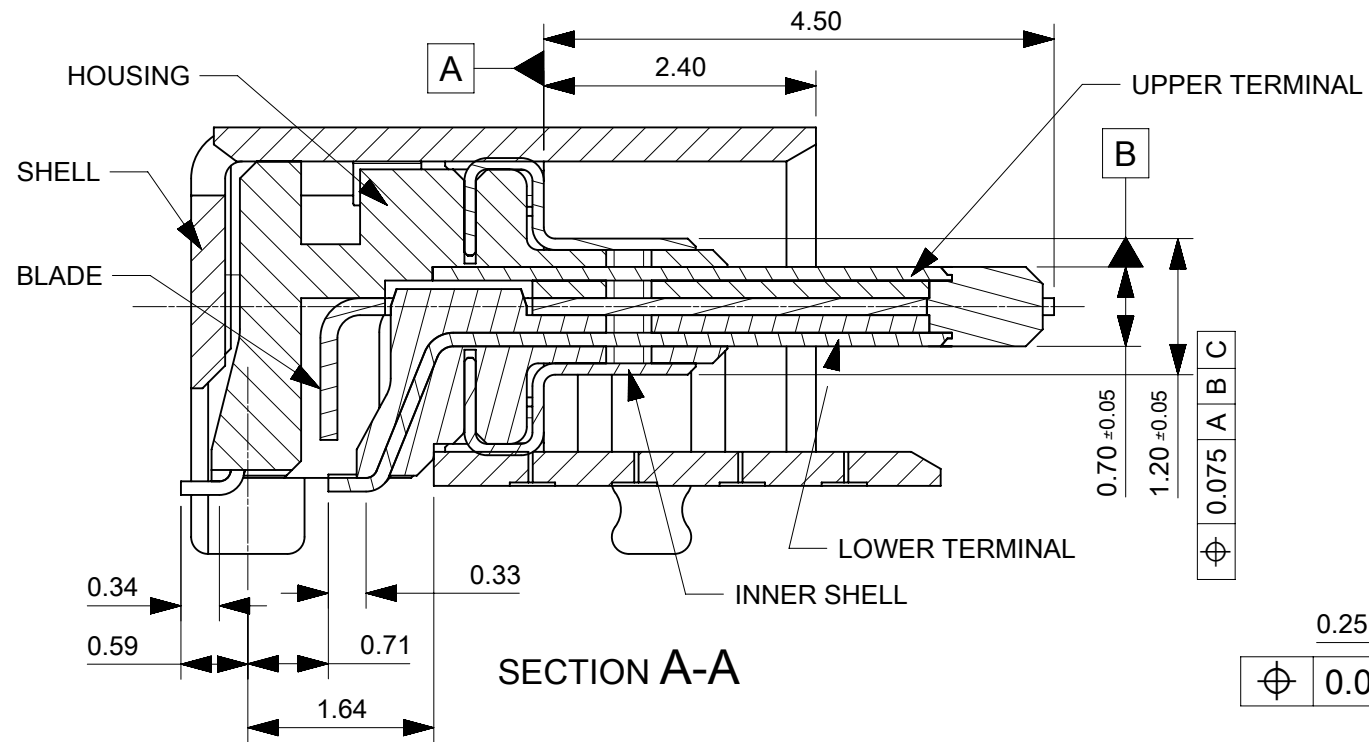


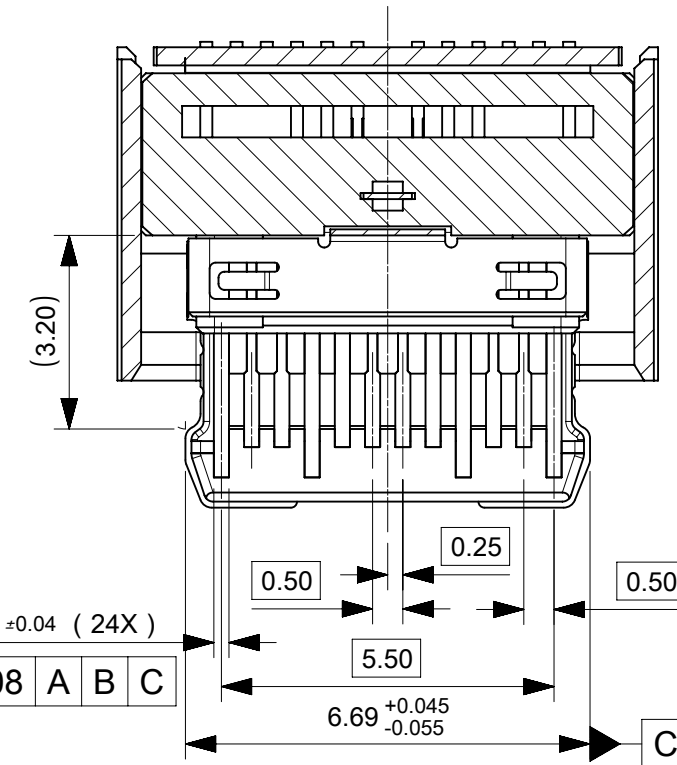
DATE CODE



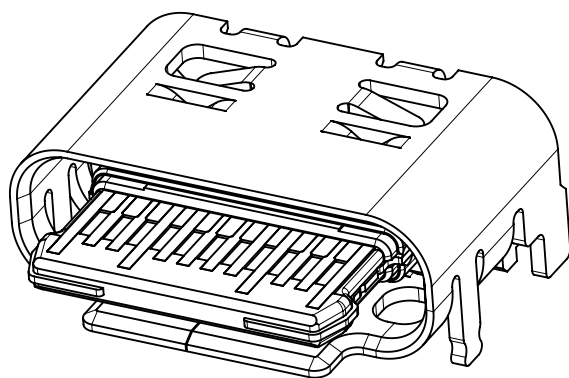
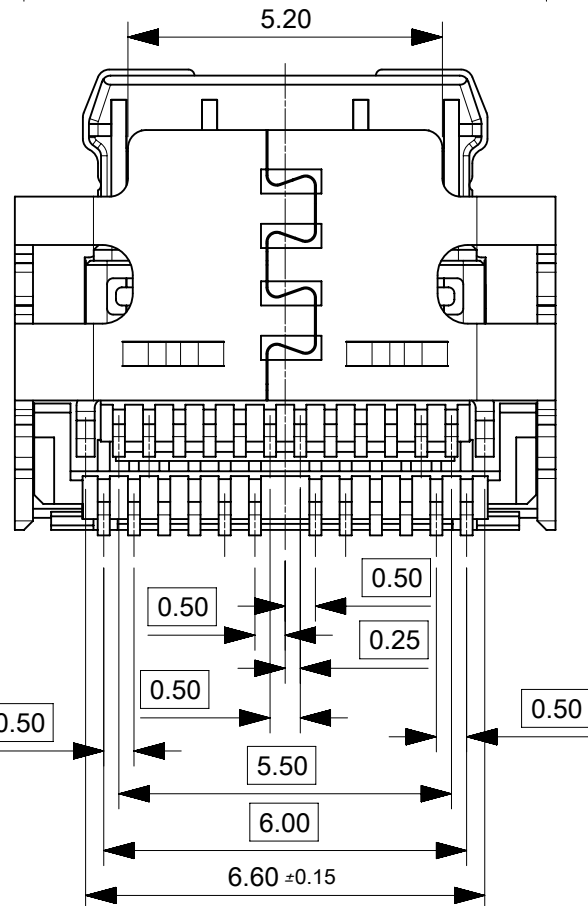
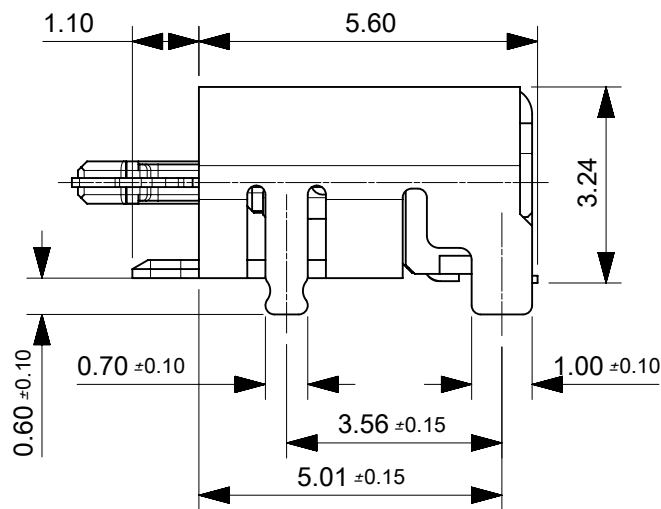
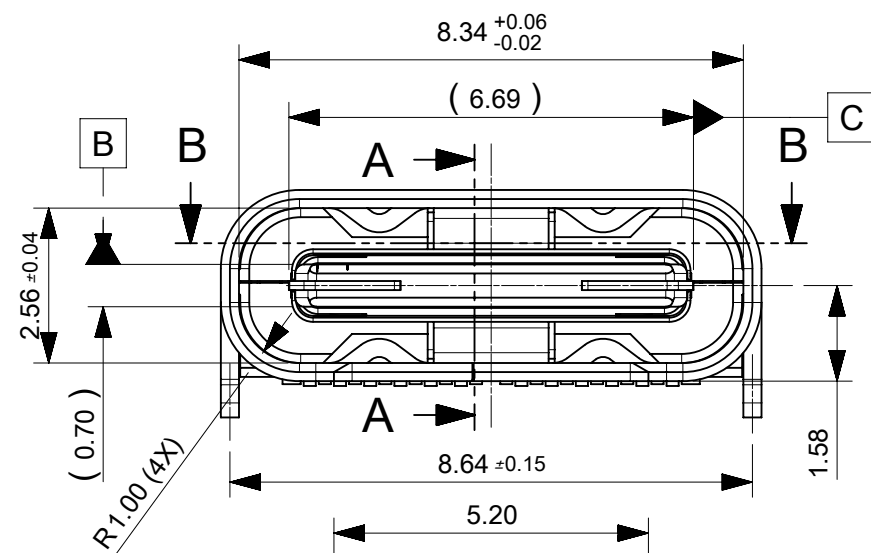
8.94



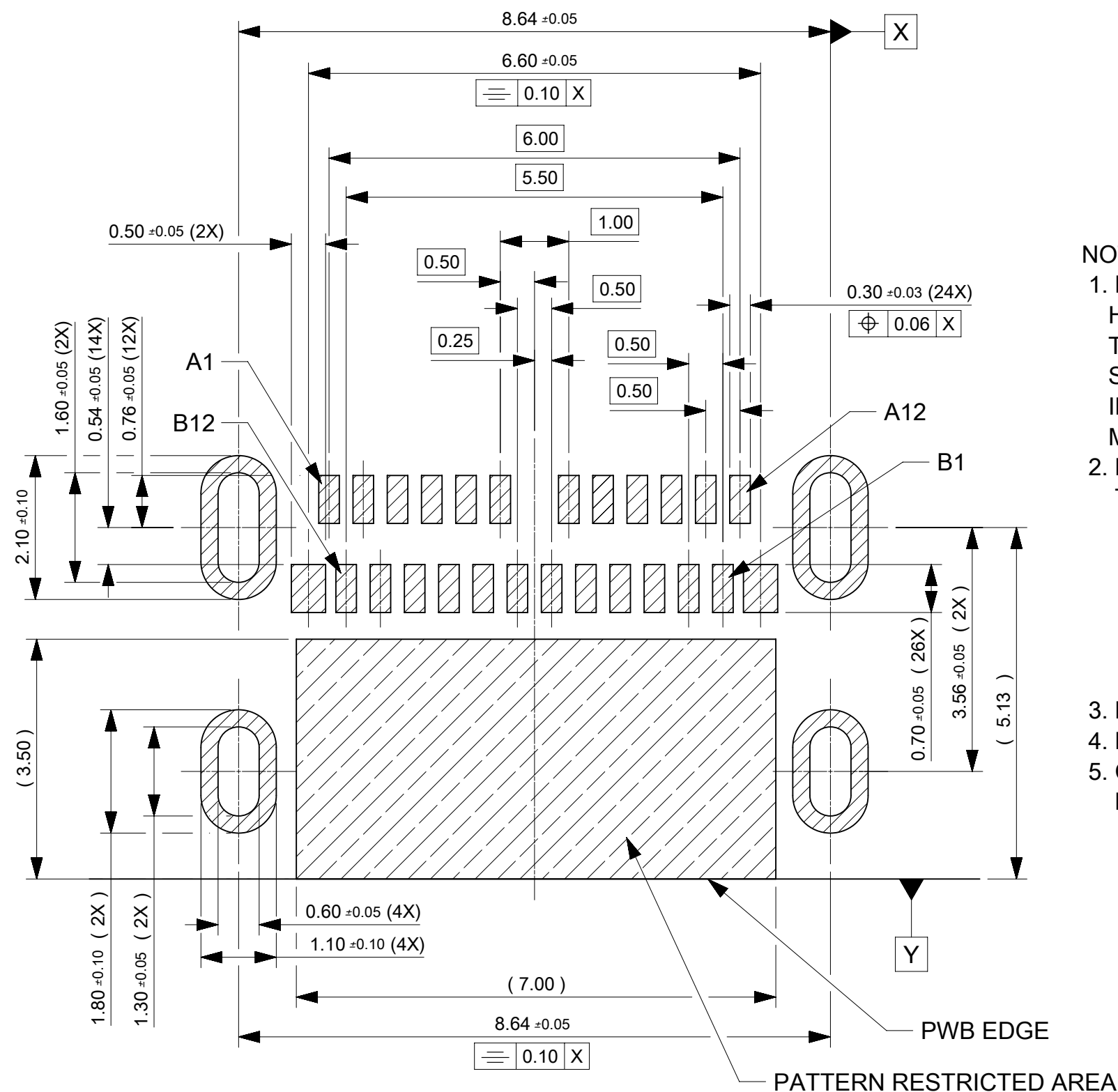
SECTION A-A



SECTION B-B



THIS DRAWING CONTAINS INFORMATION THAT IS PROPRIETARY TO MOLEX ELECTRONIC TECHNOLOGIES, LLC AND SHOULD NOT BE USED WITHOUT WRITTEN PERMISSION		CURRENT REV DESC:		molex	
DIMENSION UNITS	SCALE				
mm	8:1			USB TYPE C TOP MOUNT SHORT SHELL	
GENERAL TOLERANCES (UNLESS SPECIFIED)				PRODUCT CUSTOMER DRAWING	
ANGULAR TOL	± 3.0°	EC NO:	635595		
4 PLACES	±	DRWN:	RZHANG	2020/03/25	
3 PLACES	±	CHK'D:	AYIN	2020/04/10	
2 PLACES	± 0.2	APPR:	AYIN	2020/04/10	
1 PLACE	± 0.2	INITIAL REVISION:			
0 PLACES	±	DRWN:	RZHANG	2019/09/05	
DRAFT WHERE APPLICABLE MUST REMAIN WITHIN DIMENSIONS		THIRD ANGLE PROJECTION	DRAWING	SERIES	MATERIAL NUMBER
			A3-SIZE	105450	1054500011
		CUSTOMER		DOC TYPE	DOC PART
				PSD	000
				REVISION	A
				SHEET NUMBER	
				1 OF 2	



RECOMMENDED PWB LAYOUT (TOP VIEW)

NOTES:

- MATERIAL,
HOUSING: HIGH TEMPERATURE THERMAL PLASTIC , GLASS FILLED, BLACK, UL94V-0.
TERMINAL: COPPER ALLOY
SHELL: STAINLESS STEEL
INNER SHELL: STAINLESS STEEL
MIDDLE BLADE: STAINLESS STEEL
- PLATING:
TERMINAL: CONTACT AREA:
GOLD FLASH OVER 0.76 MICROMETER MIN. PALLADIUM/NICKEL PLATING
AND SOLDER TAIL: 0.05 MICROMETER MIN. GOLD PLATING
UNDER PLATING: 2 MICROMETER MIN. NICKEL PLATING OVERALL
SHELL: 1 MICROMETER MIN. SOLDERABLE NICKEL PLATING OVERALL
MIDDLE BLADE: 2MICRON MIN.TIN PLATING ON THE SOLDER TAIL
AND 1 MICROMETER NICKEL PLATING OVERALL
- PRODUCT SPEC REFER TO PS-105448-001
- PACKAGE SPEC REFER TO 1054508811
- COPLANARITY OF SMT PINS SOLDER TAIL IS 0.10 MAX.
BEFORE AND AFTER REFLOW

PIN ASSIGNMENT													
A1	A2	A3	A4	A5	A6	A7	A8	A9	A10	A11	A12	BLADE	SHELL
GND	TX1+	TX1-	VBUS	CC1	D+	D-	SBU1	VBUS	RX2-	RX2+	GND		
												GND	GND
GND	RX1+	RX1-	VBUS	SBU2	D-	D+	CC2	VBUS	TX2-	TX2+	GND		
B12	B11	B10	B9	B8	B7	B6	B5	B4	B3	B2	B1		

THIS DRAWING CONTAINS INFORMATION THAT IS PROPRIETARY TO MOLEX ELECTRONIC TECHNOLOGIES, LLC AND SHOULD NOT BE USED WITHOUT WRITTEN PERMISSION															
DIMENSION UNITS	SCALE	CURRENT REV DESC:													
mm	13:1														
GENERAL TOLERANCES (UNLESS SPECIFIED)		EC NO: 635595										USB TYPE C TOP MOUNT SHORT SHELL			
ANGULAR TOL	± 3.0°	DRWN: RZHANG 2020/03/25													
4 PLACES	±	CHK'D: AYIN 2020/04/10										PRODUCT CUSTOMER DRAWING			
3 PLACES	±	APPR: AYIN 2020/04/10													
2 PLACES	± 0.2	INITIAL REVISION:										DOCUMENT NUMBER	DOC TYPE	DOC PART	REVISION
1 PLACE	± 0.2	DRWN: RZHANG 2019/09/05										1054500011	PSD	000	A
0 PLACES	±	APPR: AYIN 2020/04/10													
DRAFT WHERE APPLICABLE MUST REMAIN WITHIN DIMENSIONS	THIRD ANGLE PROJECTION	DRAWING	SERIES	MATERIAL NUMBER	CUSTOMER	SHEET NUMBER									
		A3-SIZE	105450	1054500011		2 OF 2									