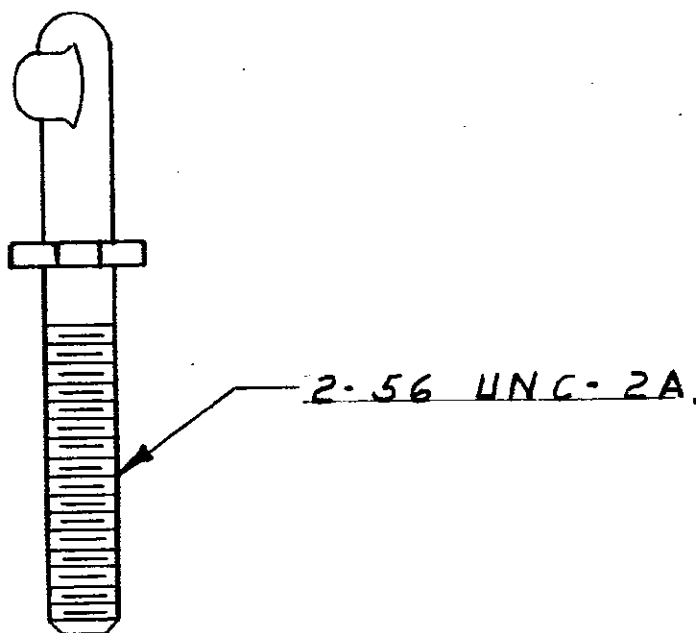
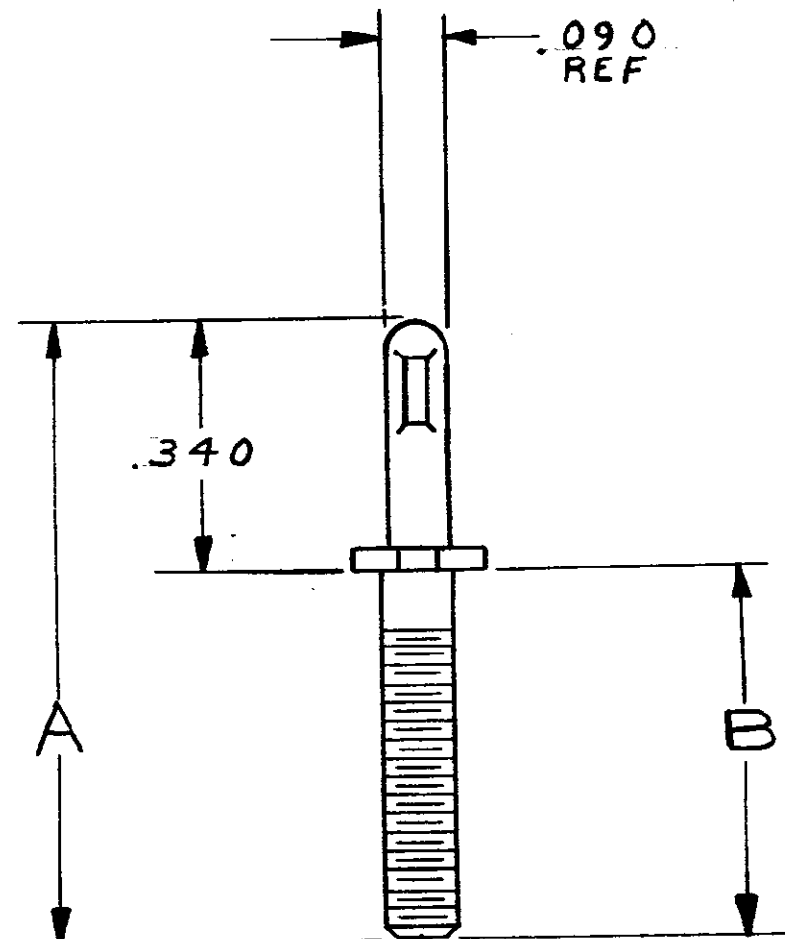


DRAWING MADE IN THIRD ANGLE PROJECTION

© COPYRIGHT 19 BY AMP INCORPORATED, HARRISBURG, PA.
ALL INTERNATIONAL RIGHTS RESERVED. AMP INCORPORATED PRODUCTS
COVERED BY U. S. AND FOREIGN PATENTS AND/OR PATENTS PENDING.

1 LOC AB DIST 39

REVISIONS					
F	ZONE	LTR	DESCRIPTION	DATE	APPROVED
		A	REVISED 7086	12/23/80	WHP
A1		A1	REVISED & ADDED - 2	4/18/84	DLH
		A2	ADD - 3: AB-1690	7-86	WHP
		A3	ECN AB1865	10/15/88	RKS
		B	ECO-11-023008	12-11	DM
		C	ECO-12-019992	11-12	DM



.375 REF	.715	531713-5
.0875	.4275	531713-4
.280 REF	.620	531713-3
.410 REF	.750	531713-2
.500 REF	.840	531713-1
B	A	PART NO

1. TO BE USED WITH INSERT P/N 531714-1
OR 532782-1 OR -2.

UNLESS OTHERWISE SPECIFIED DIMENSIONS ARE IN INCHES. TOLERANCES ON: DECIMALS ±.005 ANGLES ±	CONTRACT NO 5-29-80	AMP INCORPORATED Harrisburg, Pa.	
	DR. <i>M. Smith</i>	NAME COMBINATION GUIDE, KEYING PIN	
MATERIAL STAINLESS STEEL	CHK. <i>M. Pritchard</i> 7/2/80	SIZE B	CODE IDENT NO 00779
FINISH PASSIVATED	APPD. <i>M. Pritchard</i> 7/2/80	DRAWING NO 531713	REV C
	APPD. <i>F. Parsons</i> 5/24/80	SCALE 4:1	SHEET
	DSGN APPD		
	OTHER APPD		

CUSTOMER DRAWING