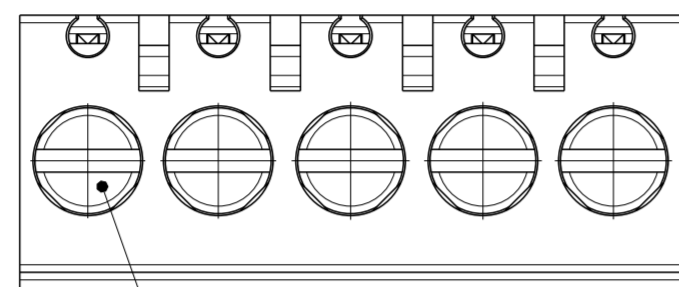
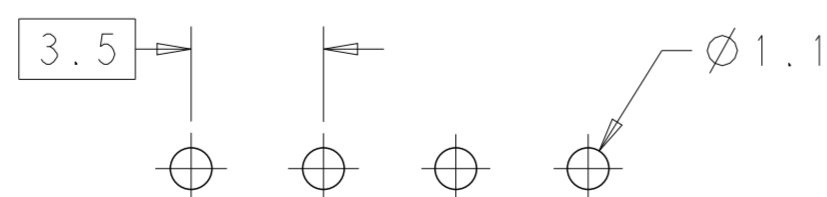
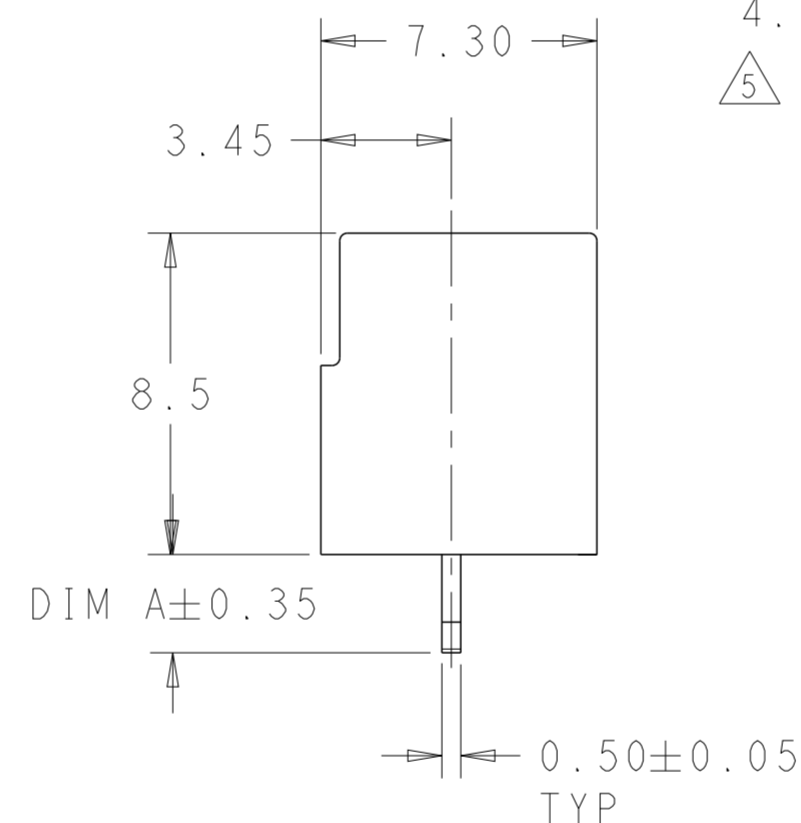
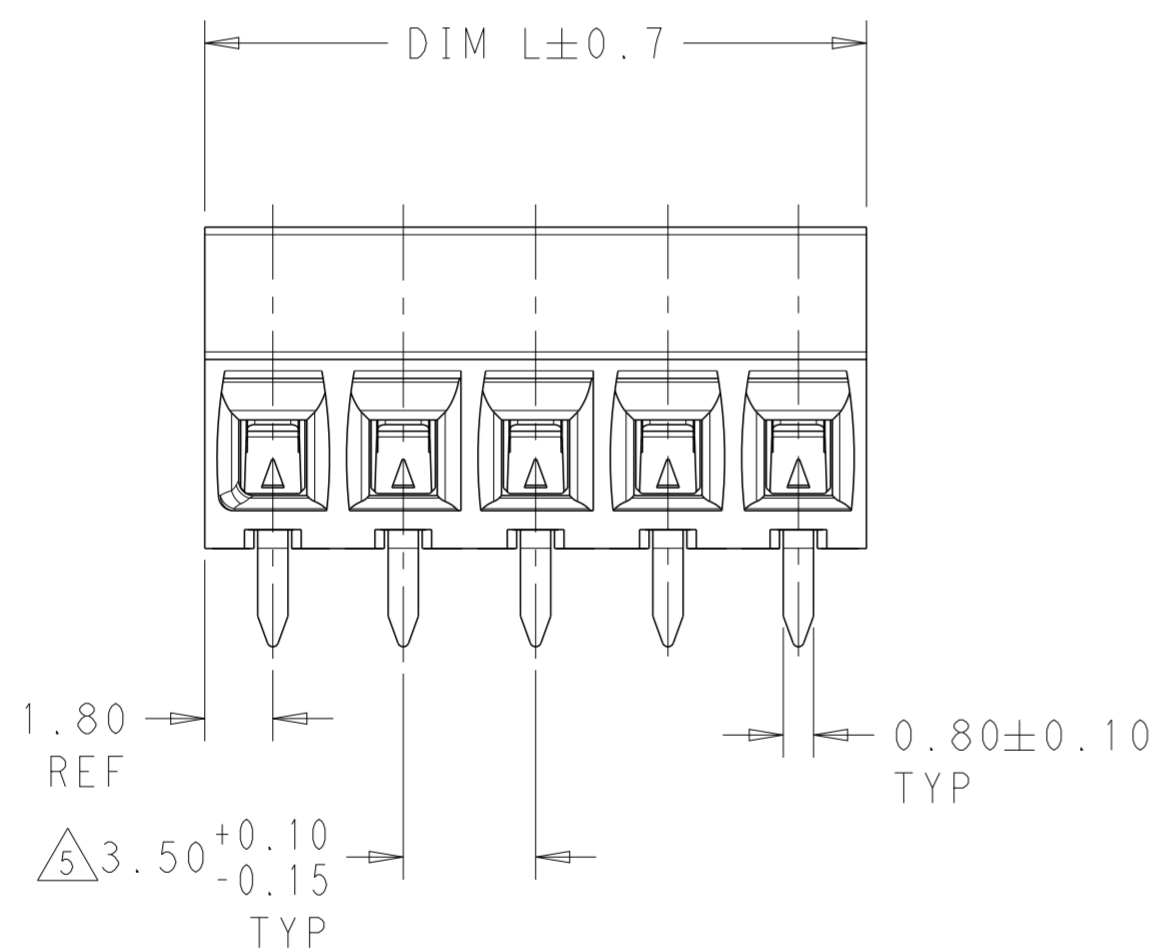


THIS DRAWING IS UNPUBLISHED. RELEASED FOR PUBLICATION 20
 © COPYRIGHT 20 BY - ALL RIGHTS RESERVED.

LOC		DIST		REVISIONS			
P	LTR	DESCRIPTION	DATE	DWN	APVD		
	P1	DRAFTING CORRECTION	22AUG2019	RK	PS		



CLAMPING SCREW



RECOMMENDED PC BOARD LAYOUT

- MATERIALS AND FINISH:
 - HOUSING : HIGH TEMPERATURE POLYAMIDE, UL 94V-0, COLOR: BLACK.
 - TERMINAL : COPPER ALLOY, TIN PLATED.
 - CLAMP : COPPER ALLOY, NICKEL PLATED.
 - CLAMPING SCREW : COPPER ALLOY, NICKEL PLATED.
 - MECHANICAL
 - WIRE STRIPPING LENGTH : 5.0-6.0 mm
 - MIN. PC BOARD HOLES DIAMETER : 1.1 mm
 - MAX. PC BOARD THICKNESS : 2.4 mm
 - RECOMMENDED TIGHTENING TORQUE FOR SCREW : 0.2 Nm.
 - ELECTRICAL
 - WIRE RANGE : 16-28 AWG
 - RATED VOLTAGE : 300 V
 - RATED CURRENT : 12 A
 - CONTACT RESISTANCE : <15 m Ohm
 - INSULATION RESISTANCE : >1000 M Ohm (500V DC)
 - OPERATING TEMPERATURE RANGE: -40°C TO +105°C
- △ TOLERANCE NOT CUMULATIVE.

3.50	14.00	4	2-1776112-4
3.50	10.50	3	2-1776112-3
3.50	7.00	2	2-1776112-2
2.60	14.00	4	1776112-4
2.60	10.50	3	1776112-3
2.60	7.00	2	1776112-2
DIM A	DIM L	NO OF POS	PART NUMBER

THIS DRAWING IS A CONTROLLED DOCUMENT.		DWN	19 JAN 2010	S. SCHLEGEL	
DIMENSIONS: mm		CHK <td>19 JAN 2010 <td colspan="2">C. RICHARD</td> </td>	19 JAN 2010 <td colspan="2">C. RICHARD</td>	C. RICHARD	
TOLERANCES UNLESS OTHERWISE SPECIFIED:		APVD <td>19 JAN 2010 <td colspan="2">C. RICHARD</td> </td>	19 JAN 2010 <td colspan="2">C. RICHARD</td>	C. RICHARD	
0 PLC ±		PRODUCT SPEC <td colspan="3">-</td>	-		
1 PLC ±0.3		APPLICATION SPEC <td colspan="3">-</td>	-		
2 PLC ±0.25		WEIGHT <td colspan="3">-</td>	-		
3 PLC ±		CUSTOMER DRAWING <td colspan="3">-</td>	-		
4 PLC ±		SCALE <td colspan="3">5:1</td>	5:1		
ANGLES ±		SHEET <td colspan="3">1 OF 1</td>	1 OF 1		
FINISH ±		REV <td colspan="3">P1</td>	P1		

TE Connectivity

TERMINAL BLOCK, PCB MOUNT, STRAIGHT,
8.5mm PROFILE, SIDE WIRE ENTRY,
3.5mm PITCH

SIZE	CAGE CODE	DRAWING NO	RESTRICTED TO
A2	00779	C-1776112	-